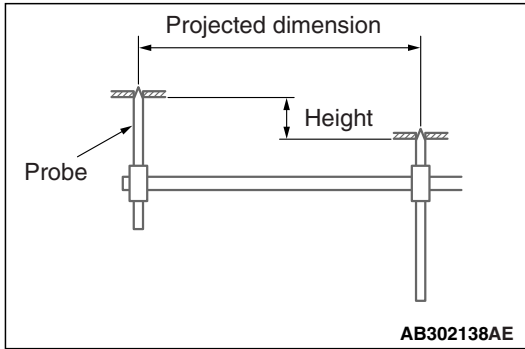

GROUP 2**BODY DIMENSIONS****CONTENTS**

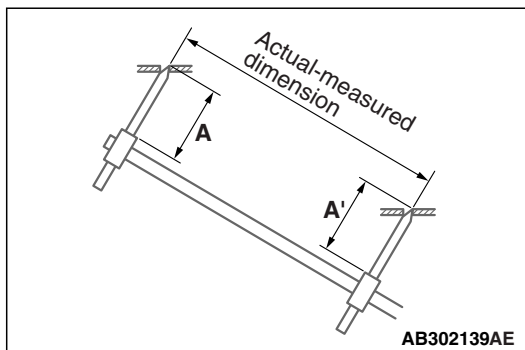
BODY DIMENSIONS AND MEASUREMENT METHODS	2-2	TYPE B (ACTUAL-MEASUREMENT DIMENSIONS)	2-10
TYPE A (PROJECTED DIMENSIONS)	2-4	UNDER BODY	2-10
UNDER BODY	2-4	SUSPENSION INSTALLATION DIMENSIONS	2-12
SUSPENSION INSTALLATION DIMENSIONS	2-8	FRONT BODY	2-14
		SIDE BODY	2-18
		REAR BODY	2-20
		INTERIOR	2-22

BODY DIMENSIONS AND MEASUREMENT METHODS

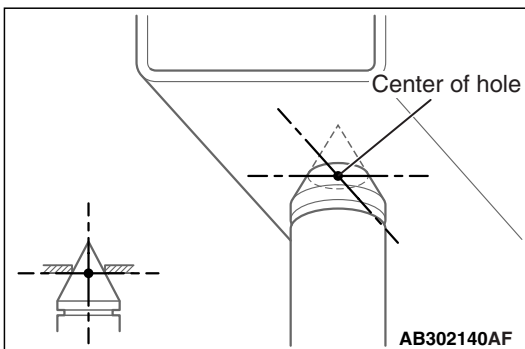
M4020001000448



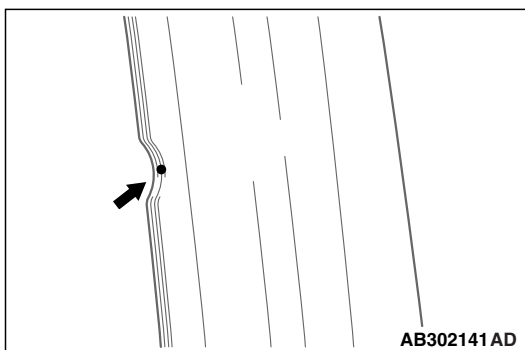
- Type A (projected dimensions) is the dimension when a measurement location is projected onto the plane.
NOTE: The height indicates a distance from the assumed standard line established 100 mm (3.9in) below the lowest measurement point.



- Type B (actual-measurement dimensions) is the actual distance between the measurement points. Measure using a tracking gauge or a measuring tape, etc.
NOTE:
 - Make the lengths of the tracking gauge probes the same ($A=A'$).
 - Do not bend or twist the measuring tape.



- Insert the tracking gauge probes securely into the measurement holes.
- When the standard dimensions in the illustration are enclosed by rectangle, this indicates that the symmetrical left and right positions have the same dimensions.



- When using a notch for dimension measurement, set the measuring point at the center of the notch.
- The body center points are shown for the purpose of checking the position of the left and right symmetry location.

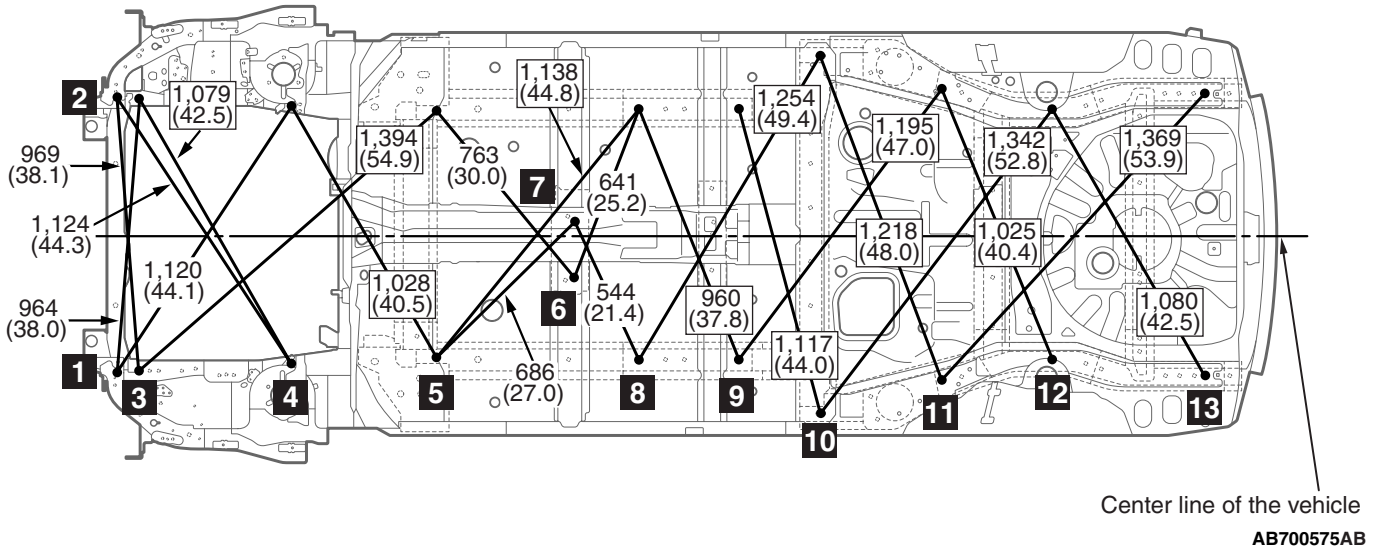
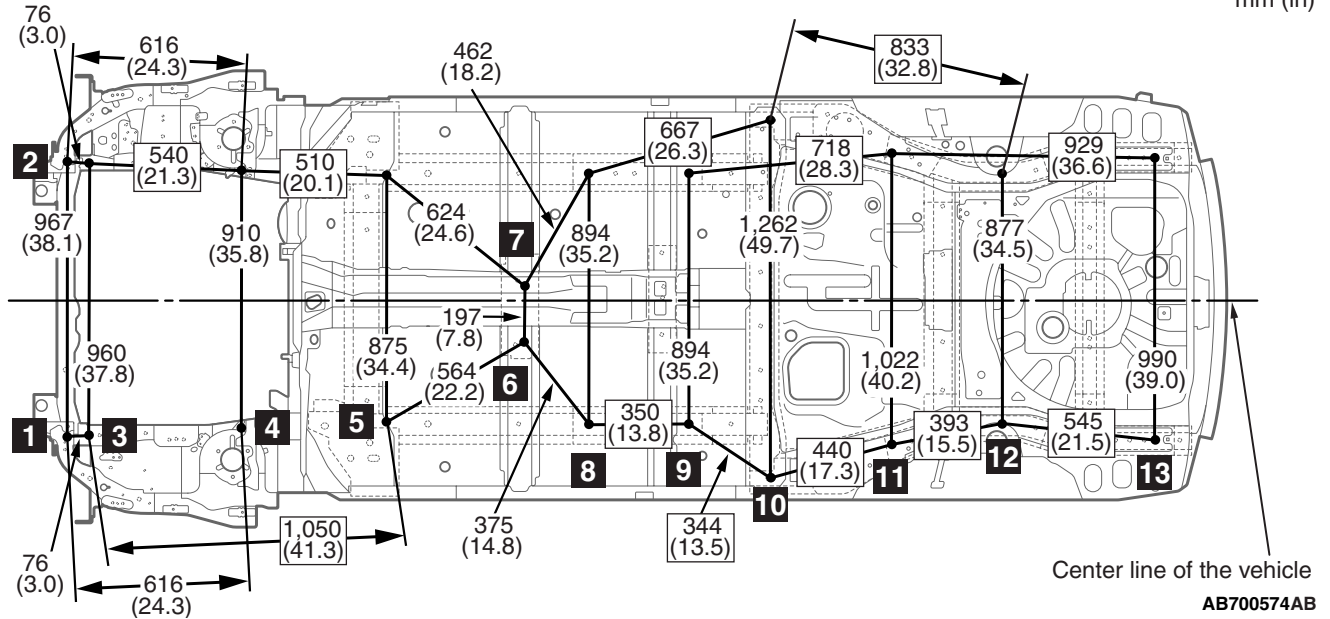
NOTES

TYPE A (PROJECTED DIMENSIONS)

UNDER BODY

M4020005002156

mm (in)

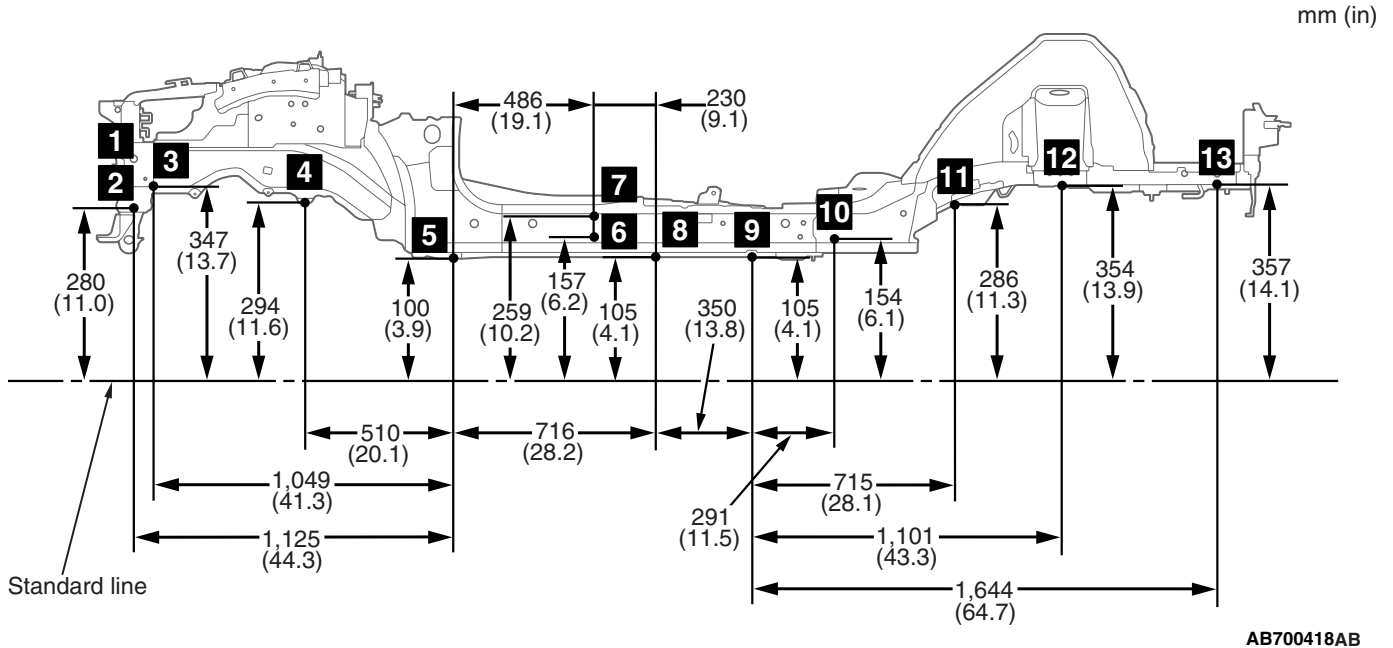


No.	Standard measurement point	Hole shape	Size mm (in)
1	Center of front end crossmember lower water draining hole (left side)	Round	8 (0.31)
2	Center of front end crossmember lower water draining hole (right side)	Round	8 (0.31)
3*	Center of front sidemember inner positioning hole	Round	25 (0.98)
4*	Center of front axle crossmember mounting hole (front)	Round	15.5 (0.61)
5*	Center of front sidemember rear water draining hole	Round	16 (0.63)
6	Center of propeller shaft mounting hole (left side)	Round	11 (0.43)
7	Center of propeller shaft mounting hole (right side)	Round	11 (0.43)
8*	Center of front floor sidemember positioning hole (front)	Round	16 (0.63)

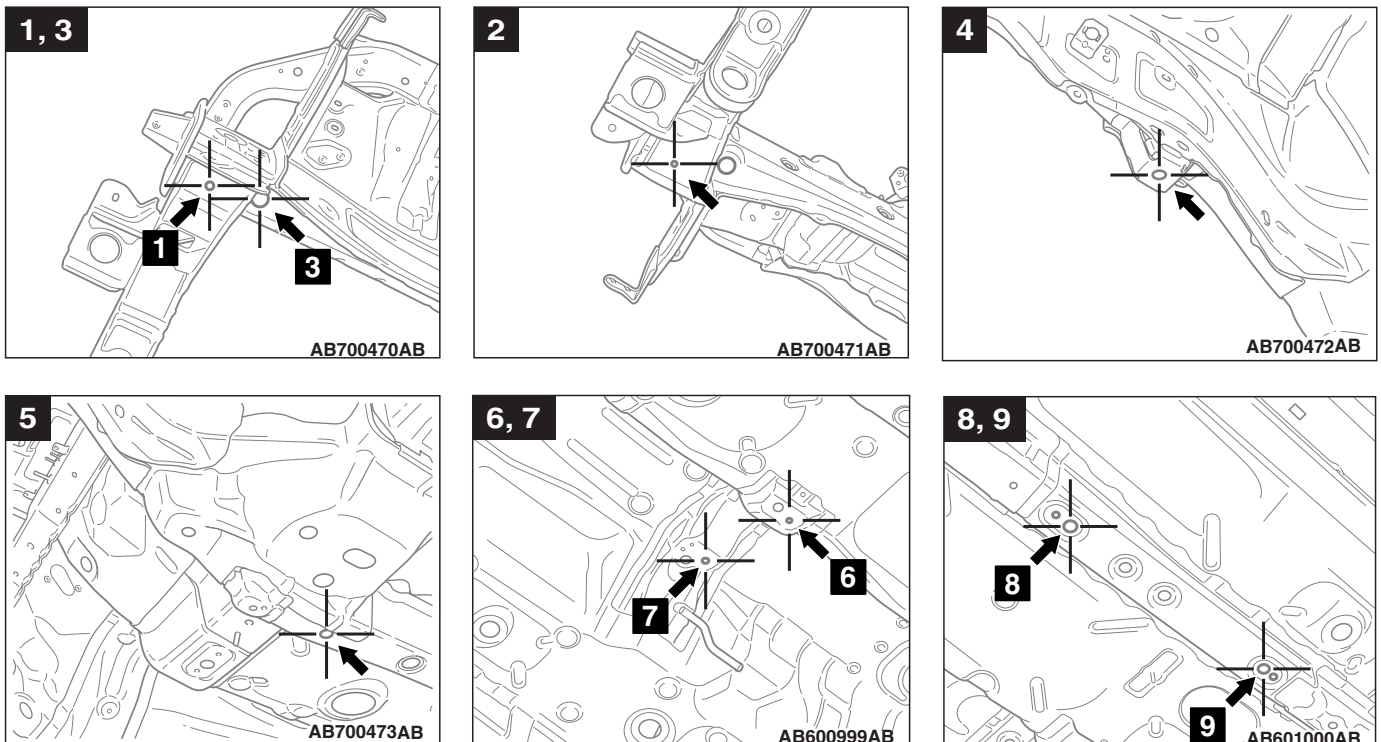
**BODY DIMENSIONS
TYPE A (PROJECTED DIMENSIONS)**

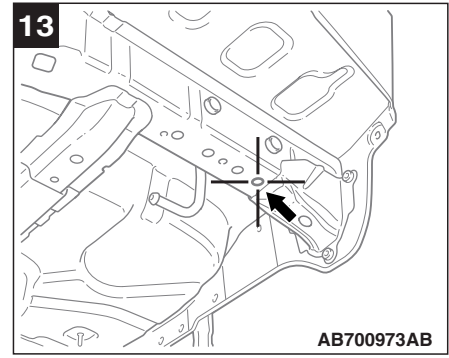
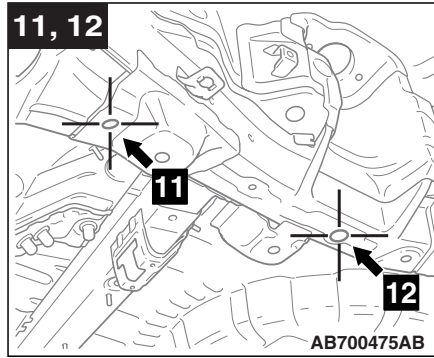
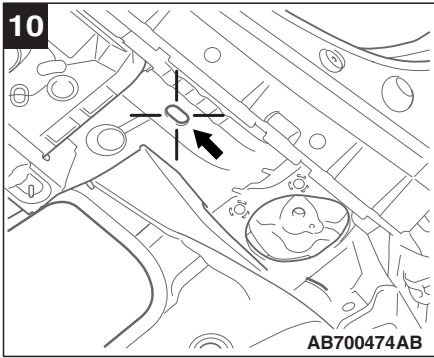
No.	Standard measurement point	Hole shape	Size mm (in)
9*	Center of front floor sidemember positioning hole (rear)	Round	16 (0.63)
10*	Center of rear floor sidemember lower positioning hole (front)	Oblong	33.9×18 (1.335×0.71)
11*	Center of rear suspension bracket front water draining hole	Round	16 (0.63)
12*	Center of rear floor sidemember lower positioning hole (rear)	Round	25 (0.98)
13*	Center of rear floor sidemember extension water draining hole (left side), Center of rear shipping bracket mounting hole (right side)	Round	14 (0.55)

*NOTE: The * mark indicates the mounting position for the frame centering gauge.*



NOTE: The assumed standard line is established 100 mm (3.9in) below the measurement point No.5.



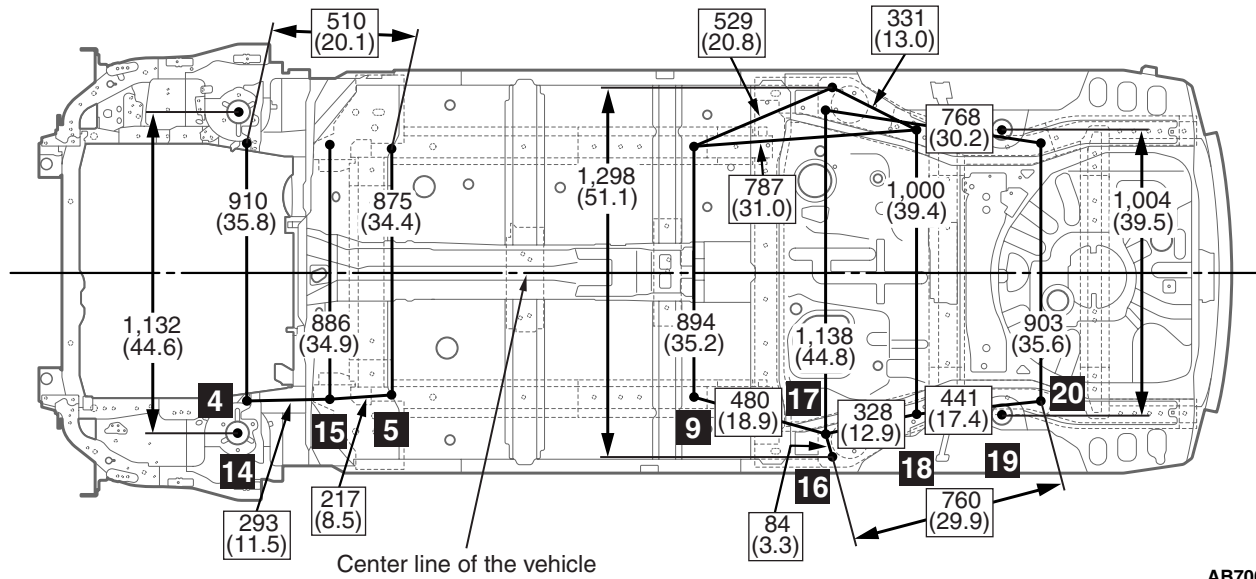


NOTES

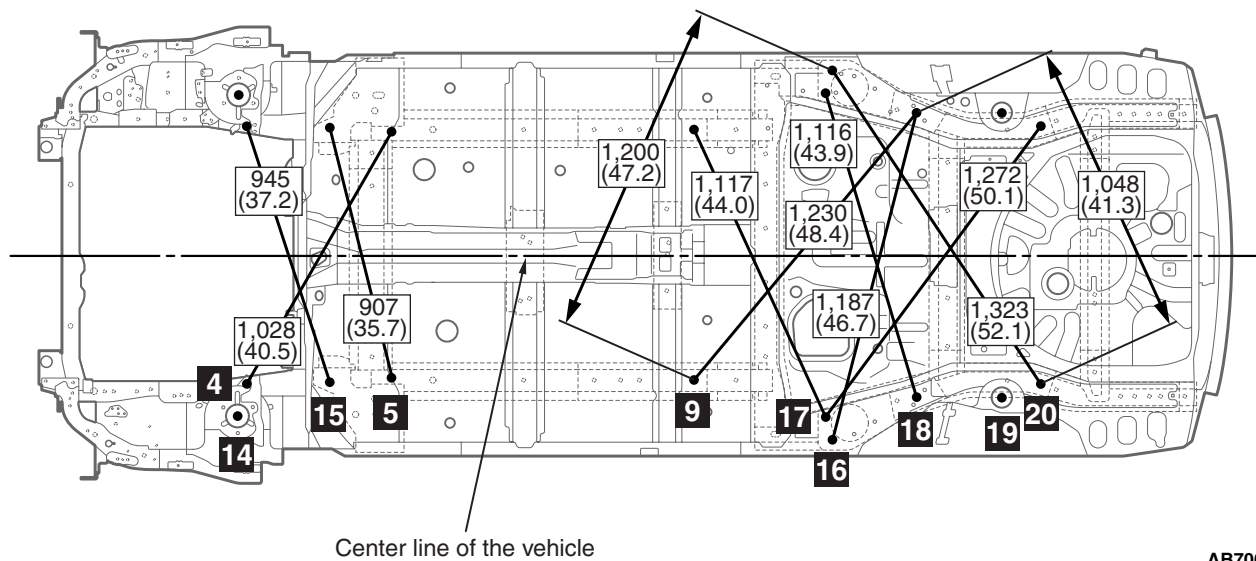
SUSPENSION INSTALLATION DIMENSIONS

M4020013001783

mm (in)

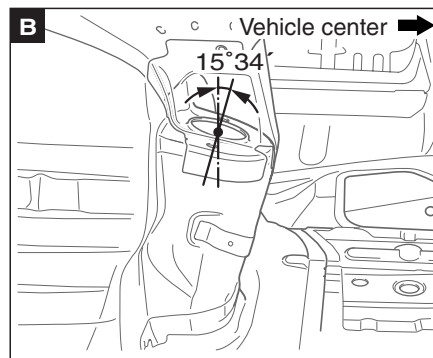
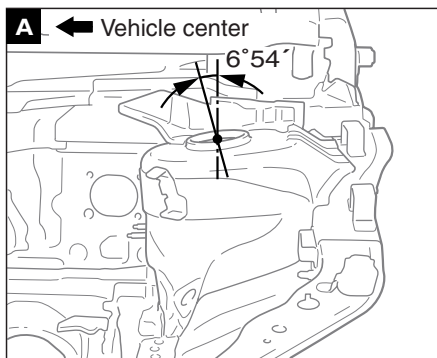


AB700578AB

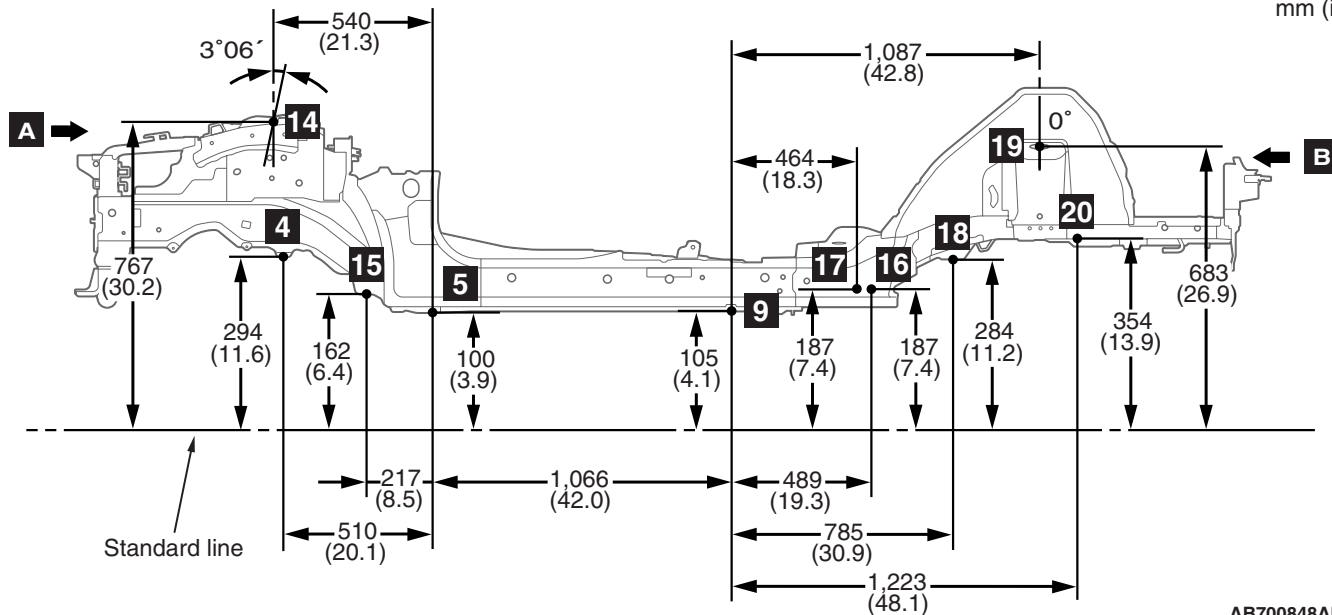


AB700579AB

No.	Standard measurement point	Hole shape	Size mm (in)
4	Center of front axle crossmember mounting hole (front)	Round	15.5 (0.61)
5	Center of front sidemember rear water draining hole	Round	16 (0.63)
9	Center of front floor sidemember positioning hole (rear)	Round	16 (0.63)
14	Center of front shock absorber mounting hole	Round	80 (3.15)
15	Center of front axle crossmember mounting hole (rear)	Round	15.5 (0.61)
16	Center of trailing arm mounting hole (outer side)	Round	15.5 (0.61)
17	Center of trailing arm mounting hole (inner side)	Round	15.5 (0.61)
18	Center of rear suspension crossmember mounting hole (front)	Round	15 (0.59)
19	Center of rear shock absorber mounting hole	Round	70.8 (2.79)
20	Center of rear suspension crossmember mounting hole (rear)	Round	15 (0.59)

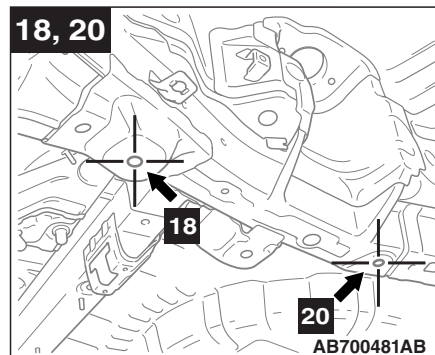
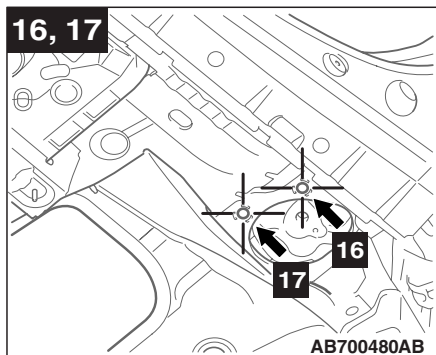
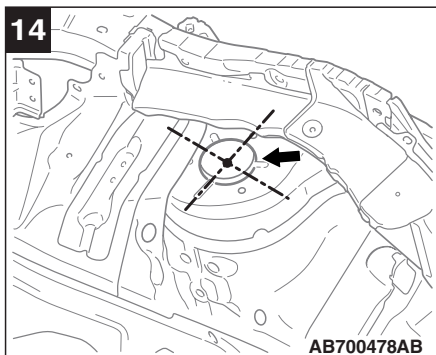
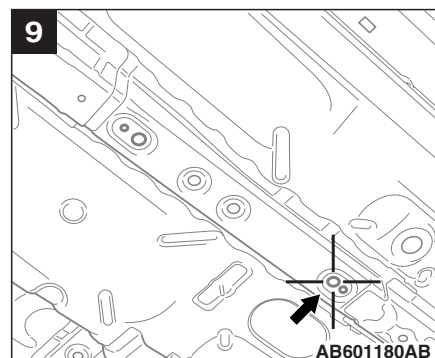
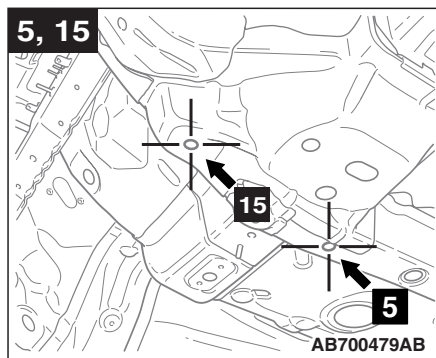
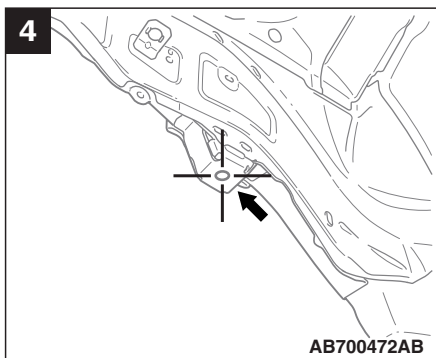


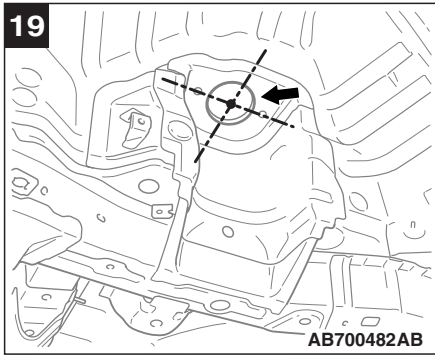
mm (in)



AB700848AB

NOTE: The assumed standard line is established 100 mm (3.9in) below the measurement point No.5.



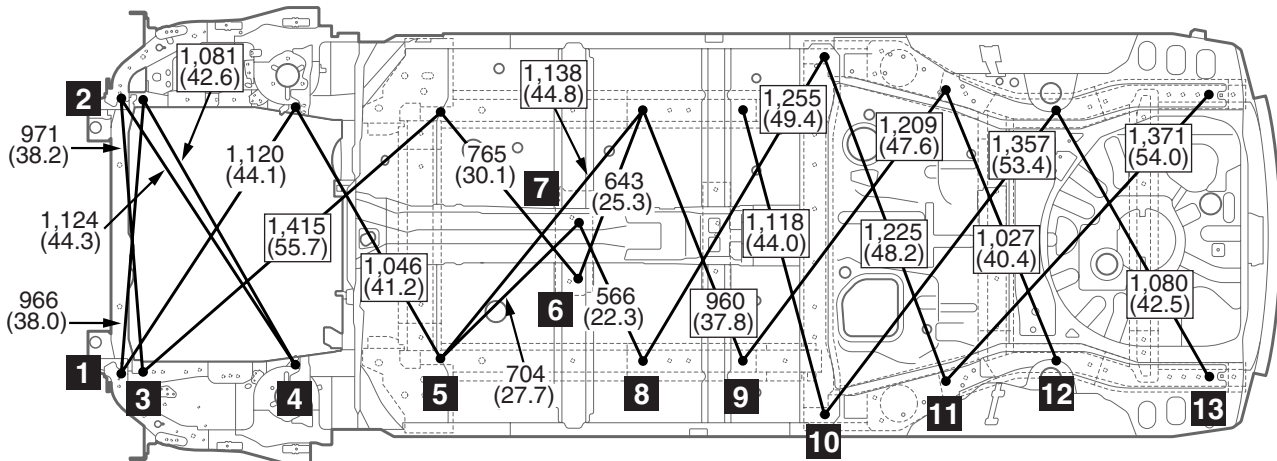
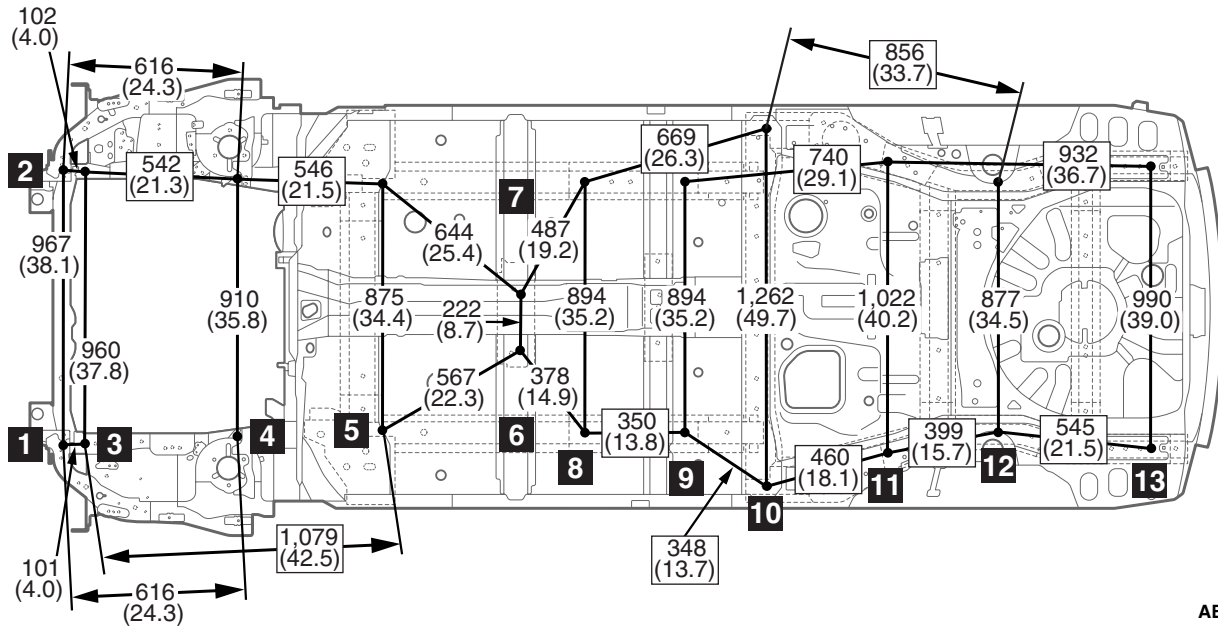


TYPE B (ACTUAL-MEASUREMENT DIMENSIONS)

UNDER BODY

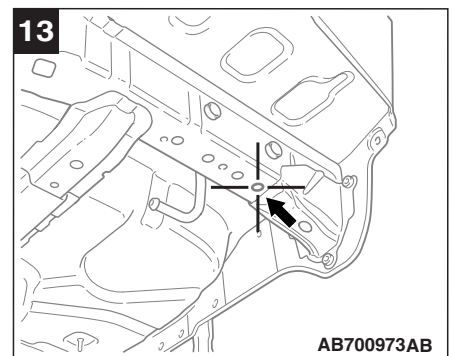
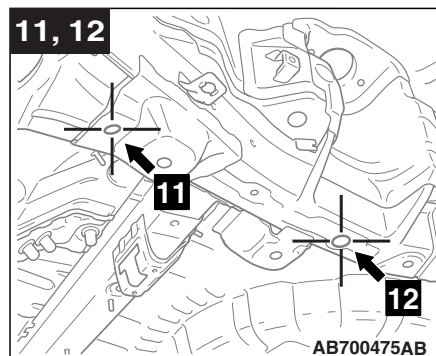
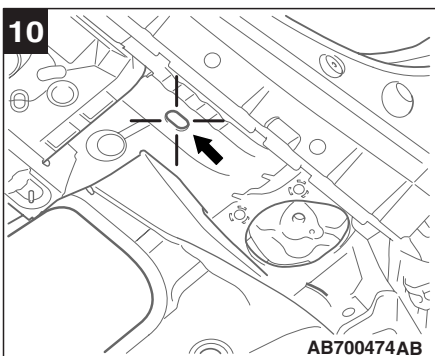
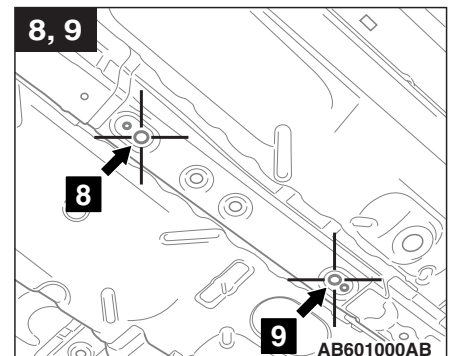
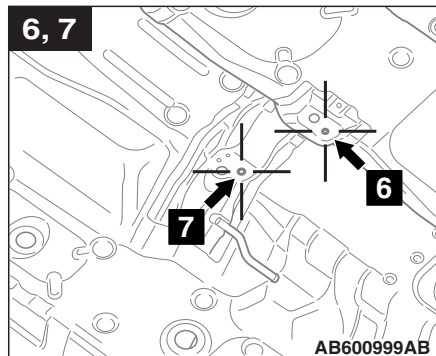
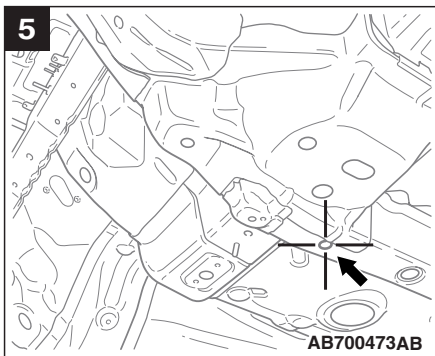
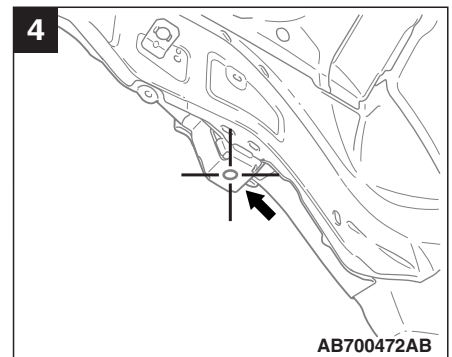
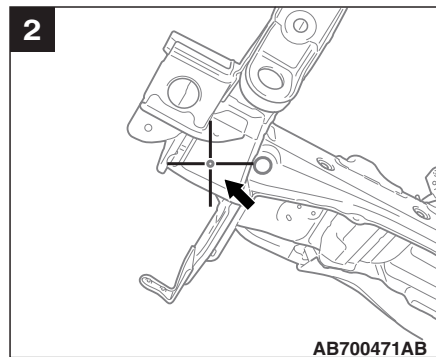
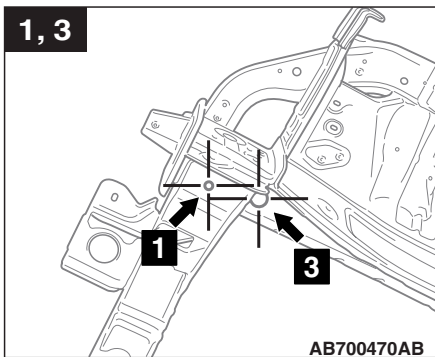
M4020005002167

mm (in)



**BODY DIMENSIONS
TYPE B (ACTUAL-MEASUREMENT DIMENSIONS)**

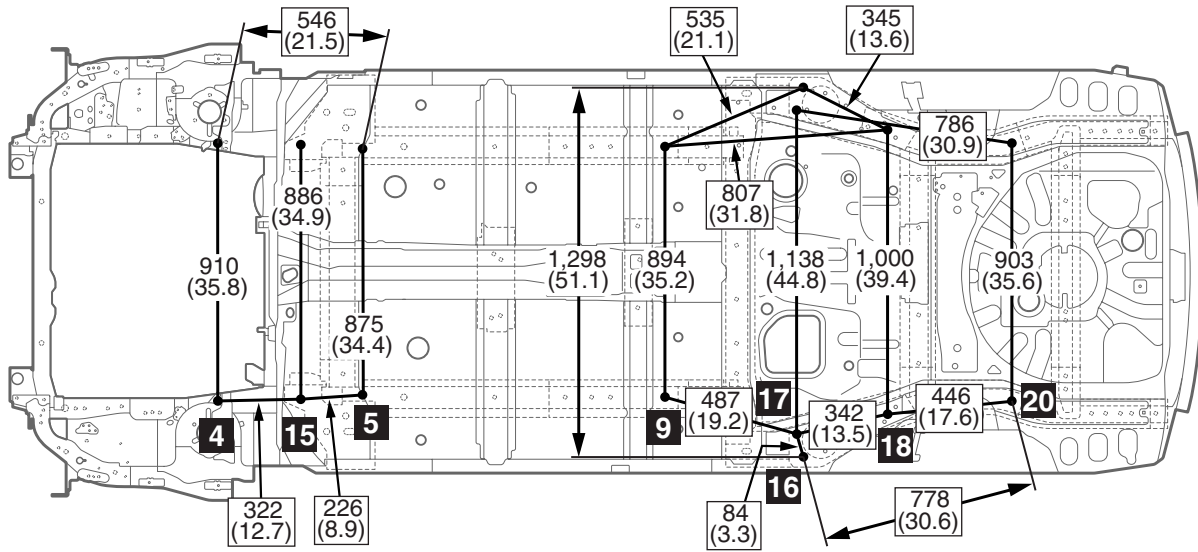
No.	Standard measurement point	Hole shape	Size mm (in)
1	Center of front end crossmember lower water draining hole (left side)	Round	8 (0.31)
2	Center of front end crossmember lower water draining hole (right side)	Round	8 (0.31)
3	Center of front sidemember inner positioning hole	Round	25 (0.98)
4	Center of front axle crossmember mounting hole (front)	Round	15.5 (0.61)
5	Center of front sidemember rear water draining hole	Round	16 (0.63)
6	Center of propeller shaft mounting hole (left side)	Round	11 (0.43)
7	Center of propeller shaft mounting hole (right side)	Round	11 (0.43)
8	Center of front floor sidemember positioning hole (front)	Round	16 (0.63)
9	Center of front floor sidemember positioning hole (rear)	Round	16 (0.63)
10	Center of rear floor sidemember lower positioning hole (front)	Oblong	33.9×18 (1.335×0.71)
11	Center of rear suspension bracket front water draining hole	Round	16 (0.63)
12	Center of rear floor sidemember lower positioning hole (rear)	Round	25 (0.98)
13	Center of rear floor sidemember extension water draining hole (left side), Center of rear shipping bracket mounting hole (right side)	Round	14 (0.55)



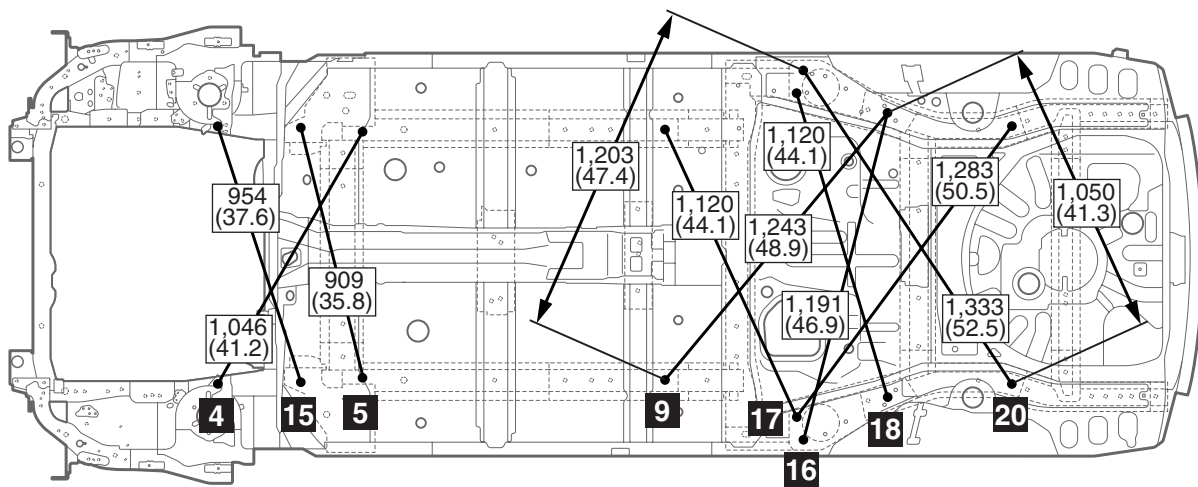
SUSPENSION INSTALLATION DIMENSIONS

M4020013001794

mm (in)



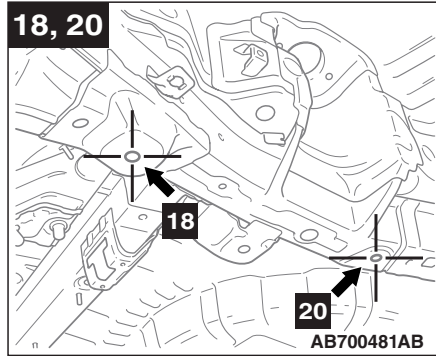
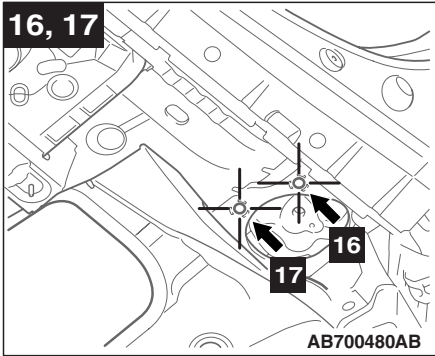
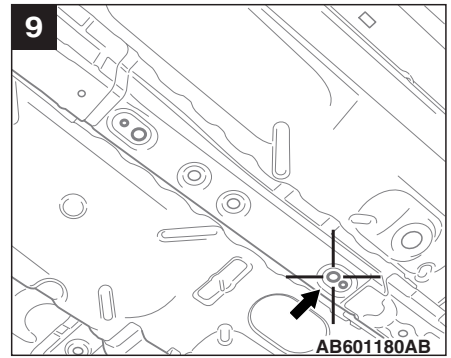
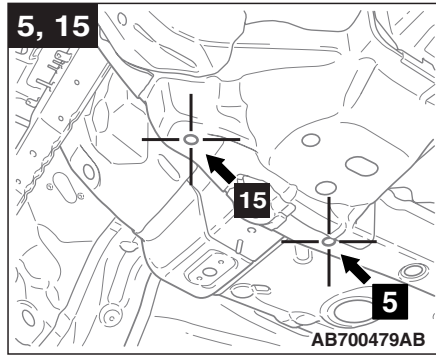
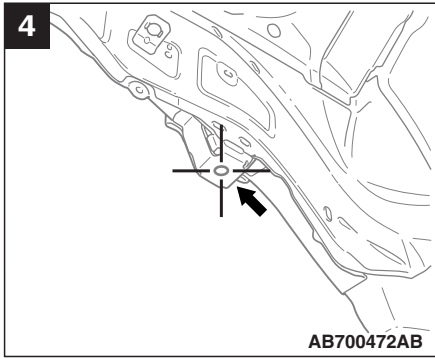
AB700580AB



AB700581AB

No.	Standard measurement point	Hole shape	Size mm (in)
4	Center of front axle crossmember mounting hole (front)	Round	15.5 (0.61)
5	Center of front sidemember rear water draining hole	Round	16 (0.63)
9	Center of front floor sidemember positioning hole (rear)	Round	16 (0.63)
15	Center of front axle crossmember mounting hole (rear)	Round	15.5 (0.61)
16	Center of trailing arm mounting hole (outer side)	Round	15.5 (0.61)
17	Center of trailing arm mounting hole (inner side)	Round	15.5 (0.61)
18	Center of rear suspension crossmember mounting hole (front)	Round	15 (0.59)
20	Center of rear suspension crossmember mounting hole (rear)	Round	15 (0.59)

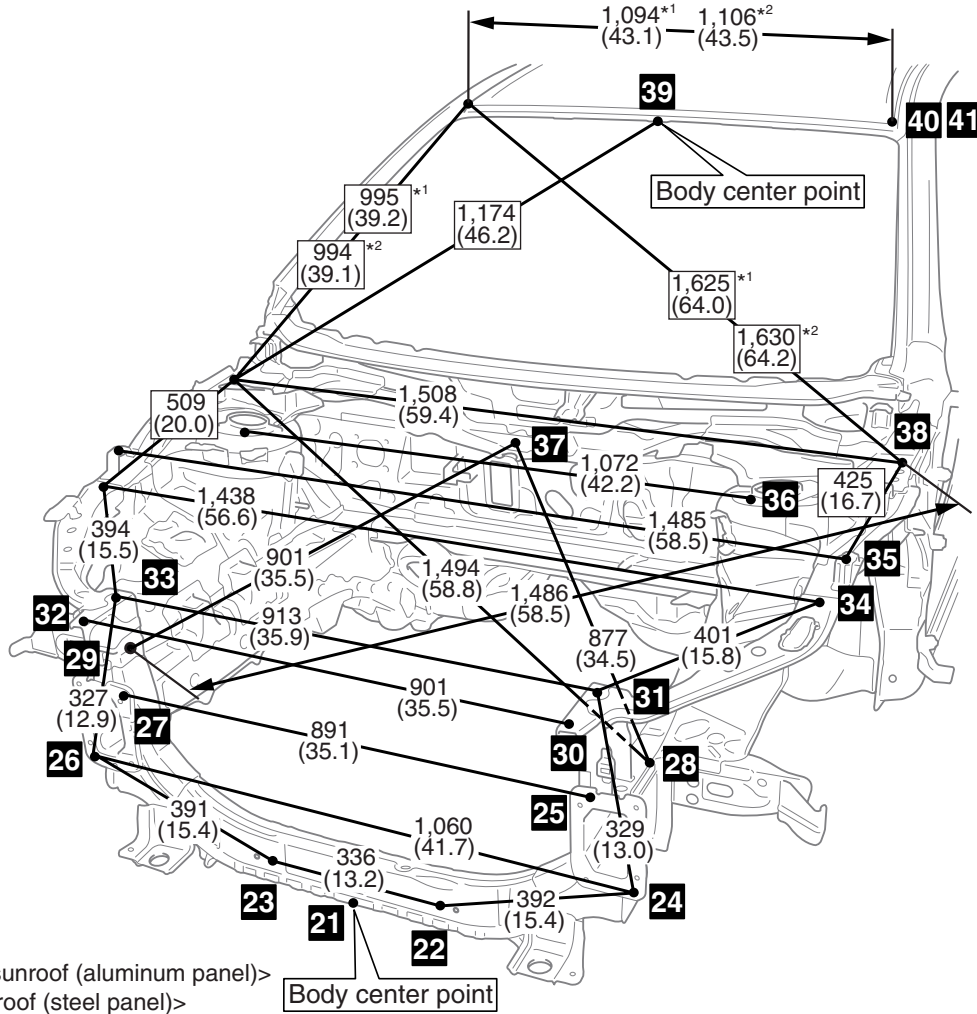
**BODY DIMENSIONS
TYPE B (ACTUAL-MEASUREMENT DIMENSIONS)**



FRONT BODY

M4020006001101

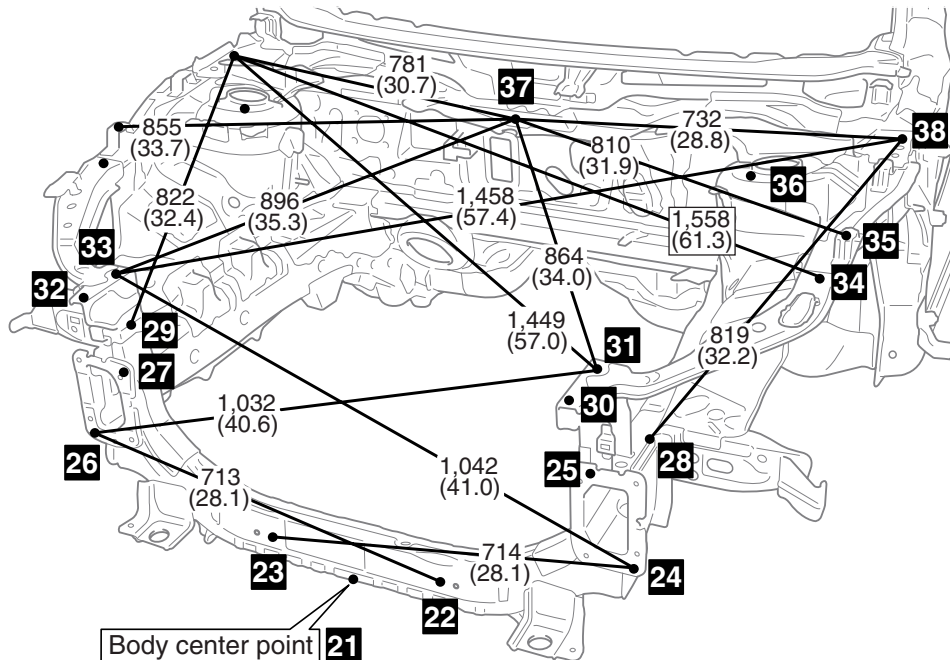
mm (in)



*1 : <Vehicles without sunroof (aluminum panel)>

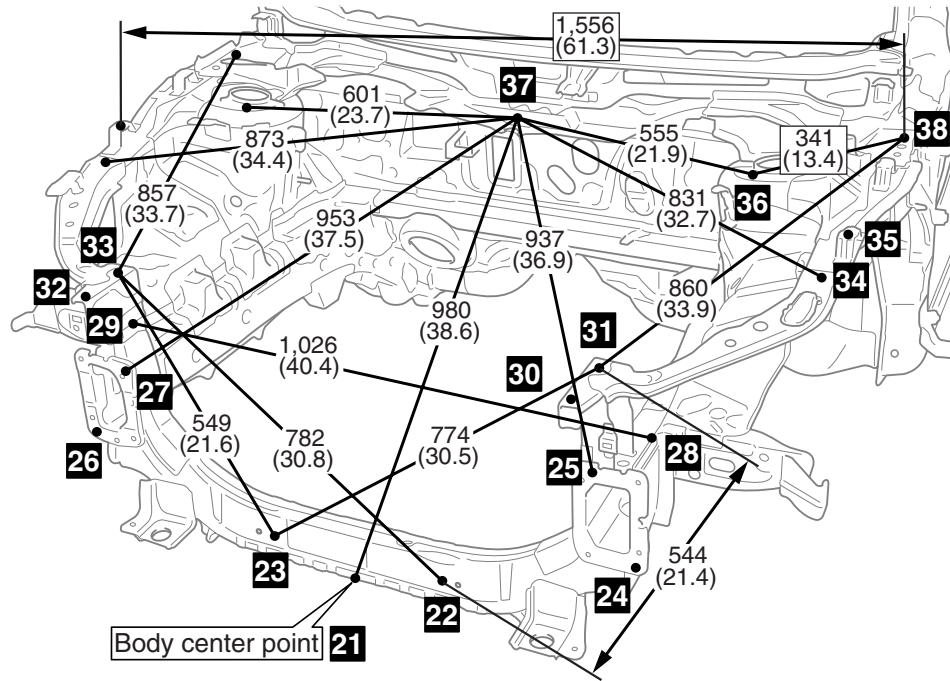
*2 : <Vehicles with sunroof (steel panel)>

AB700431AC



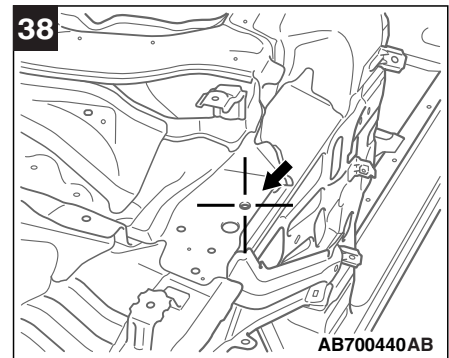
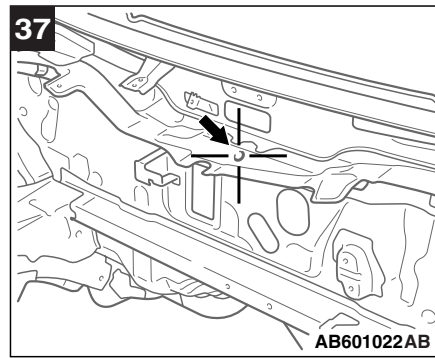
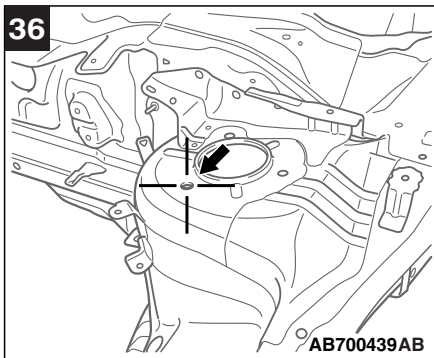
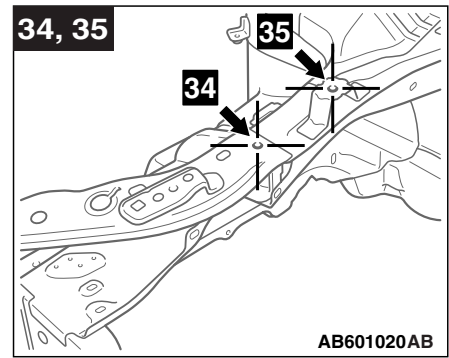
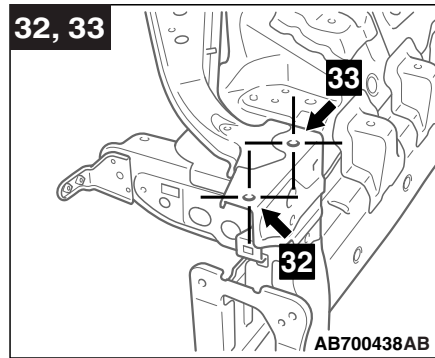
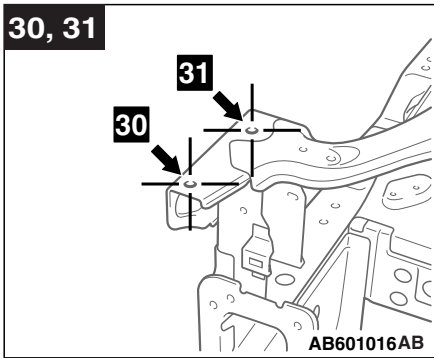
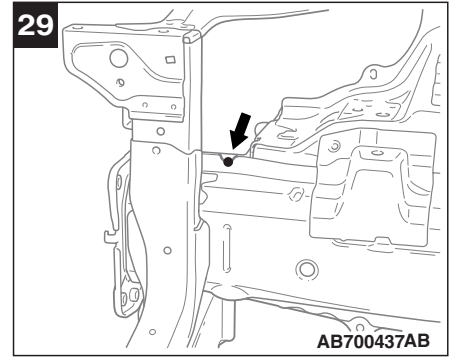
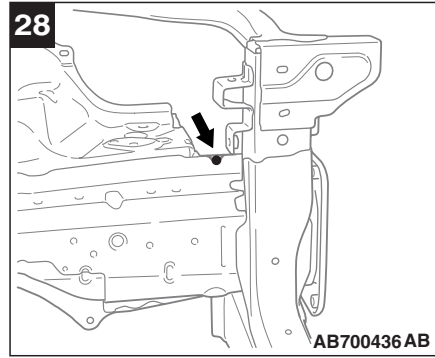
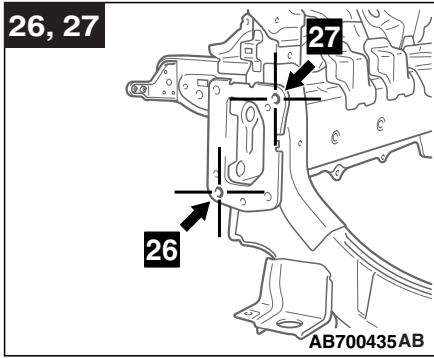
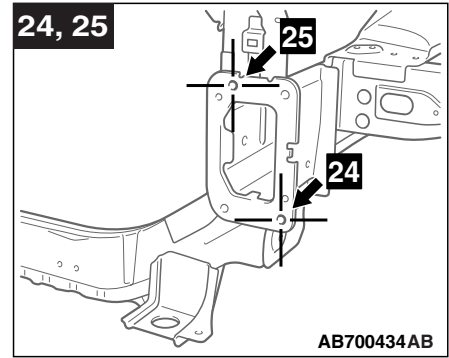
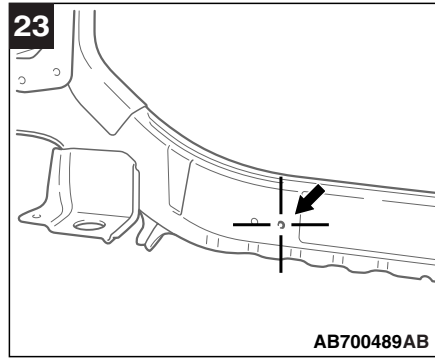
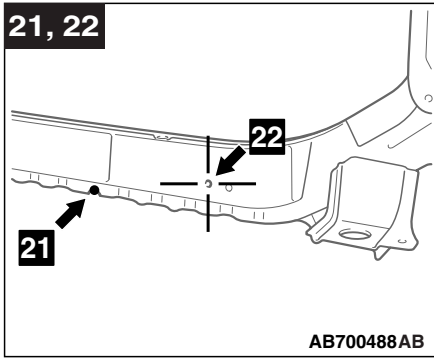
AB700602AB

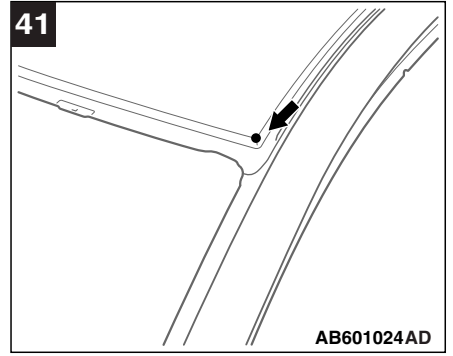
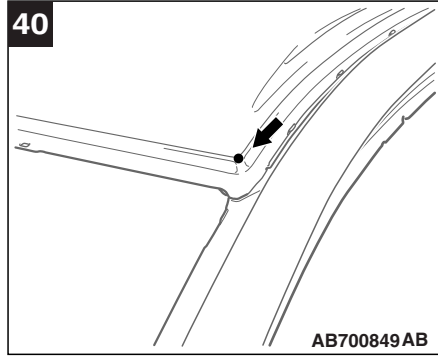
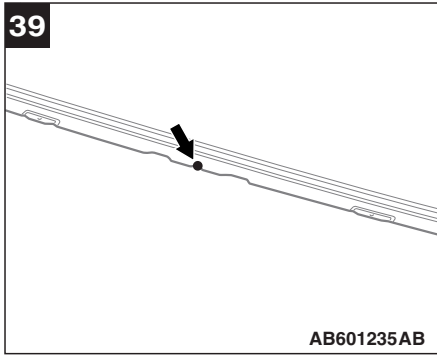
**BODY DIMENSIONS
TYPE B (ACTUAL-MEASUREMENT DIMENSIONS)**



AB700603AB

No.	Standard measurement point	Hole shape	Size mm (in)
21	Center of front end crossmember positioning notch (Body center point)	–	–
22	Center of front end crossmember dynamic damper mounting hole (left side)	Round	9 (0.35)
23	Center of front end crossmember dynamic damper mounting hole (right side)	Round	9 (0.35)
24	Center of front bumper reinforcement mounting hole (left lower)	Round	9 (0.35)
25	Center of front bumper reinforcement mounting hole (left upper)	Round	9 (0.35)
26	Center of front bumper reinforcement mounting hole (right lower)	Round	9 (0.35)
27	Center of front bumper reinforcement mounting hole (right upper)	Round	9 (0.35)
28	Center of front sidemember inner positioning notch (left side)	–	–
29	Center of front sidemember inner positioning notch (right side)	–	–
30	Center of headlight support panel upper mounting hole (left front)	Round	6.6 (0.26)
31	Center of headlight support panel upper mounting hole (left rear)	Round	6.6 (0.26)
32	Center of headlight support panel upper mounting hole (right front)	Round	6.6 (0.26)
33	Center of headlight support panel upper mounting hole (right rear)	Round	6.6 (0.26)
34	Center of front end upper bar side positioning hole	Round	6 (0.24)
35	Center of front fender mounting hole	Round	6.6 (0.26)
36	Center of front strut mounting hole	Round	11.5 (0.45)
37	Center of cowl top panel mounting hole	Round	6.6 (0.26)
38	Center of hood hinge mounting hole	Round	9 (0.35)
39	Center of roof panel positioning notch (Body center point)	–	–
40	Corner of roof panel <Vehicles without sunroof (aluminum panel)>	–	–
41	Corner of roof panel <Vehicles with sunroof (steel panel)>	–	–

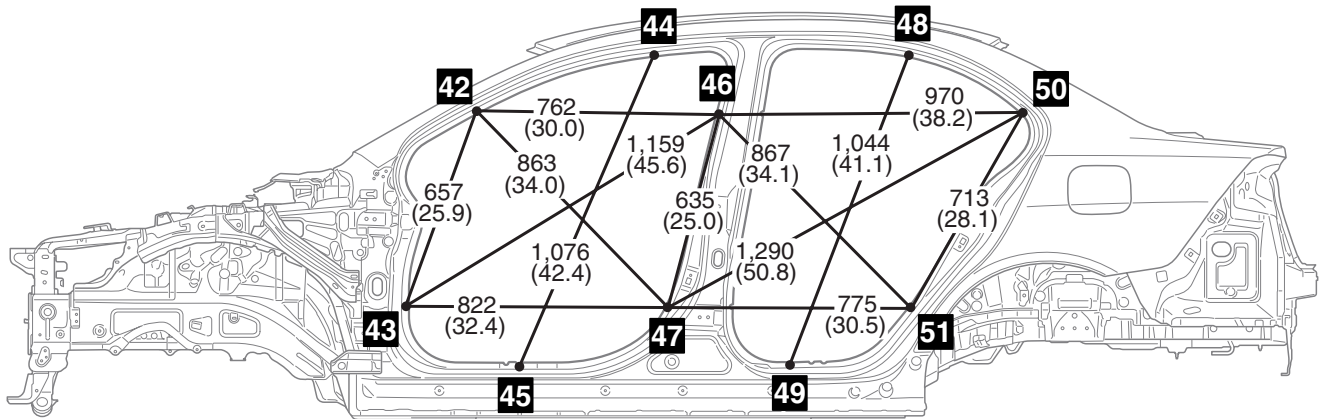




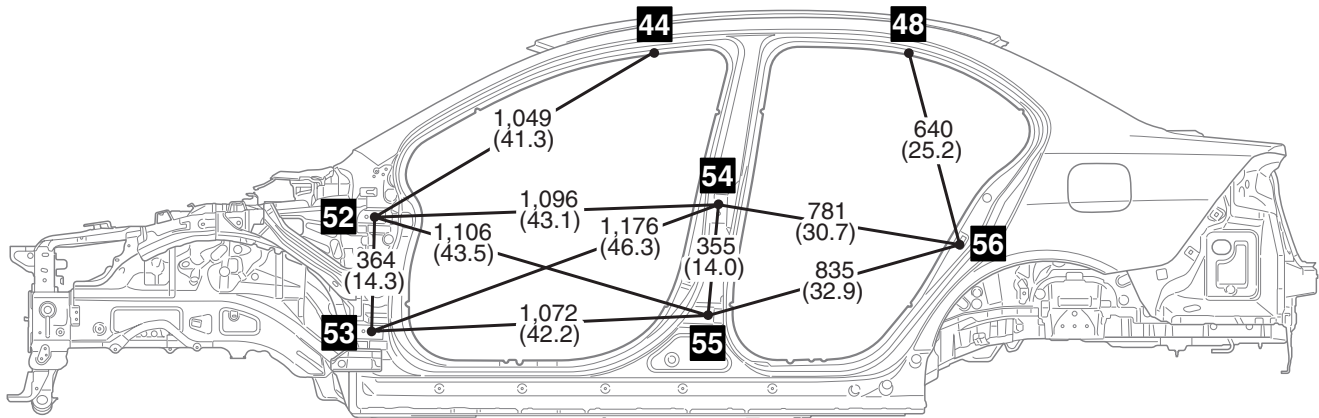
SIDE BODY

M4020007001018

mm (in)



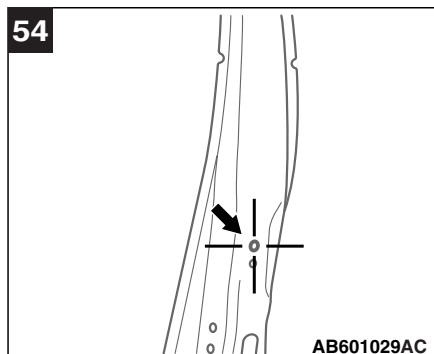
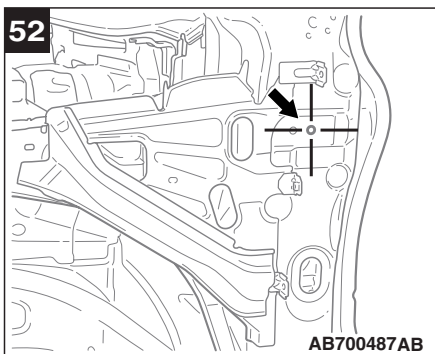
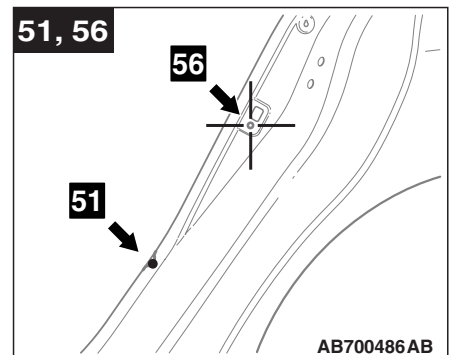
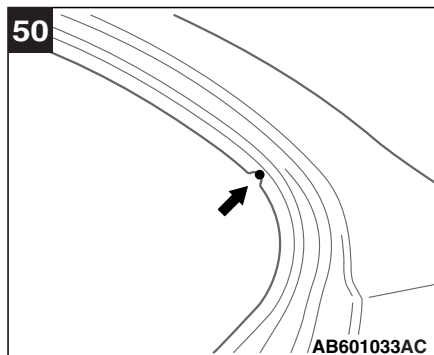
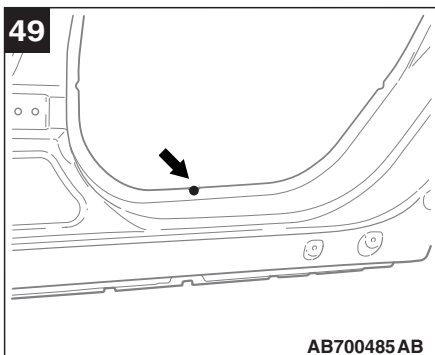
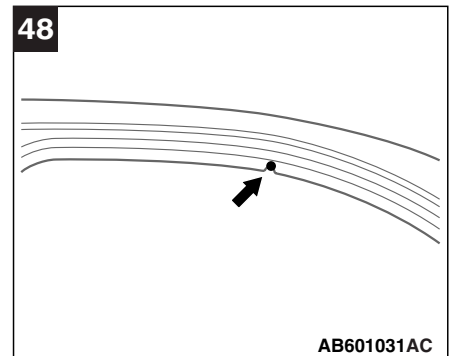
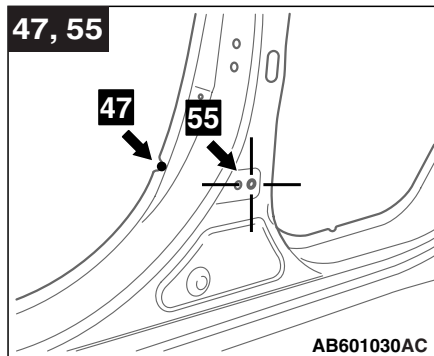
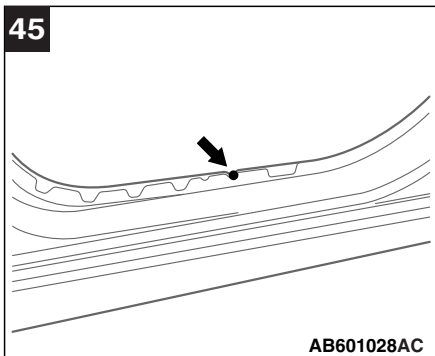
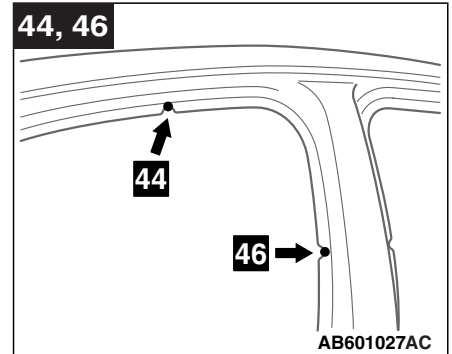
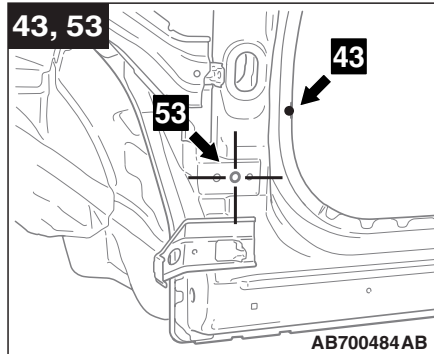
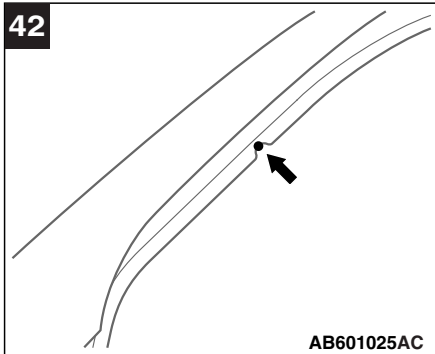
AB700854AB



AB700855AB

No.	Standard measurement point	Hole shape	Size mm (in)
42	Front pillar positioning notch (upper)	—	—
43	Front pillar positioning notch (lower)	—	—
44	Roof side rail positioning notch (front)	—	—
45	Side sill positioning notch (front)	—	—
46	Center pillar positioning notch (upper)	—	—
47	Center pillar positioning notch (lower)	—	—
48	Roof side rail positioning notch (rear)	—	—
49	Side sill positioning notch (rear)	—	—
50	Quarter panel positioning notch (upper)	—	—
51	Quarter panel positioning notch (lower)	—	—
52	Center of front door upper hinge mounting hole	Round	11 (0.43)
53	Center of front door lower hinge mounting hole	Round	11 (0.43)

No.	Standard measurement point	Hole shape	Size mm (in)
54	Center of rear door upper hinge mounting hole	Round	11.5 (0.45)
55	Center of rear door lower hinge mounting hole	Round	11 (0.43)
56	Center of rear door switch mounting hole	Round	5 (0.20)

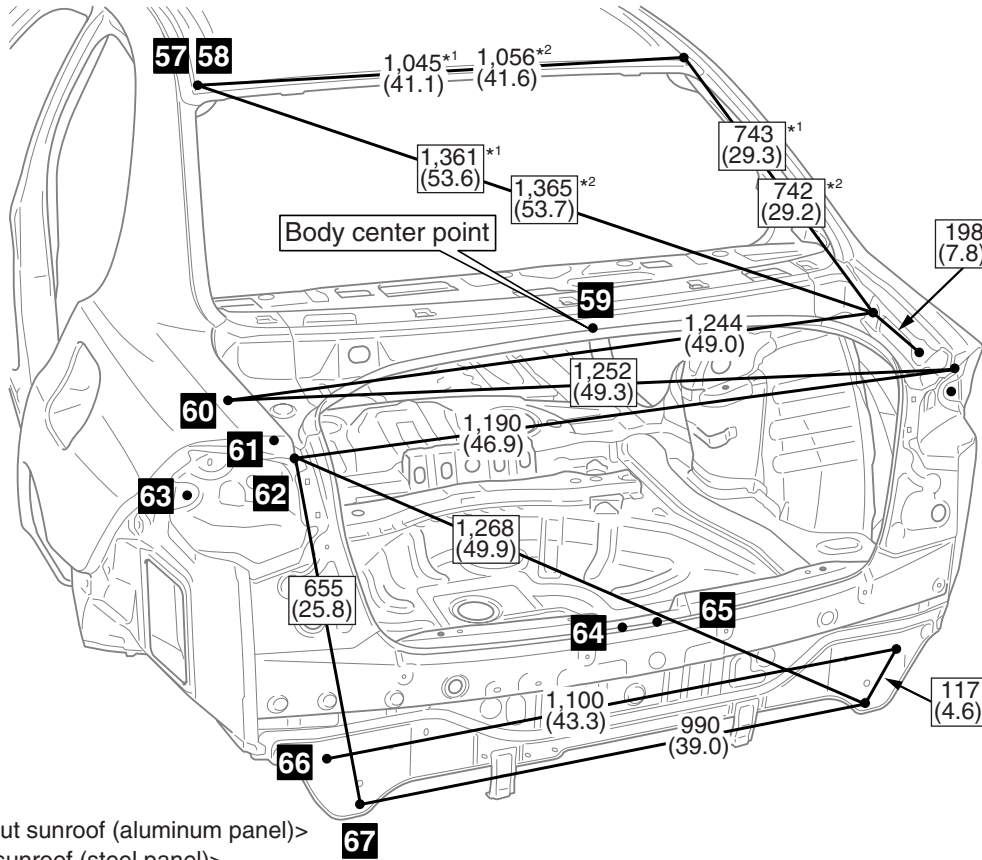


BODY DIMENSIONS
TYPE B (ACTUAL-MEASUREMENT DIMENSIONS)

REAR BODY

M4020008001055

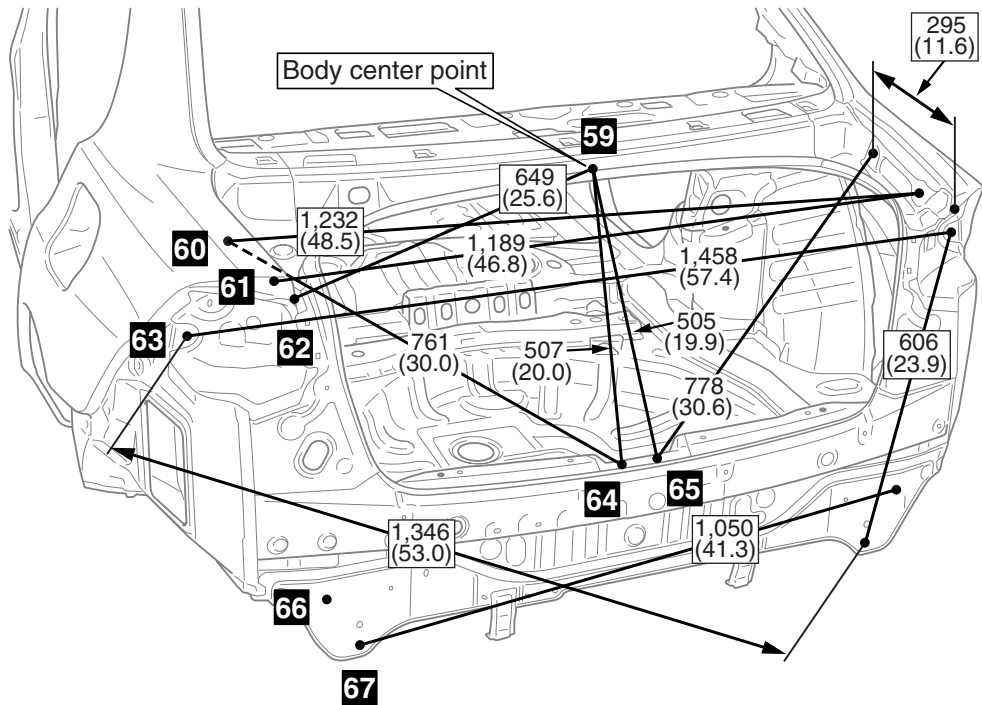
mm (in)



*1: <Vehicles without sunroof (aluminum panel)>

*2: <Vehicles with sunroof (steel panel)>

AB700990AB

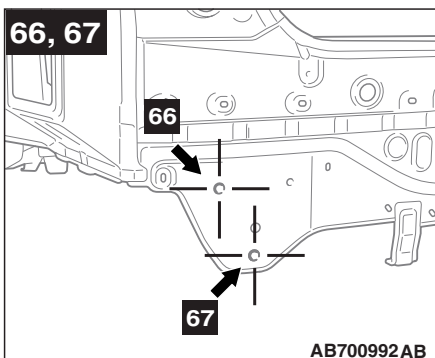
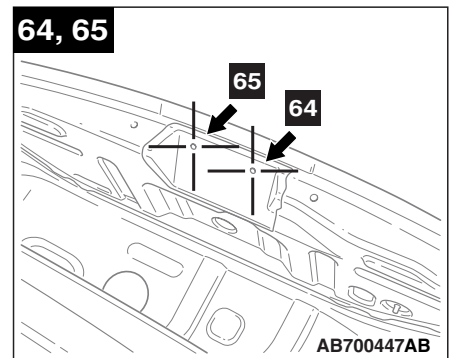
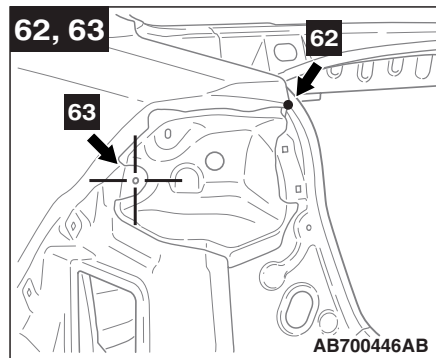
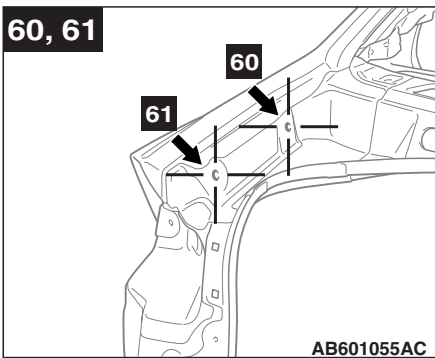
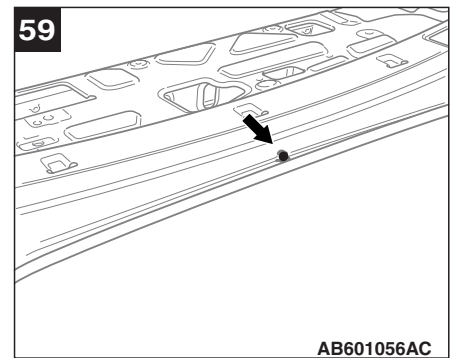
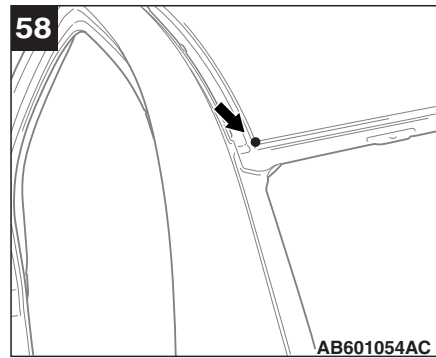
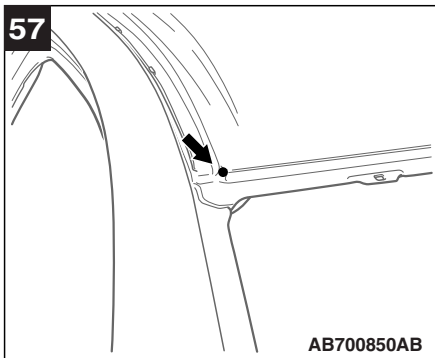


AB700991AB

No.	Standard measurement point	Hole shape	Size mm (in)
57	Corner of roof panel <Vehicles without sunroof (aluminum panel)>	—	—
58	Corner of roof panel <Vehicles with sunroof (steel panel)>	—	—
59	Body center point of rear shelf panel	—	—

**BODY DIMENSIONS
TYPE B (ACTUAL-MEASUREMENT DIMENSIONS)**

No.	Standard measurement point	Hole shape	Size mm (in)
60	Center of trunk lid hinge mounting hole (front)	Round	9 (0.35)
61	Center of trunk lid hinge mounting hole (rear)	Round	9 (0.35)
62	Corner of side outer panel	–	–
63	Center of rear combination light mounting hole	Round	8 (0.31)
64	Center of trunk lid latch striker mounting hole (left side)	Round	6.6 (0.26)
65	Center of trunk lid latch striker mounting hole (right side)	Round	6.6 (0.26)
66	Center of rear bumper reinforcement mounting hole (upper)	Round (left side), Oblong (right side), 15×17 (0.59×0.67) (right side)	15 (0.59) (left side), 15×17 (0.59×0.67) (right side)
67	Center of rear bumper reinforcement mounting hole (lower)	Round	15 (0.59)

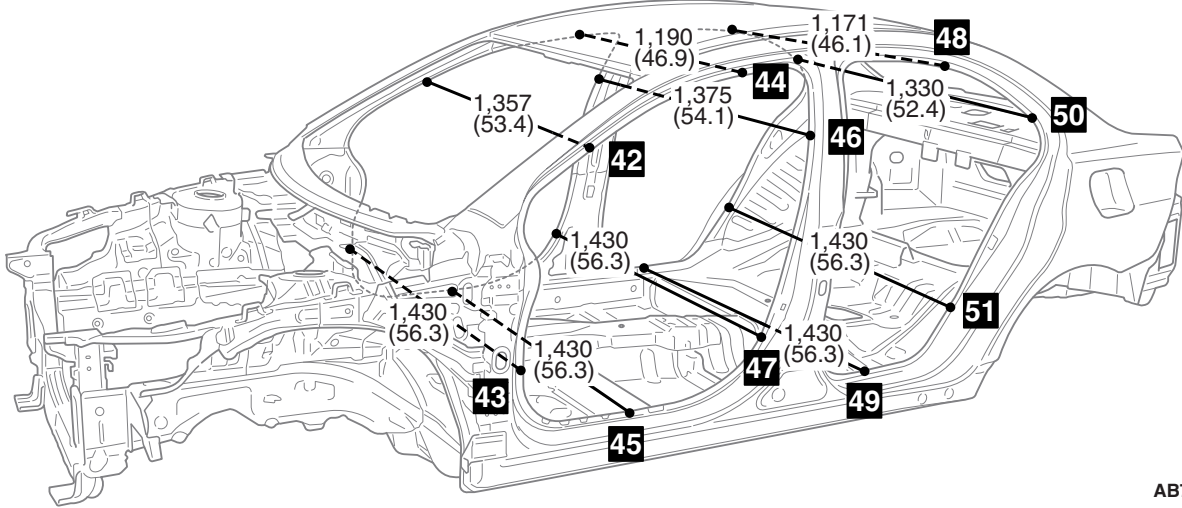


BODY DIMENSIONS
TYPE B (ACTUAL-MEASUREMENT DIMENSIONS)

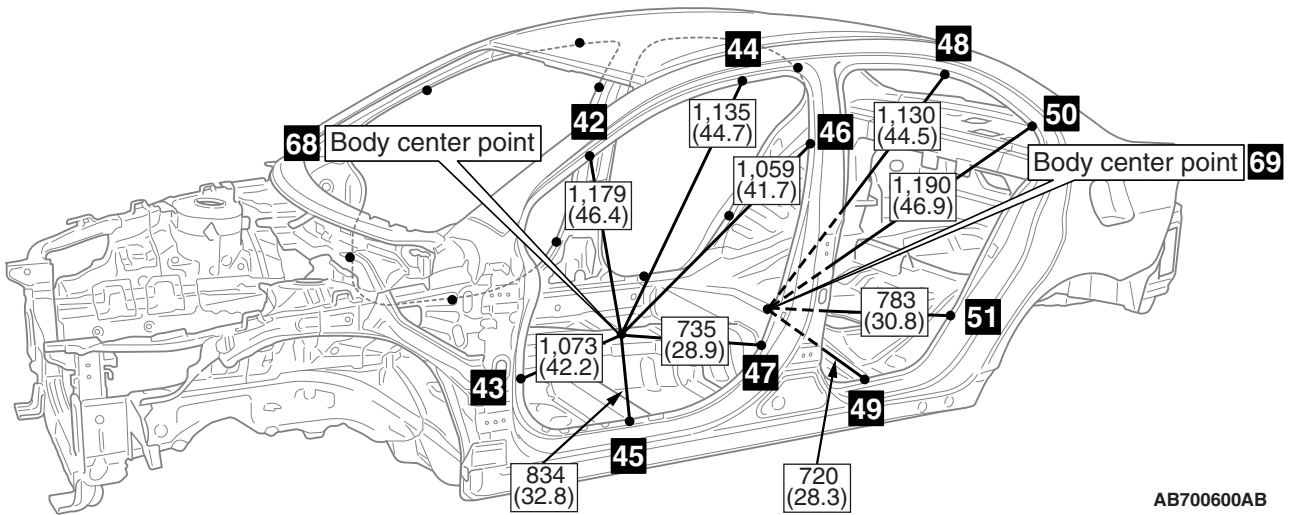
INTERIOR

M4020009001230

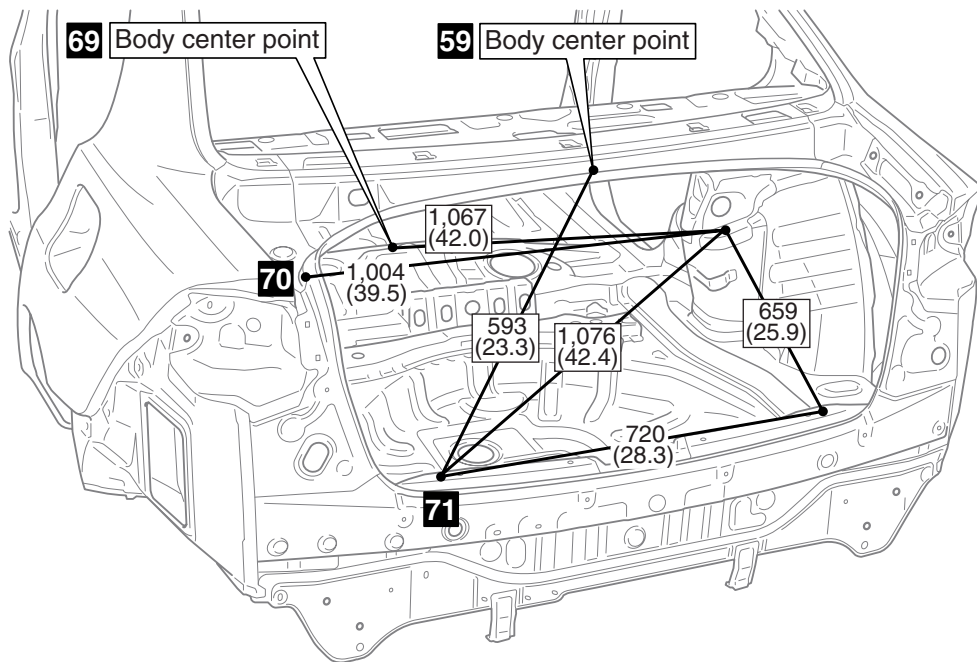
mm (in)



AB700461AB

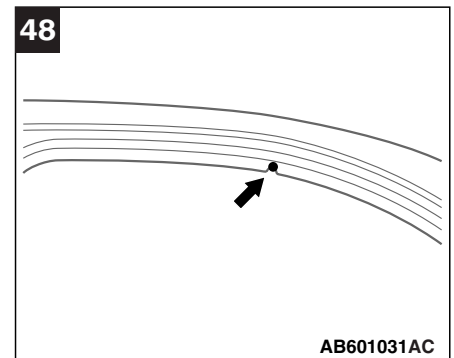
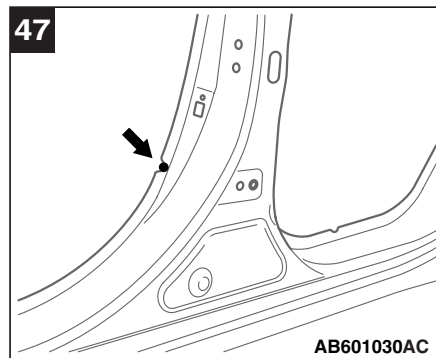
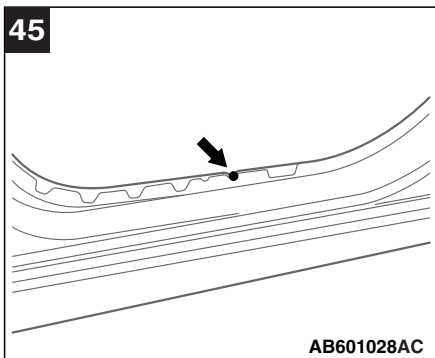
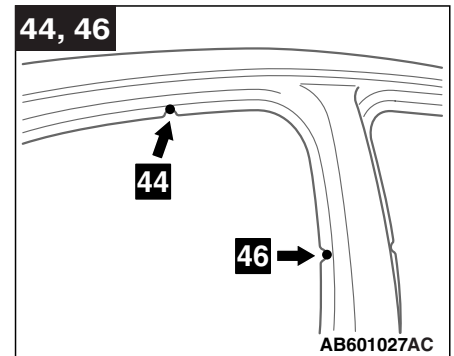
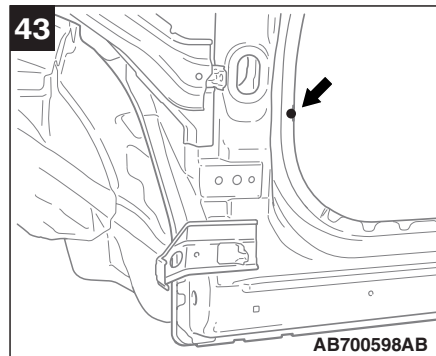
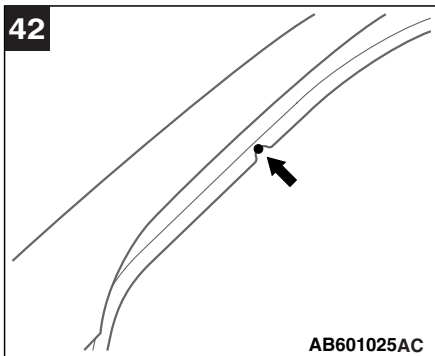


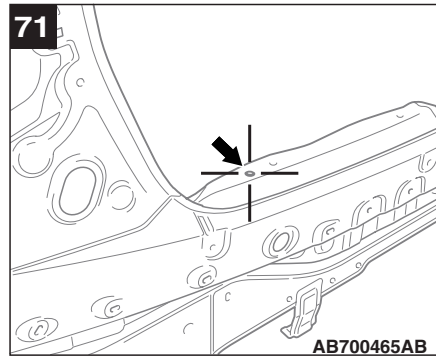
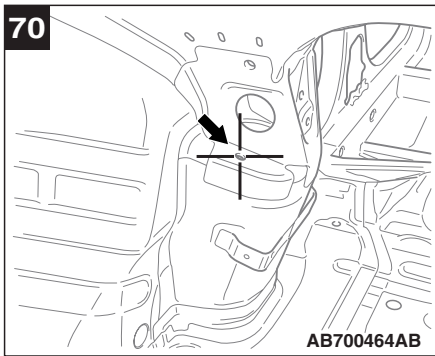
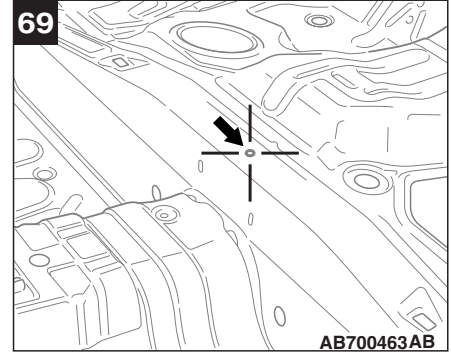
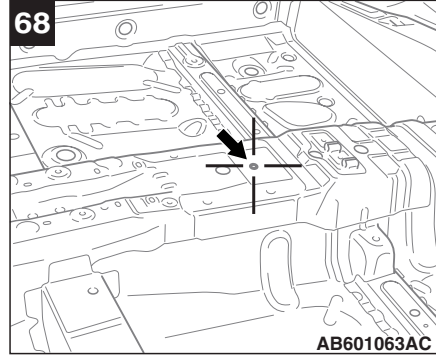
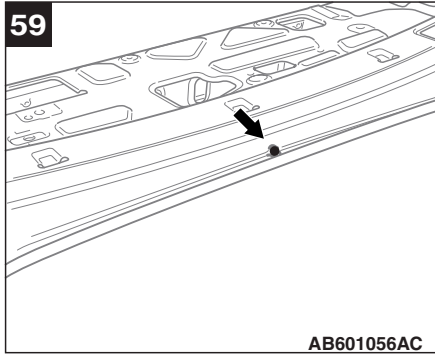
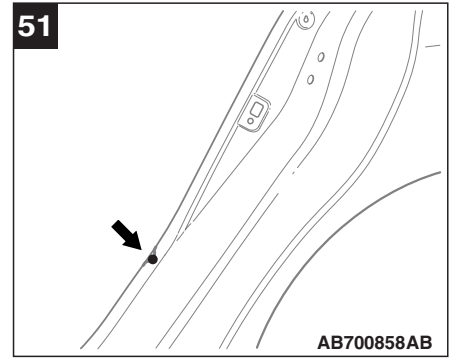
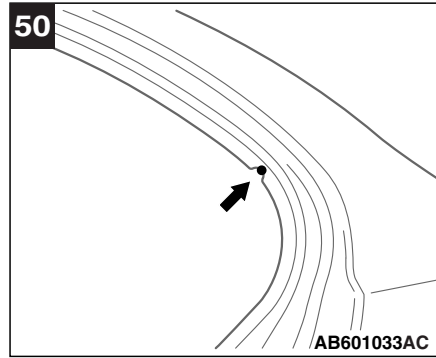
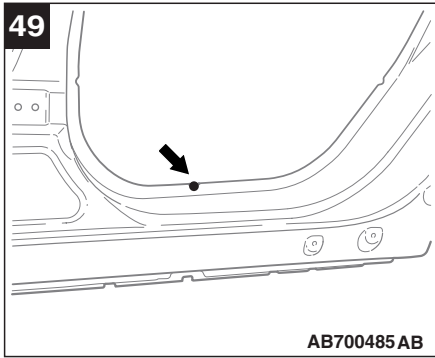
AB700600AB



AB700462AB

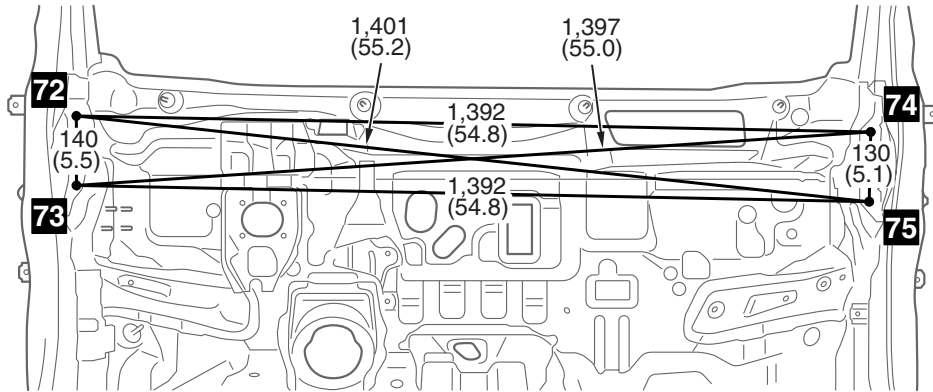
No.	Standard measurement point	Hole shape	Size mm (in)
42	Front pillar positioning notch (upper)	—	—
43	Front pillar positioning notch (lower)	—	—
44	Roof side rail positioning notch (front)	—	—
45	Side sill positioning notch (front)	—	—
46	Center pillar positioning notch (upper)	—	—
47	Center pillar positioning notch (lower)	—	—
48	Roof side rail positioning notch (rear)	—	—
49	Side sill positioning notch (rear)	—	—
50	Quarter panel positioning notch (upper)	—	—
51	Quarter panel positioning notch (lower)	—	—
59	Body center point of rear shelf panel	—	—
68	Center of parking brake lever mounting hole (Body center point)	Round	11 (0.43)
69	Body center point of rear floor extension	—	—
70	Center of rear shock absorber mounting hole	Round	14 (0.55)
71	Center of rear end trim mounting hole	Round	8.5 (0.335)





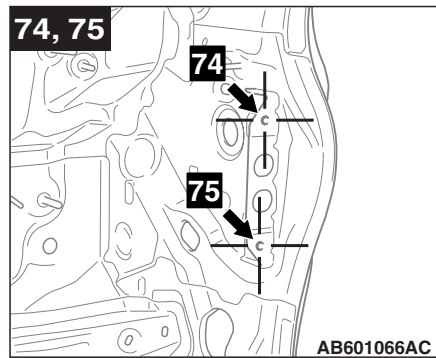
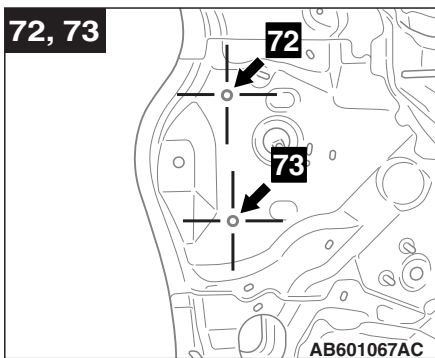
**BODY DIMENSIONS
TYPE B (ACTUAL-MEASUREMENT DIMENSIONS)**

mm (in)



AB600984AE

No.	Standard measurement point	Hole shape	Size mm (in)
72	Center of deck crossmember mounting hole (left-upper)	Round	13 (0.51)
73	Center of deck crossmember mounting hole (left-lower)	Round	13 (0.51)
74	Center of deck crossmember mounting hole (right-upper)	Round	9 (0.35)
75	Center of deck crossmember mounting hole (right-lower)	Round	9 (0.35)



NOTES