
GROUP 4

**CORROSION
PROTECTION**

CONTENTS

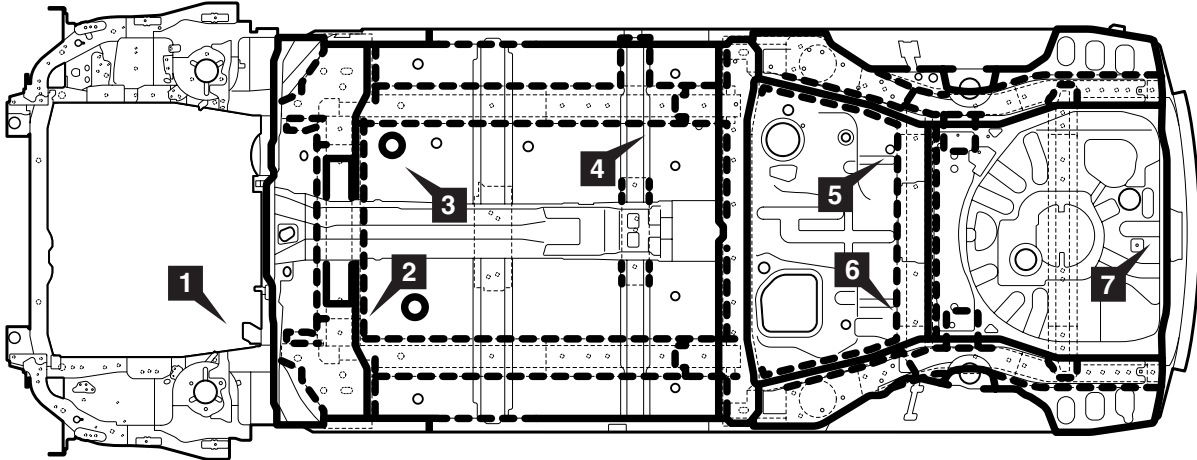
BODY SEALING LOCATIONS	4-2	UNDERCOAT APPLICATION LOCATIONS	4-10
---	------------	--	-------------

BODY SEALING LOCATIONS

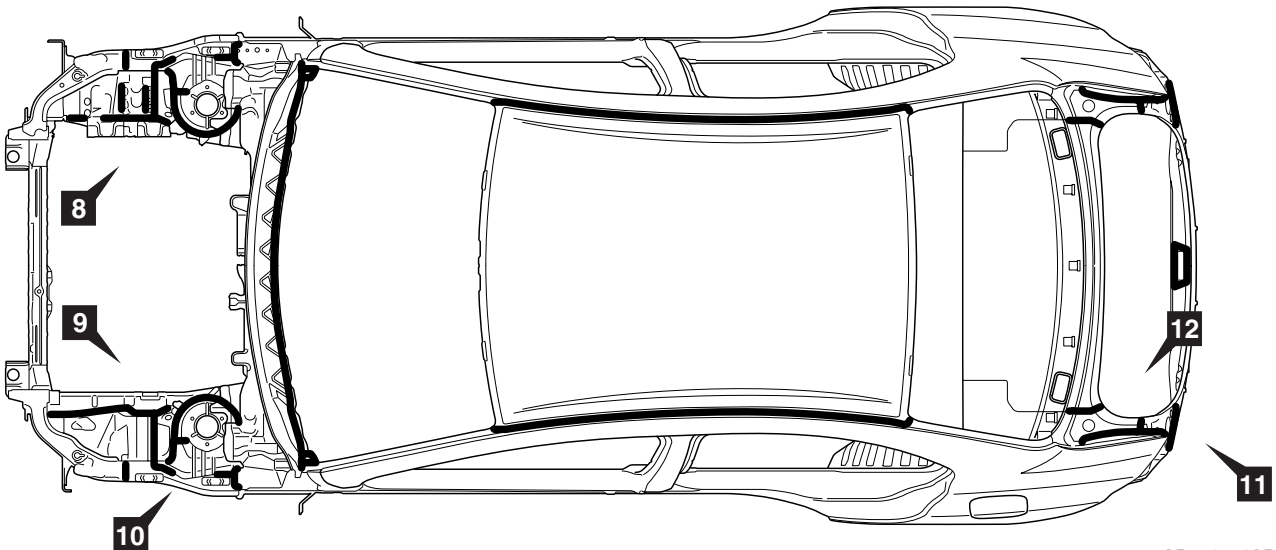
M4040001001443

If the sealant application is directly visible on the outer plate and requires appearance quality of the application in areas such as the drip rail, pillar, clinch and so on, then apply the sealant so that it is flat, or wipe off any excess mounding after the application. Be careful not to obstruct the water draining hole.

NOTE: The bold dotted line indicates the application area on the underside.

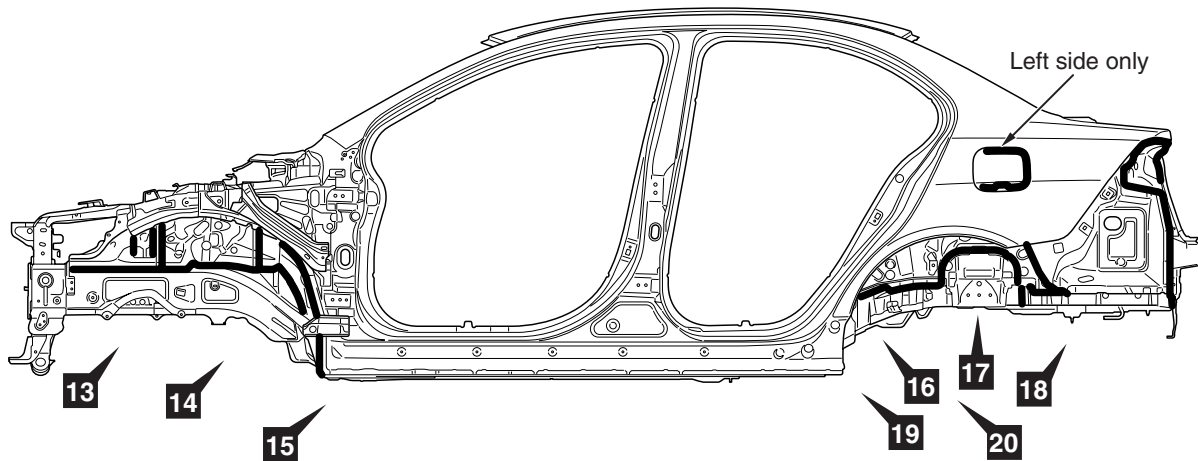
FLOOR

AB701023AB

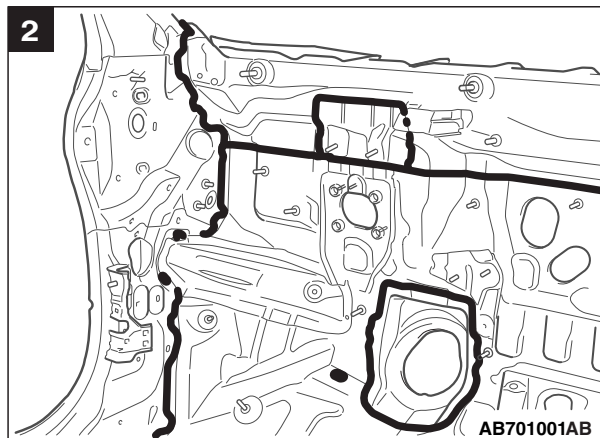
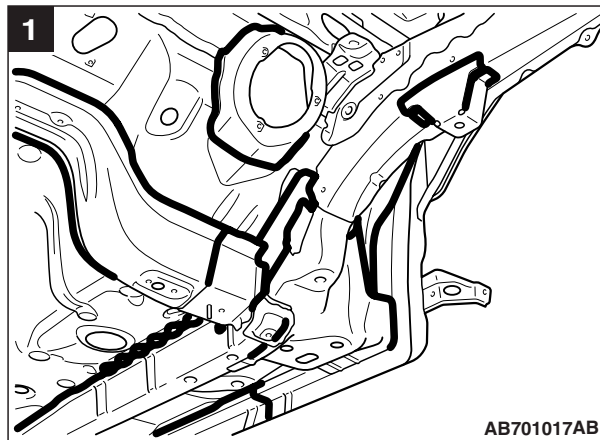
UPPER BODY

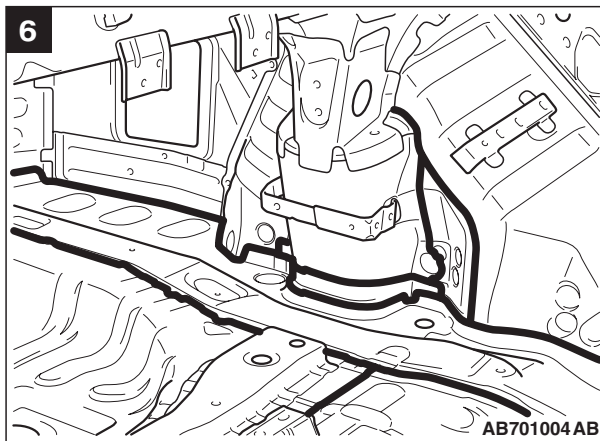
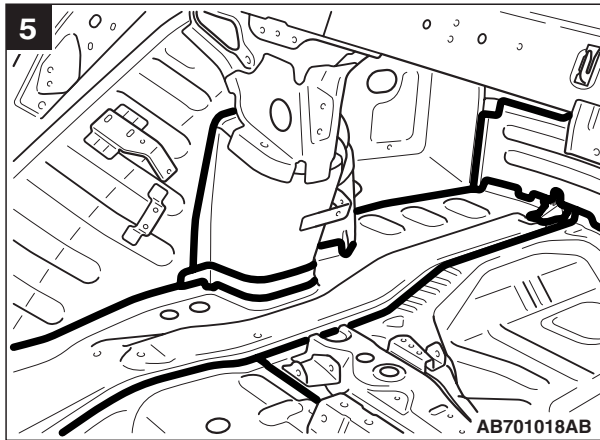
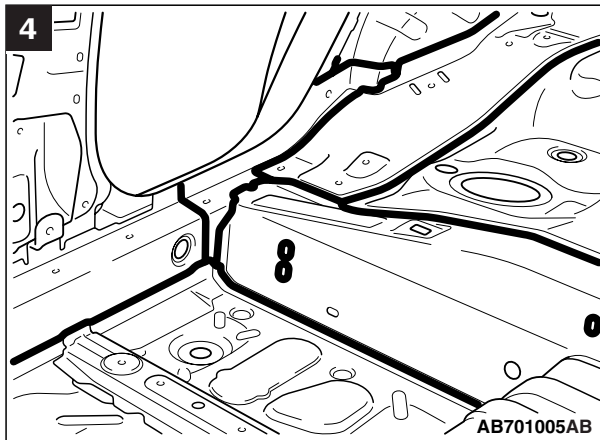
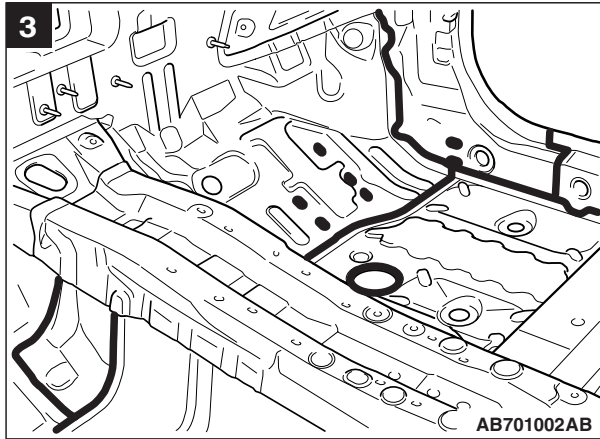
AB701024AB

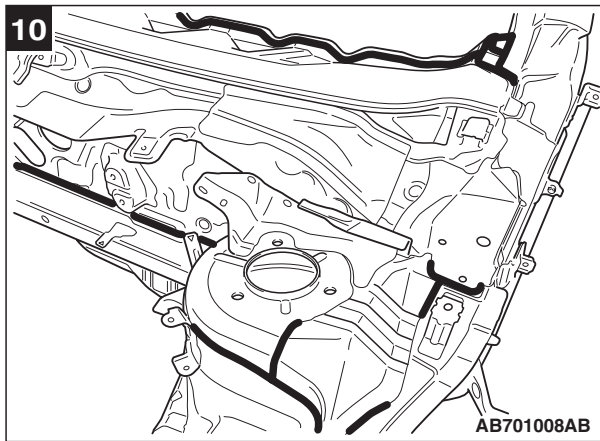
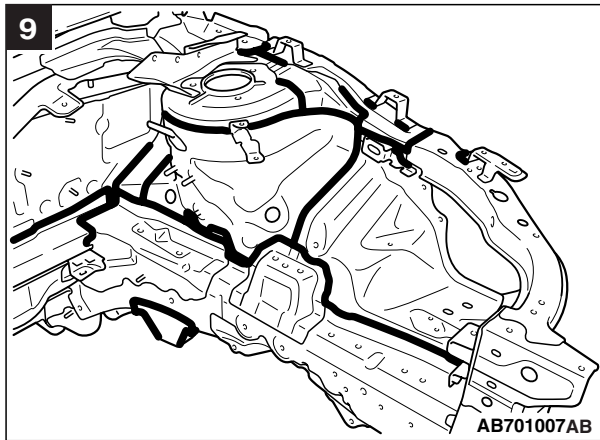
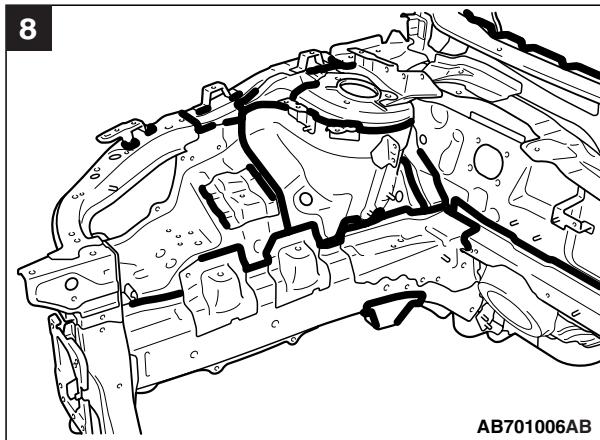
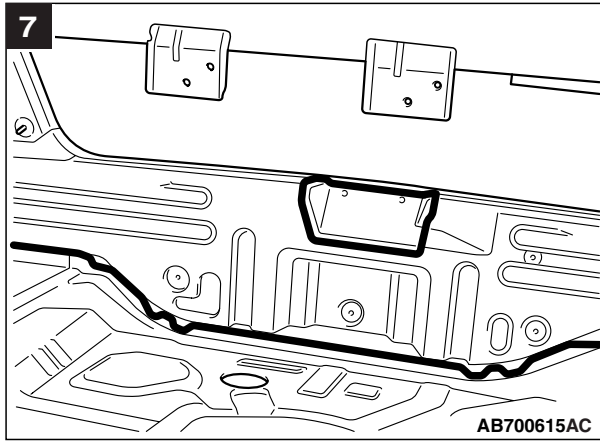
SIDE BODY

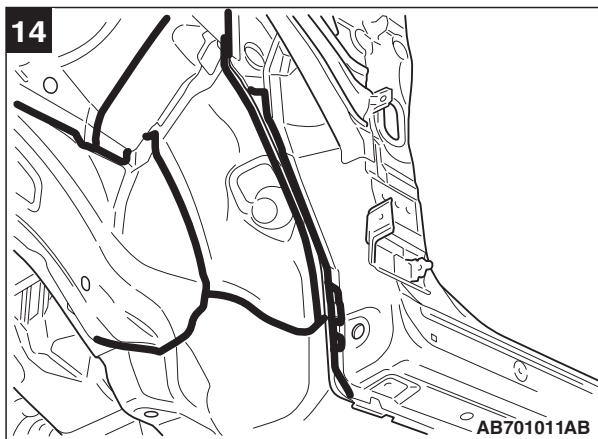
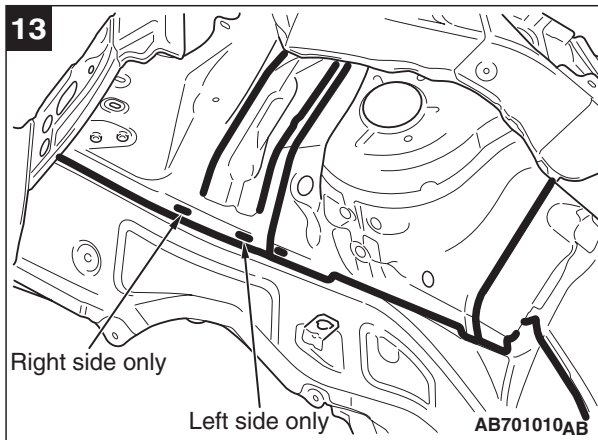
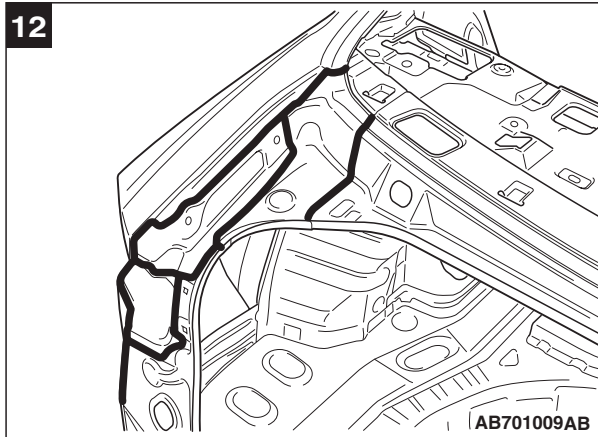
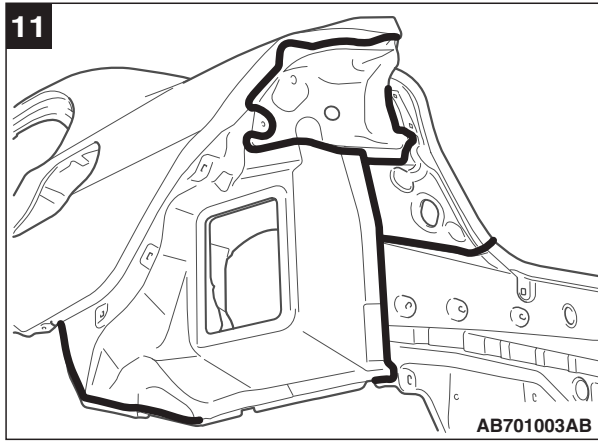


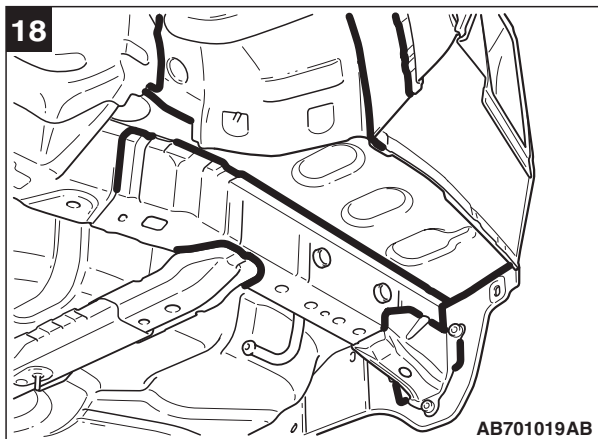
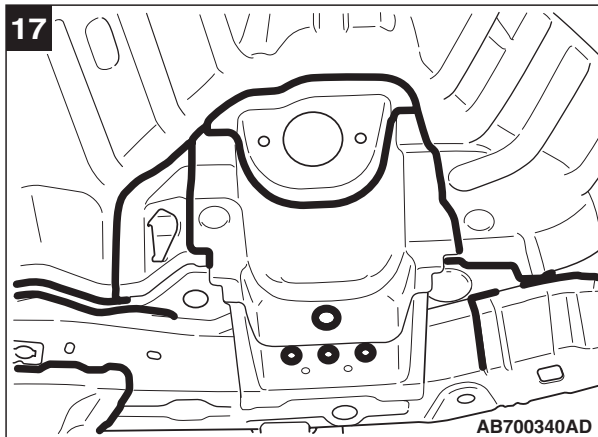
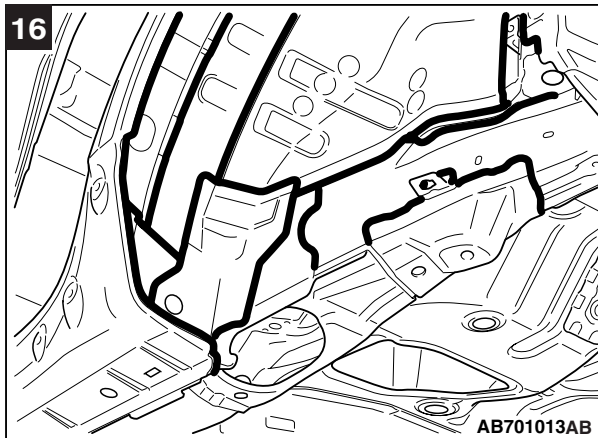
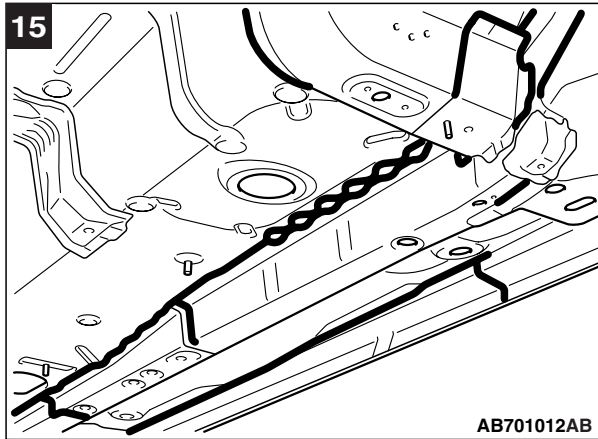
AB701025AB

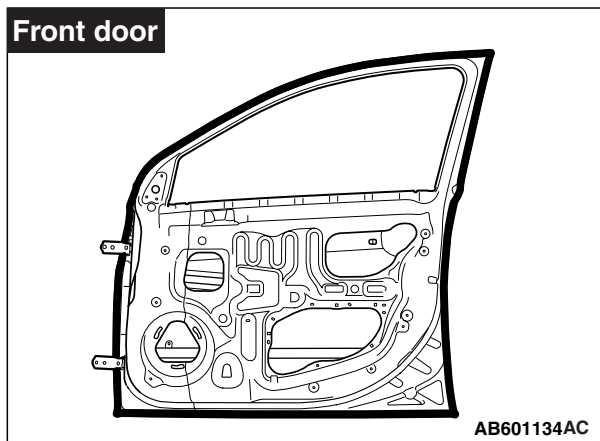
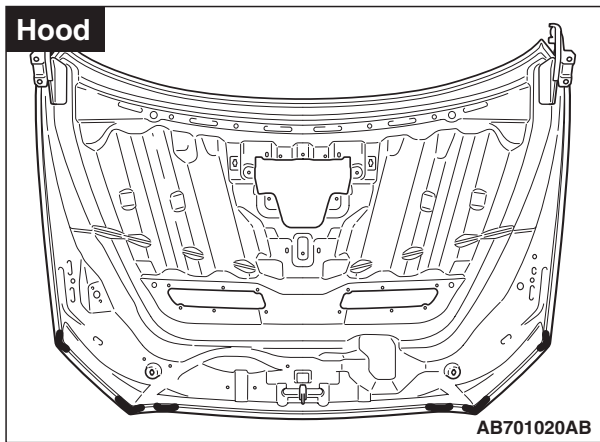
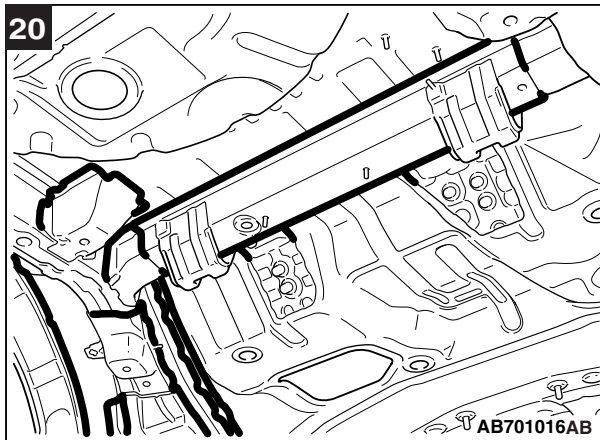
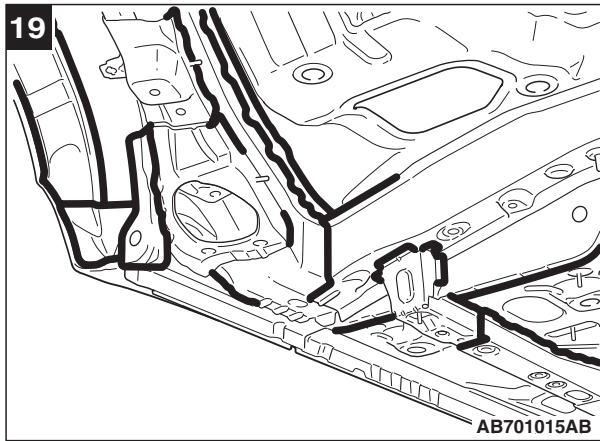




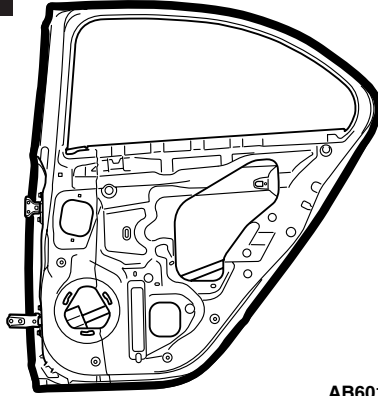






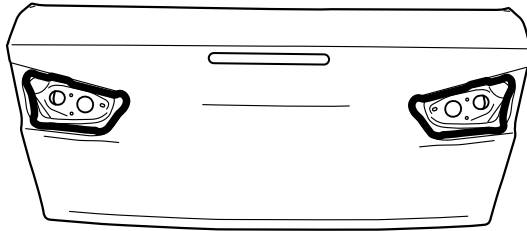


Rear door



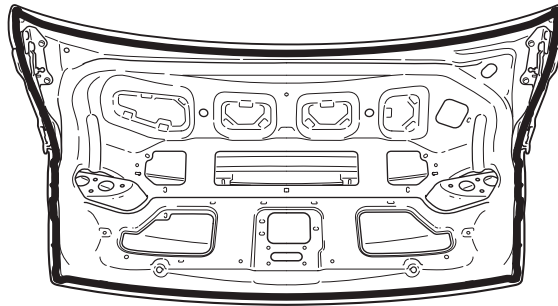
AB601135AC

Trunk lid (outer)



AB601136AC

Trunk lid (inner)

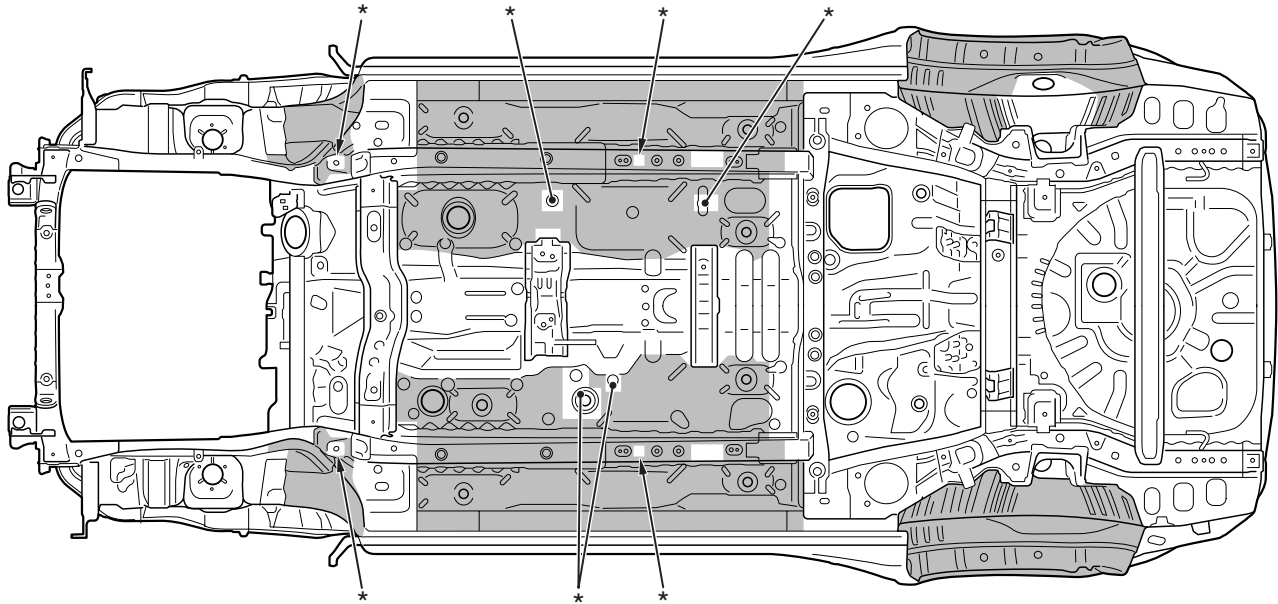


AB700344AB

UNDERCOAT APPLICATION LOCATIONS

M4040003001030

- The under parts of the body is undercoated for anti-corrosive, anti-rust, anti-chipping, and anti-vibration performance.
- After correcting the body, restore as shown in the instructions of the figure, if necessary.
- Tape the areas marked with an asterisks to protect those areas from getting any undercoating on those areas.



■ : Undercoat [film thickness is at least 0.5 mm (0.0197 inch)]

AB701026AB