
GROUP 26

FRONT AXLE

CONTENTS

GENERAL INFORMATION 26-2

GENERAL INFORMATION

M2260000101072

For the front axle, the unit bearing (double row angular contact ball bearing) in which the hub and ball bearing are incorporated has been adopted for the front wheel bearing, and the EBJ-ETJ type constant velocity joint for the front driveshaft.

There are the following features.

- The lightweight front driveshaft and compact EBJ-ETJ type constant velocity joint have been equipped.
- Due to the use of the output shaft, the right and left driveshafts have been approximately the same in length, reducing noise, vibration, and torque steer.
- The front driveshaft spline diameter on the wheel-side and differential-side has been increased, improving torsional strength.

- The ABS magnetic encoder for wheel speed detection has been integrated into the front wheel bearing, and the protector cover of magnetic encoder for wheel speed detection has been equipped to the driveshaft.
- The lead-free grease has been adopted for the constant velocity joint.
- Hexavalent chromium has been eliminated from the dust cover material and protector cover of magnetic encoder for wheel speed detection.

NOTE:

EBJ (High Efficiency Compact Birfield Joint): Joint which is lighter and more compact than BJ (Birfield Joint) by increasing the number of balls from six to eight

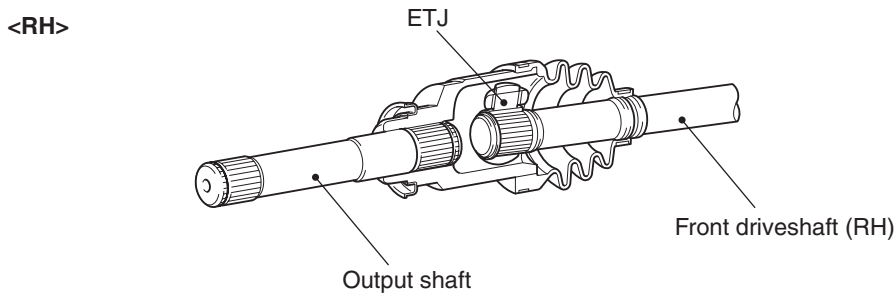
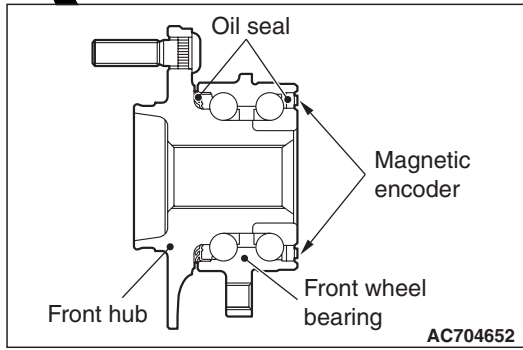
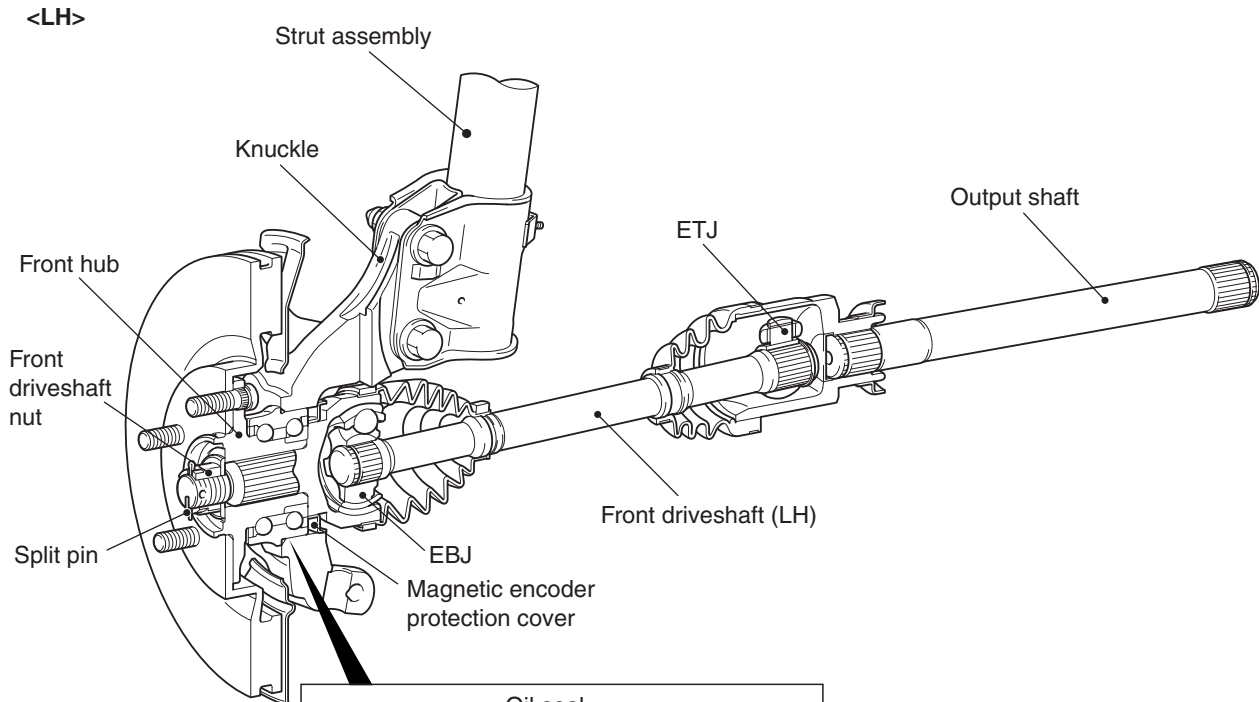
ETJ (High Efficiency Compact Tripod Joint): Joint which is lighter and more compact than TJ (Tripod Joint)

SPECIFICATIONS

Item		Specification		
Front wheel bearing	Bearing type			Unit bearing (double-row angular contact ball bearing)
Front driveshaft	Joint type	Outside	Outside	EBJ
		Inside	Inside	ETJ
	Shaft length* x shaft diameter mm (in)	LH	M/T	361.0 × 26 (14.2 × 1.0)
			TC-SST	336 × 26 (13.2 × 1.0)
	RH		442.5 × 26 (17.42 × 1.0)	

NOTE: *: Indicates the distance between each joint center.

CONSTRUCTION DIAGRAM



AC704636AB

NOTES