

---

**GROUP 14**

**ENGINE COOLING**

**CONTENTS**

|                                  |             |                         |             |
|----------------------------------|-------------|-------------------------|-------------|
| <b>GENERAL INFORMATION .....</b> | <b>14-2</b> | <b>WATER PUMP .....</b> | <b>14-3</b> |
| <b>WATER PASSAGE .....</b>       | <b>14-3</b> |                         |             |

## GENERAL INFORMATION

M2140000101051

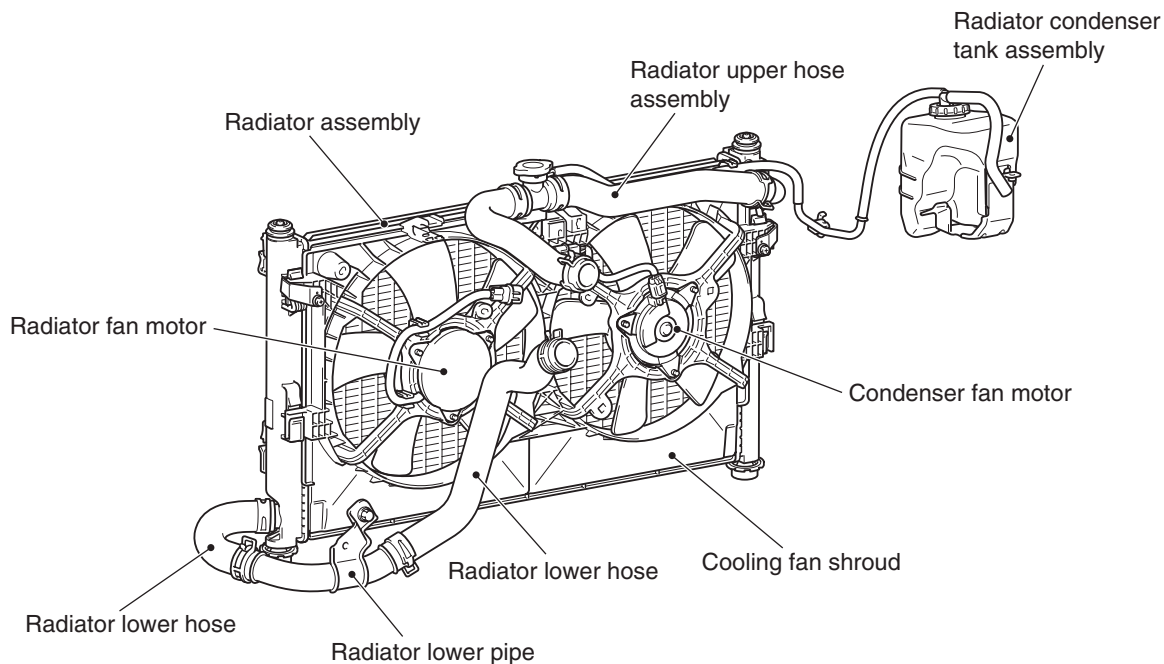
For the cooling system, in addition to the adoption of forced water-cooling circulation method to satisfy the engine cooling performance, a consideration has been given to its serviceability.

- The radiator fan diameter has been increased, and the condenser fan has been mounted to the back of radiator to increase the fan air volume and to improve the cooling performance.
- A cross flow type radiator has been adopted and the radiator core size has been increased to improve the cooling performance.
- Together with an adoption of resin cooling fan shroud, the radiator fan shroud and condenser fan shroud have been integrated for a weight reduction.

## SPECIFICATIONS

| Item           | Specification  |   |
|----------------|--|---|
| Cooling method | Water-cooled pressurized, forced circulation with electrical fan |   |
| Water pump     | Type   | Centrifugal impeller                    |
|                | Drive method   | Drive belt                              |
| Thermostat     | Type   | Wax pellet with jiggle valve            |
|                | Valve open temperature °C (°F)                                   | 76.5 (170)                              |
| Radiator       | Type   | Pressurized corrugate type              |
|                | Core size [width × height × thickness] mm (in)                   | 700 × 403.3 × 27 (27.56 × 15.88 × 1.06) |
|                | Performance kJ/h (kcal/h)  | 253,800 (60,630)                        |
| Radiator fan   | Fan size mm (in)   | φ340 (13.4)                             |
| Condenser fan  | Fan size mm (in)   | φ320 (12.6)                             |

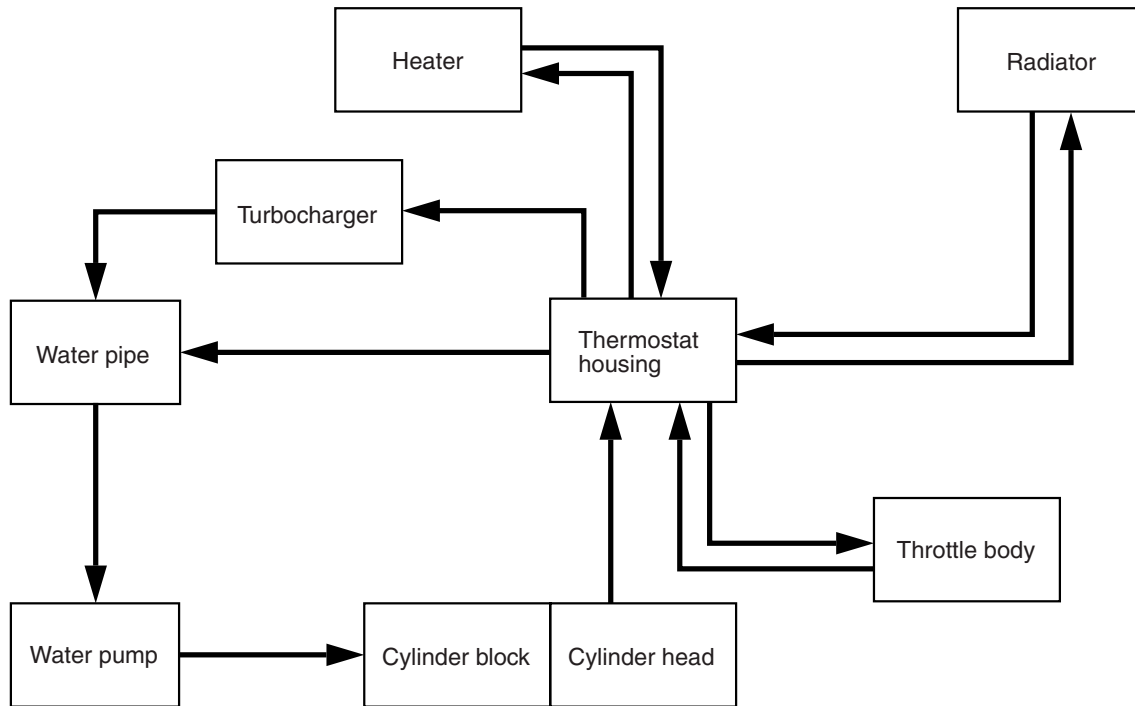
## CONSTRUCTION DIAGRAM



AC710569AB

## WATER PASSAGE

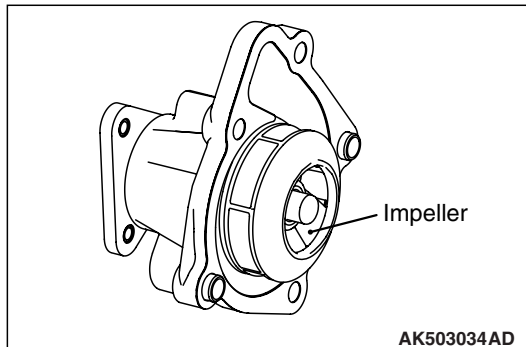
M2140004000398



AK703252AC

## WATER PUMP

M2140003000317



The water pump is the centrifugal, impeller type that is installed in front of the cylinder block. It is driven by the drive belt.

| Item   | Specifications |
|--|----------------|
| Discharge volume L/min<br>dm <sup>3</sup> (qt) | 185 (195)      |
| Impeller diameter mm (in)                      | 62 (2.4)       |
| Pulley outer diameter mm<br>(in)               | 137 (5.4)      |

---

## NOTES