
GROUP 55

**HEATER, AIR
CONDITIONING AND
VENTILATION**

CONTENTS

GENERAL DESCRIPTION.....	55-2	A/C COMPRESSOR.....	55-10
HEATER AND AIR CONDITIONING SYSTEM.....	55-6	CONDENSER.....	55-11
HEATER CONTROL.....	55-8	DUCT.....	55-11
A/C-ECU.....	55-9	VENTILATION SYSTEM.....	55-12

GENERAL DESCRIPTION

M2551001500084

The new HVAC unit integrates blower, and evaporator, it increases the air flow but reduces air flow resistance and air flow noise.

FEATURES**ENHANCEMENTS IN COMFORT**

- With the adoption of automatic A/C system, the air inlets (fresh air/recirculation air), the vents, temperature at the vents and fan speed are automatically controlled according to the outside temperature and cabin temperature so that the optimum air conditioning is achieved.
- By the adoption of clean air filter, the air quality in the cabin has been kept.

ENHANCEMENTS IN OPERATION PERFORMANCE

- Operability has been enhanced by the adoption of large triple dial.
- Customize function has been added for the enhanced convenience.

ENHANCEMENTS IN FUEL ECONOMY

- The high efficiency compressor with a 2-step and the oil separator has reduced A/C system workload, thus enhancing the fuel economy.
- The idle-up speed is controlled in two steps to secure the air cooling performance during summer and to enhance the fuel economy in the moderate seasons.
- The cooling fan control depending on the refrigerant pressure and on the vehicle speed reduce alternator load, thus enhancing the fuel economy.

ENHANCEMENT IN SAFETY

- A/C system will shut down automatically if the air bags are open.
- Crushable space has been adopted into HVAC unit to reduce the risk of passenger injuries if a collision occurred.

GLOBAL ENVIRONMENT PROTECTION

- New refrigerant system (HFC134a) has been adopted.
- Clean air filter media and its cover are separated to reduce waste materials, when replacing the filter.

ENHANCEMENTS IN SERVICE QUALITY

- Reduction of refrigerant gas leakage and enhancement in serviceability by incorporating condenser and receiver
- Clean air filter is installed to the backside of glove box to facilitate the filter replacement.

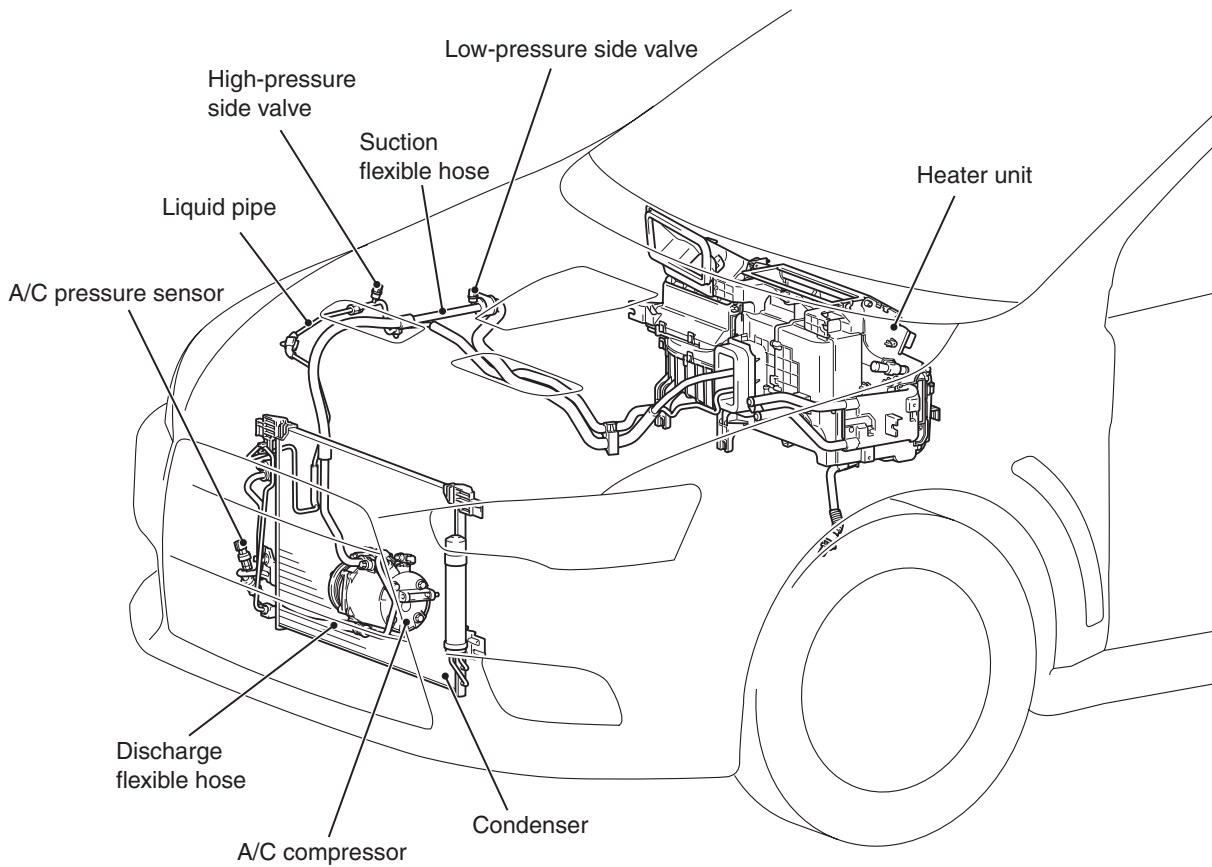
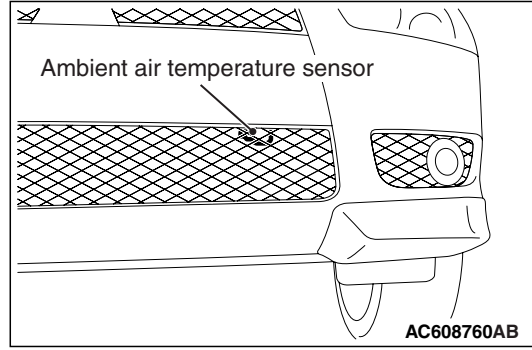
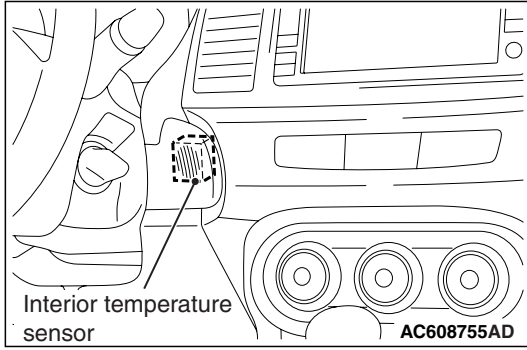
ENHANCEMENTS IN RESPONSIBILITY

Reliable information transmission is achieved by connecting A/C-ECU and each ECU via CAN communication.

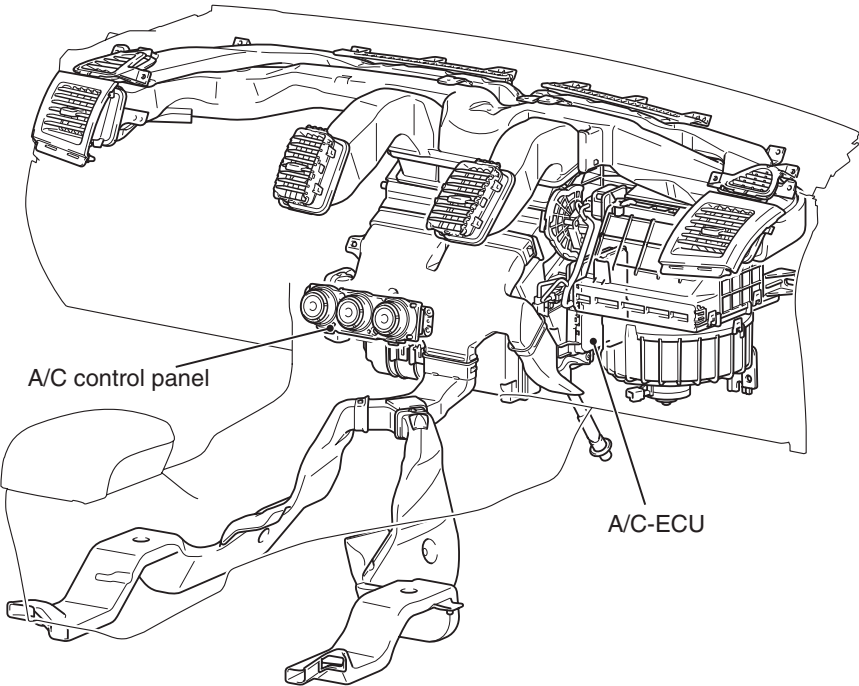
SPECIFICATIONS

ITEM		SPECIFICATION
Air conditioning switch type		Rotary type
Compressor type		MSC90CAS
Cooling output		5.5 kw
Heating output		5.7 kw
Refrigerant	Type	R134a (HFC-134a)
	Charge quantity g (oz.)	480 - 520 (16.9 - 18.3)

CONSTRUCTION DIAGRAM

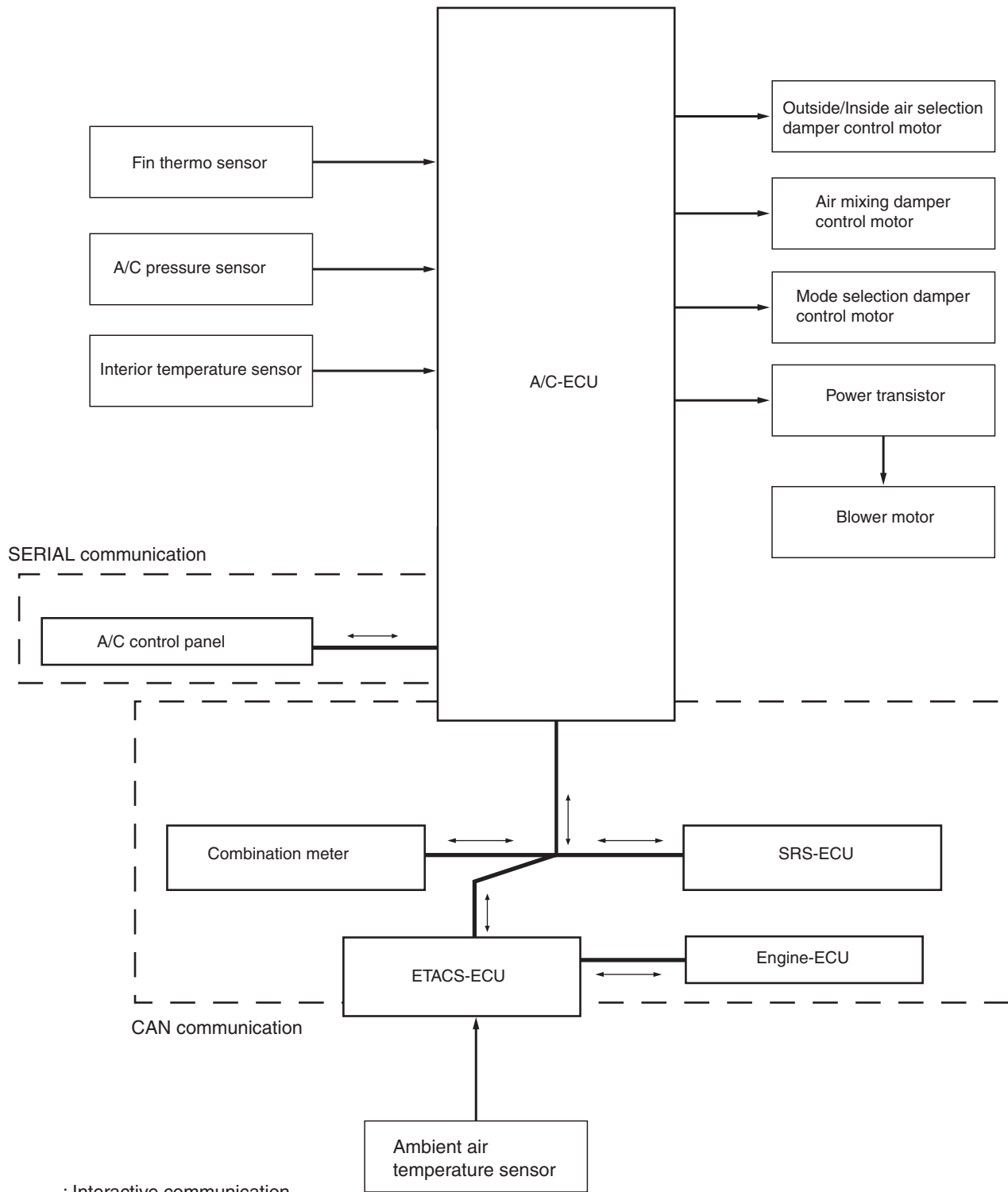


AC708434AC



AC708612

COMMUNICATION

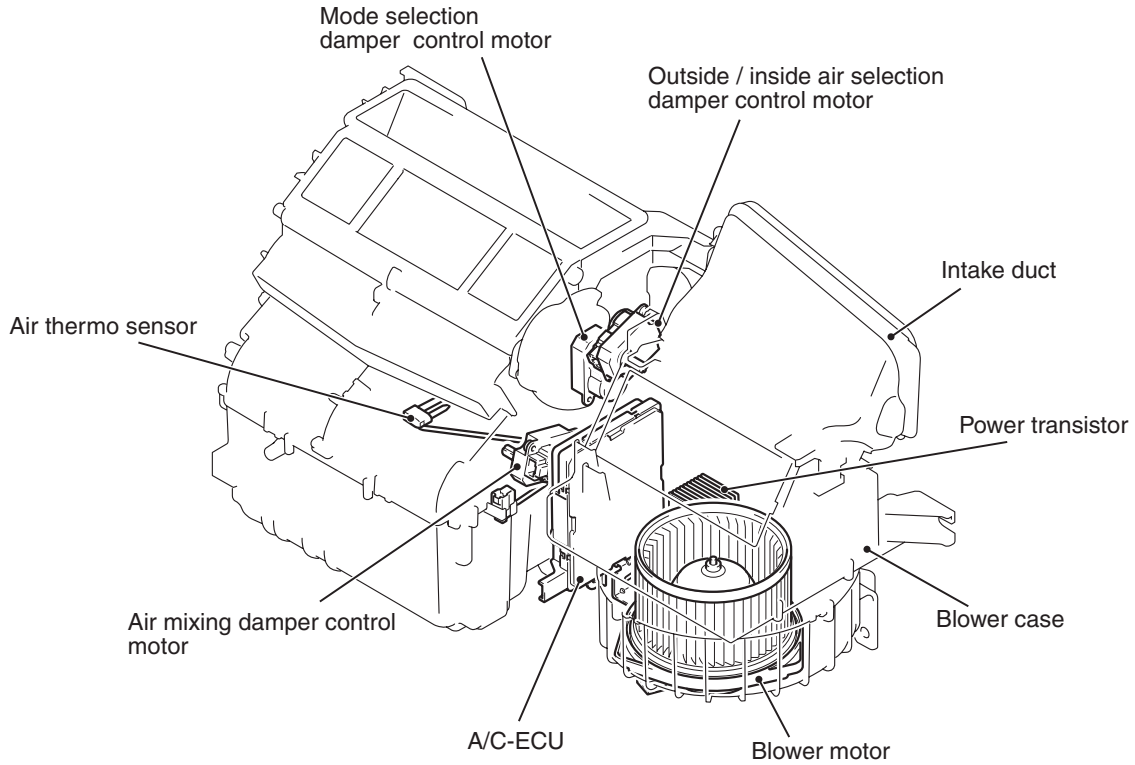


AC705259AB

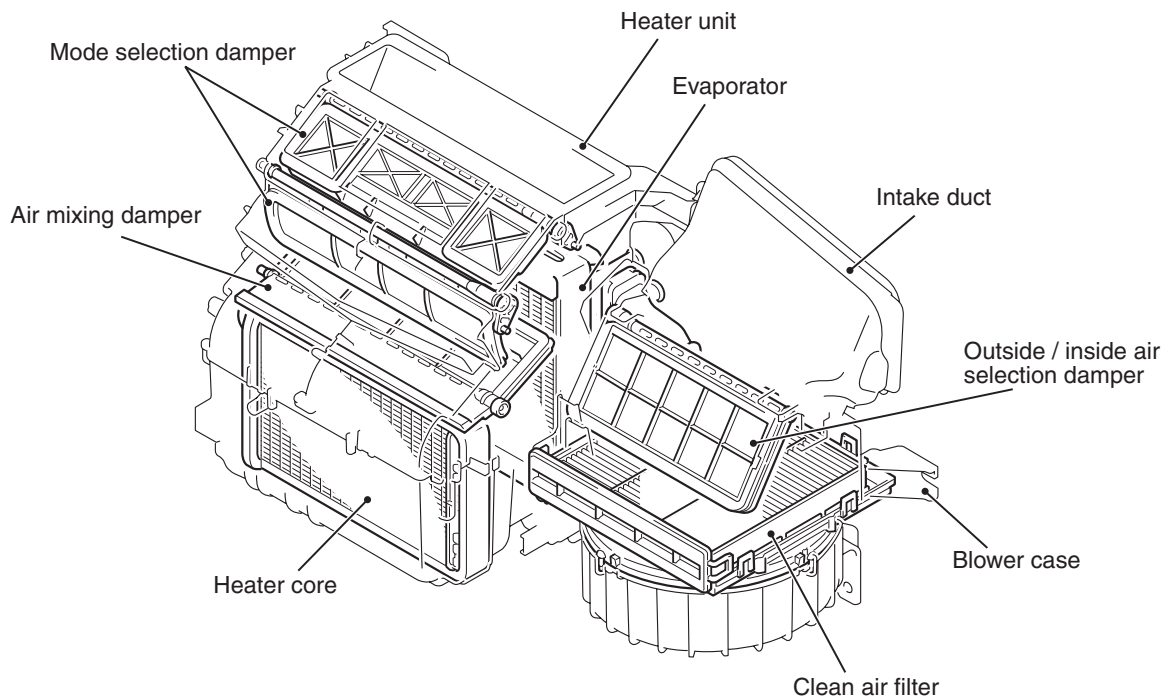
HEATER AND AIR CONDITIONING SYSTEM

M2551001000669

HEATER UNIT ASSEMBLY



AC607858AB



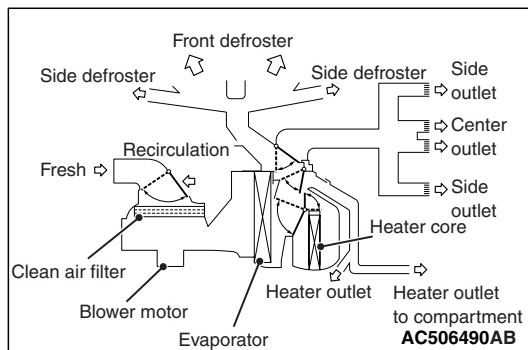
AC607857AB

The following new unit integrated blower, heater and evaporator to increase the air flow, reduce noise, and enhanced cooler and heater performance;

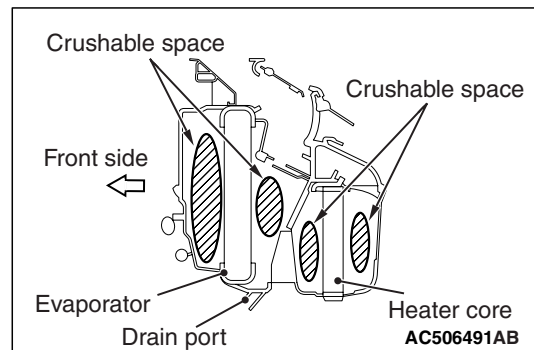
- Integrated heater/cooling unit has been adopted for large air flows and low noise.
- Crushable space has been secured to reduce the risk of passenger injuries.
- Air mix damper that is also used as a reheating prevention damper has been adopted to enhance the air cooling performance.
- The A/C condensate water outlet (drain port) has been installed to behind the evaporator to restrain the clogging of drain by foreign materials.
- The outlet air temperature of the defroster has been set lower than that of foot to prevent overheating the driver's face.

- Fin thermo sensor to directly measure evaporator temperature reduces occurrence risk of an evaporator freeze which will lead to the compressor lock.
- Clean air filter has been introduced as standard to protect the unit from the intrusion of foreign materials (fallen leaves and others). and, it removes the pollen and dust, and enhances the air quality inside the passenger compartment.
- Clean air filter media and cover have been separated to reduce the waste material amount generated during the filter replacement.
- The installation position of clean air filter has been set to the backside of glove box to facilitate the filter replacement operation. And, the one-touch tab structure has been adopted for the cover installation to enable the replacement operation without tools.

OPERATION



CRUSHABLE SPACE

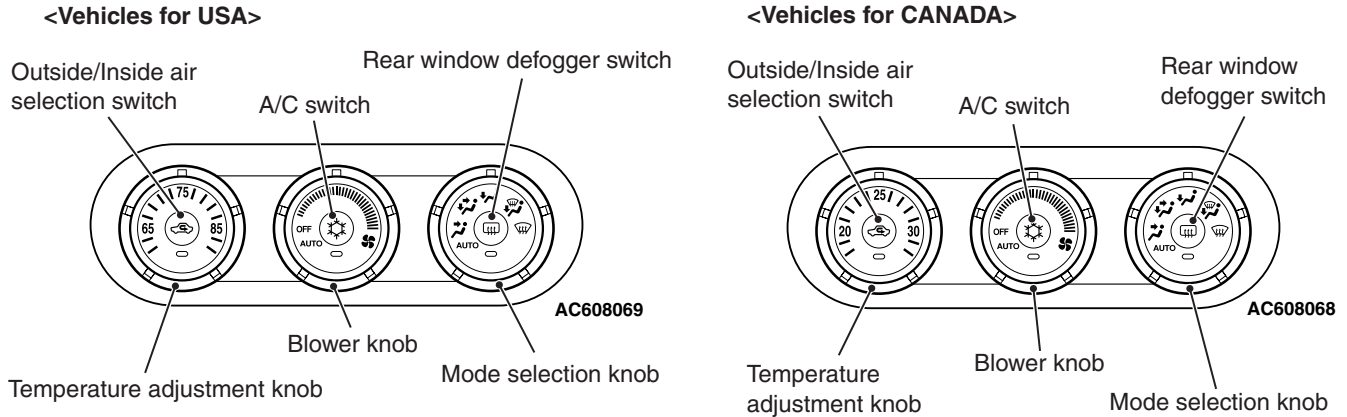


The evaporator and heater core has been longitudinally installed in the vehicle length, and the crushable space has been adopted so that the structure absorbs the impact and reduces the risk of passenger injuries, if a collision occurred.

HEATER CONTROL

M2551000900584

HEATER CONTROLLER



AC708613AB

The features of the heater controller described below have been designed for better appearance, easier operation, and enhanced visibility.

- Each dial for the air outlet switching, fan volume control, and temperature adjustment has been enlarged to enhance operability.
- Ring lights have been adopted to inside the dials to enhance appearance during nighttime.
- AUTO and OFF positions of the fan volume control dial have been exchanged with one another. This change prevents the dial to pass the AUTO position when the fan volume control is turned OFF, and eliminates the necessity of manual reselection when switching the inside/outside air selection manually, thus enhancing the operability.
- When the air outlet switching dial and fan volume control dial are turned to the AUTO position, the A/C switch has been made to automatically turn ON to enhance convenience. (Using the customize function, this function can be cancelled. Refer to [P.55-9](#).)

A/C-ECU

M2551001200403

CONTROL

FORCED DEF CONTROL

When air outlet position is switched to DEF, A/C is automatically turned ON, and outside/inside air selection damper is set to the fresh air position to quickly defrost the windshield screen.

OUTLET AIR TEMPERATURE CONTROL

The engine coolant and evaporator temperature have been additionally calibrated to stabilize the temperature at vents and improve A/C controllability.

COOLING FAN SPEED CONTROL

According to the refrigerant pressure and the vehicle speed, the cooling fan speed is controlled to reduce the exterior noise and the load of the generator for fuel economy.

MAX COOL, MAX HOT CONTROL

When the set temperature is at 18.0 °C <61°F> (MAX COOL) or at 32.0 °C <89°F> (MAX HOT) with the air outlet and air volume at the AUTO positions, the following controls are made automatically by the A/C-ECU.

Subject to control	MAX COOL	MAX HOT
Air mix damper	MAX COOL position	MAX HOT position
Air outlet mode	FACE position	FOOT position
Air volume	Maximum	Maximum
Outside/inside air selection damper	Air recirculation position*	Fresh air position*
Air conditioning switch	ON*	OFF*

NOTE: "" indicates that when the automatic control is not cancelled using the customize function, the manual operation is disabled.*

REAR WINDOW DEFOGGER TIMER CONTROL

In order to prevent battery consumption, the defogger is automatically turned OFF, 20 minutes after it is turned ON.

IDLE-UP CONTROL

A/C-ECU and the engine ECU communicate with each other through the CAN communication. The idle-up speed of the engine is controlled in two steps depending on the A/C load to secure the air cooling performance during summer and to enhance fuel economy in moderate seasons moderate.

DETECTION CONTROL FOR REFRIGERANT LEAKS

A/C-ECU determines if the refrigerant amount is less than specified or refrigerant pressure is abnormal by using the ambient temperature (ambient temperature sensor to measure refrigerant inflation rate) and refrigerant pressure (measured by the A/C pressure sensor). When refrigerant amount or refrigerant pressure is judged abnormal, the compressor is cut-off to protect the A/C system.

NOTE: When abnormality occurs, the A/C indicator flashes.

PROTECTION CONTROL AT AIR BAG DEPLOYMENT (DURING COLLISION)

When the air bag open is detected, the A/C system will shut down automatically.

CUSTOMIZED FUNCTIONS

Depending on the user's preference, the following functions can be adjusted. The programmed information is held even when the battery is disconnected.

- Automatic control for inside/outside air selection
Press and hold (approximately for 10 seconds) the inside/outside air selection switch to cancel or resume the automatic control for inside/outside air selection.
- A/C automatic control
Press and hold (approximately for 10 seconds) the A/C switch to cancel or resume the A/C automatic control.

COMMUNICATION

A/C-ECU performs the signal transmission and reception with each ECU via CAN (Controller Area Network)*. Also, with the heater control panel, it transmits and receives signals via serial communication.

*NOTE: *: For details of CAN communication, refer to GROUP 54C – Controller Area Network P.54C-2.*

DIAGNOSTIC FUNCTION

A/C-ECU has the following functions for easier system checks.

- Diagnostic function
- Service data output
- Actuator test

NOTE: For each item, refer to the Workshop Manual.

A/C COMPRESSOR

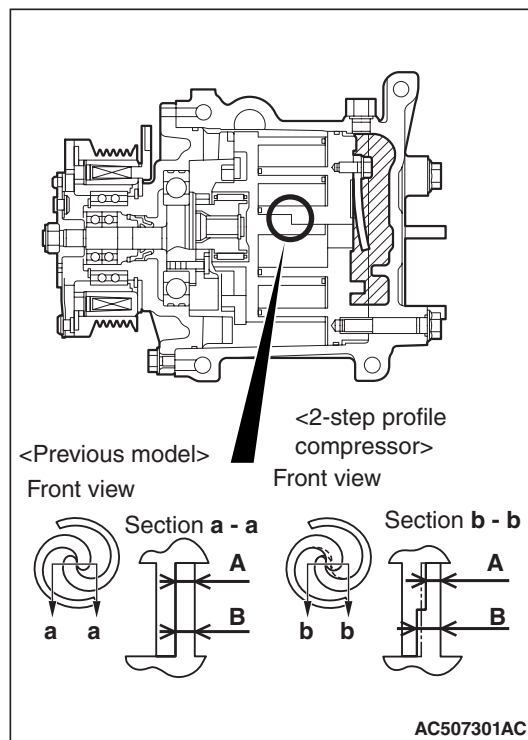
M2551001100354

HIGH EFFICIENCY COMPRESSOR WITH INTEGRATED OIL SEPARATOR

High efficiency compressor with integrated oil separator has been adopted to enhance fuel economy by reducing the A/C workload.

MAGNETIC CLUTCH WITH THERMAL FUSE

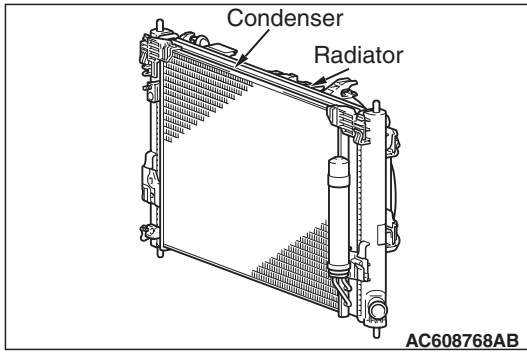
At the compressor lock, the thermal fuse integrated in the magnet clutch is blown due to the frictional heat against the compressor in order to reduce risk of snapping off accessory belt. The thermal fuse, together with the coil, is coated with resin to enhance resistance to corrosion.

2-STEP PROFILE COMPRESSOR

The center area of the scroll in the compressor provides 2-step profile, and thickness of area "B" shown in the figure has been increased to enhance strength. With this feature, thickness of area "A" shown where lesser load is applied is reduced, thus compressor performance is enhanced by compressing refrigerant even in central area, comparing to the previous model.

CONDENSER

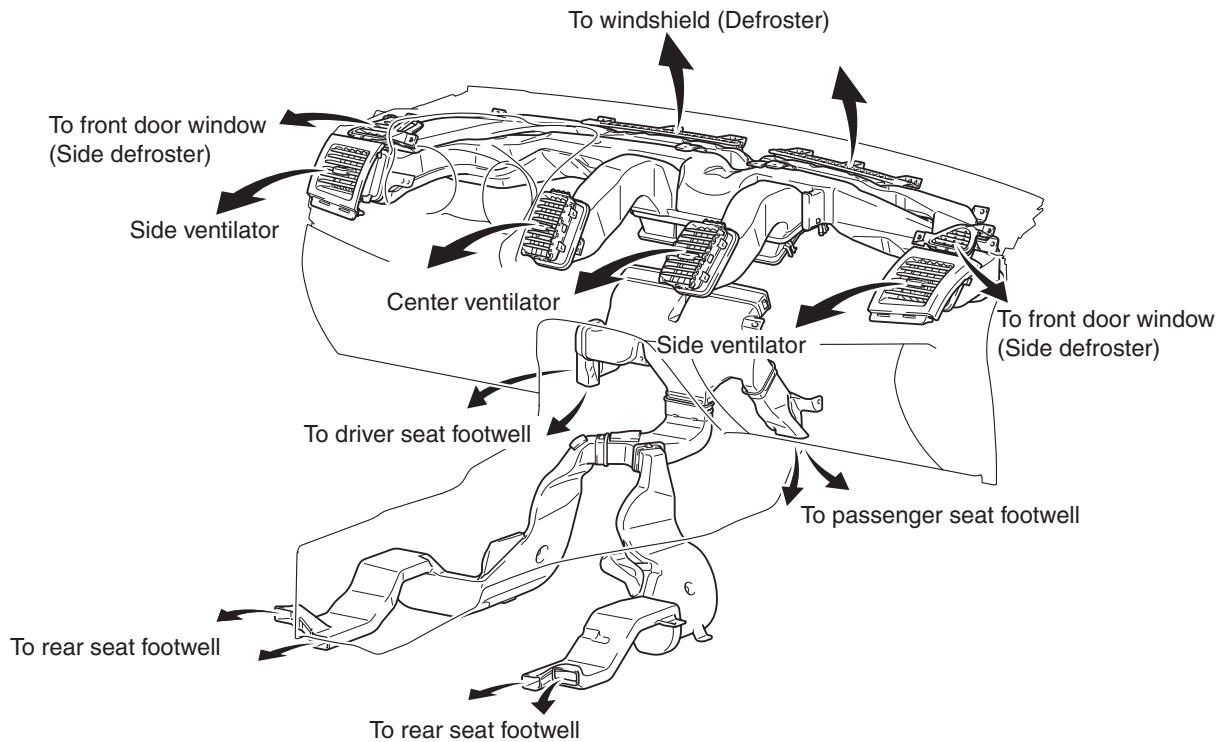
M2551001400214



The condenser has been integrated with the radiator (cooling module) to optimize air flow and reduce weight.

DUCT

M2551001300518

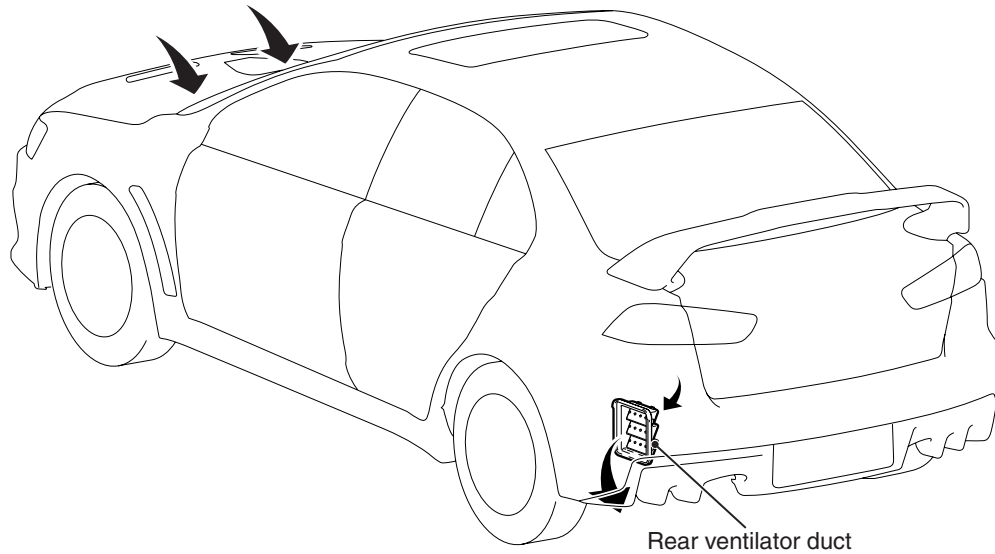


The rear heater duct has been introduced, and the air distribution ratio to front and rear seats has been optimized in order to enhance the air heating performance for the rear seats, and to prevent the circulation of cooled air back to the front seats.

AC708628AB

VENTILATION SYSTEM

M2551002000725



Fresh air is drawn in from the front deck and expelled from the air outlet behind the rear bumper. Optimizing areas of the outside air induction hole and the air outlet enhances ventilated air flow and cabin quietness.

AC705661AC