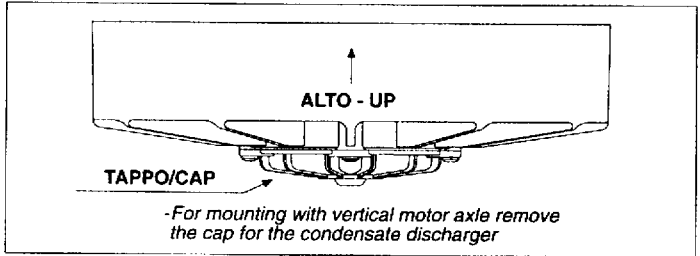
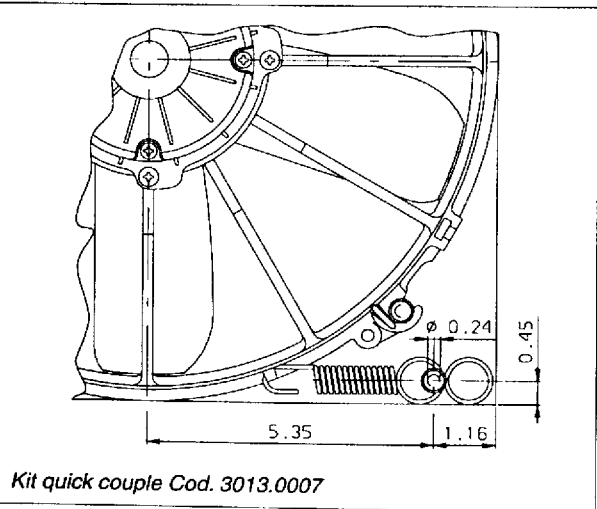
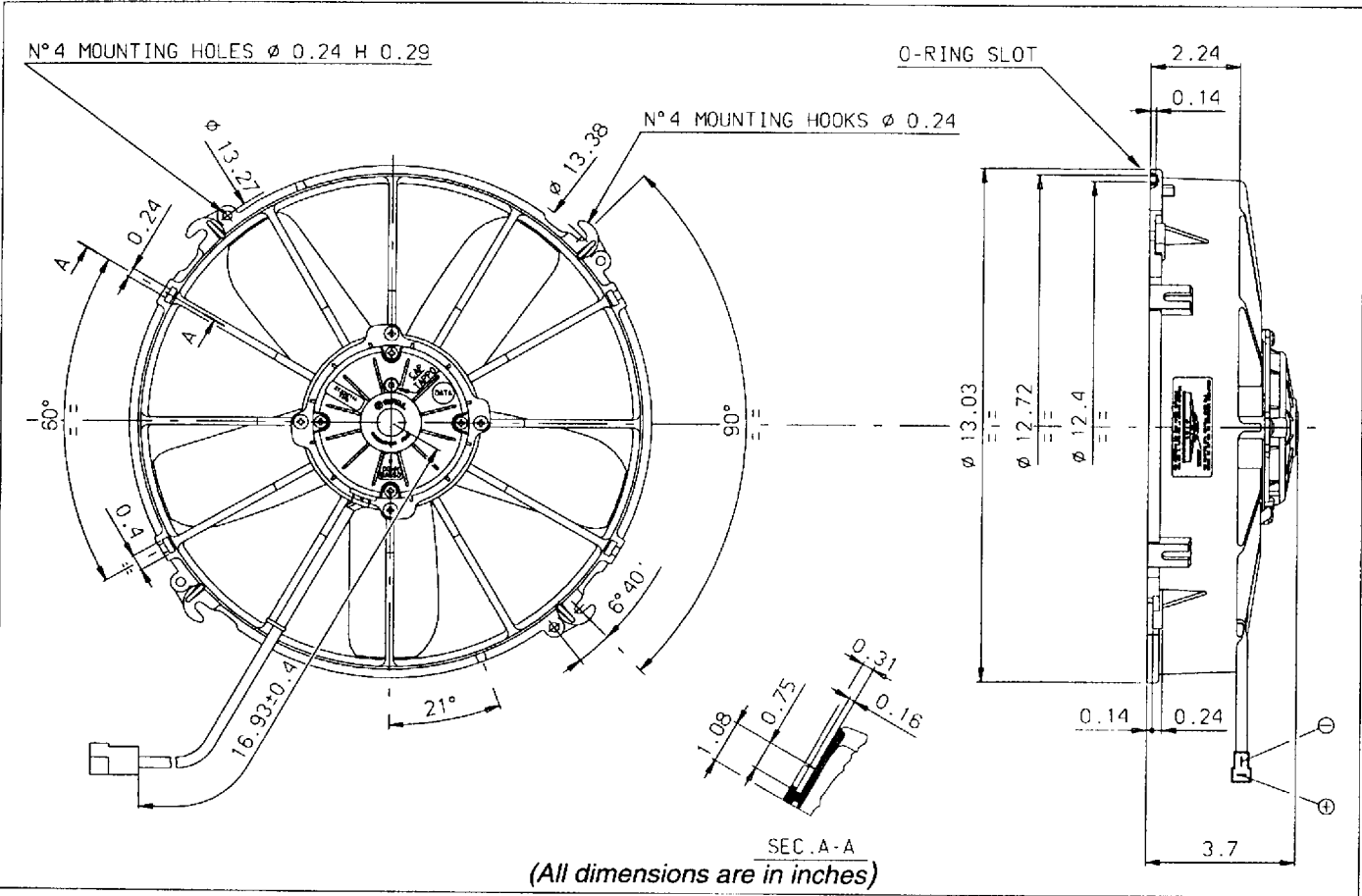


<p>Art. 30100176 30100175</p>	<p>Type VA01 - AP6 - 36A Pull VA01 - AP6 - 36S Push</p>	<p>Fan diameter 12"</p>
---------------------------------------	---	-----------------------------



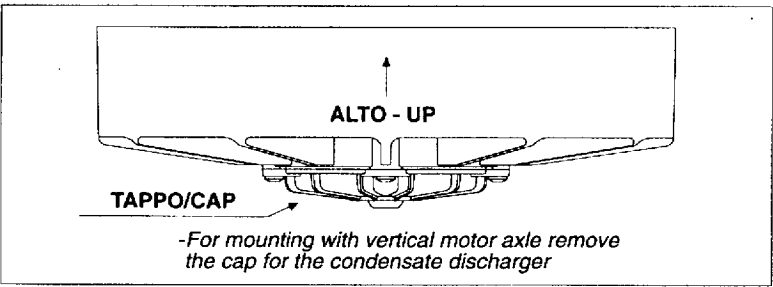
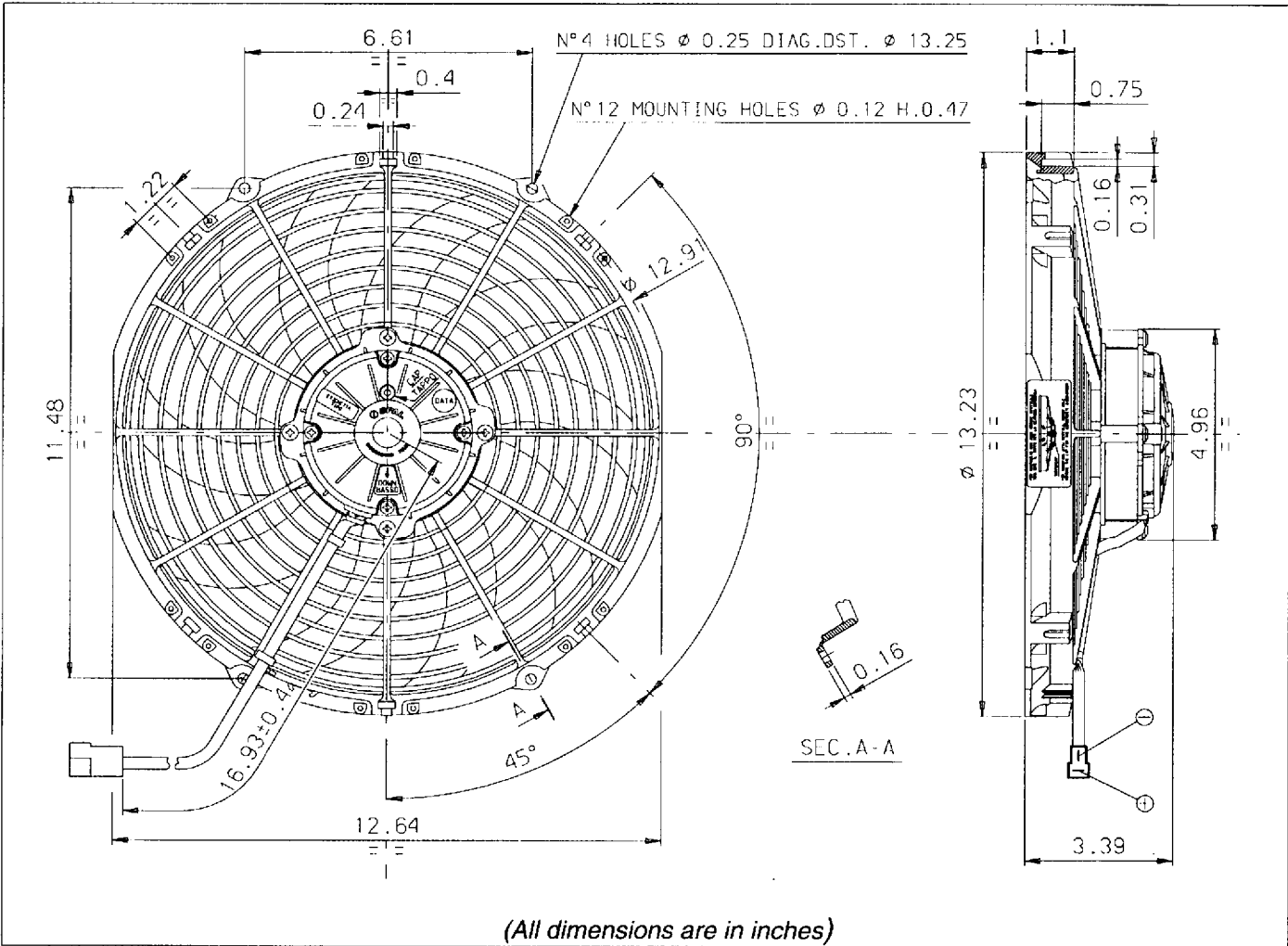
Test voltage 13 V DC

Static pressure in H <sub>2</sub> O	Airflow cfm	Current input A
0	1630	14.5
0.2	1450	15
0.4	1240	16
0.6	950	17
0.8	590	17.8
1.0	420	18.5
1.2	270	19
1.4	-	20

Static pressure: 1 mm H<sub>2</sub>O = 0.04 in. H<sub>2</sub>O  
Airflow: 1 m<sup>3</sup>/h = 0.59 cfm

- \* Weight 5.39 lbs. approx.
- \* Closed motor
- \* Long life
- \* Available accessories: all the mounting kits.

Art. 30100439 30100822	Type VA10 - AP6 - 61A Pull VA10 - AP6 - 61S Push	Fan diameter 12"
------------------------------	--	---------------------



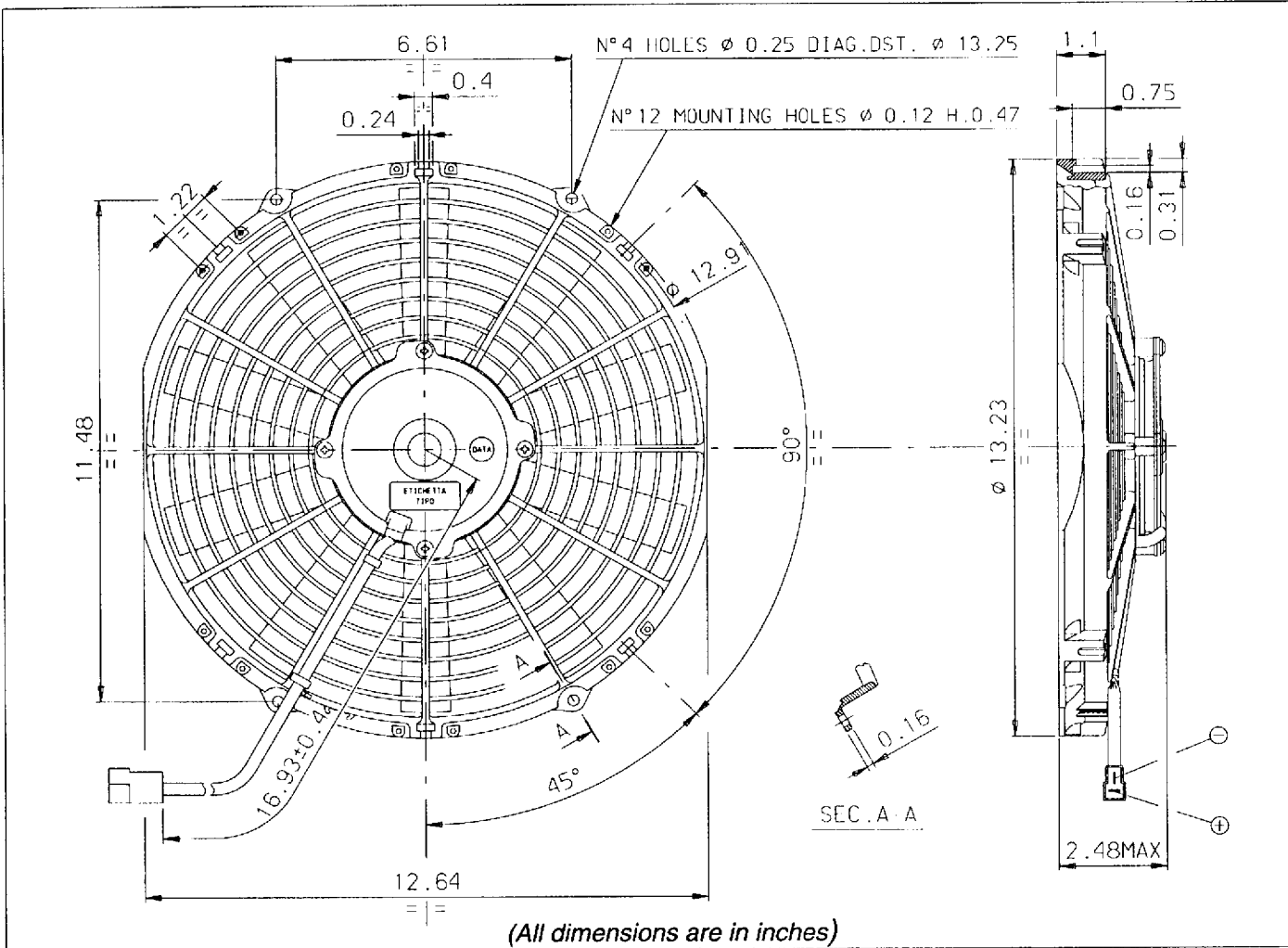
- \* Weight 5.17 lbs. approx.
- \* Long life
- \* Fan with back skewed blades
- \* Low noise
- \* Available accessories: all the mounting kits.

Test voltage 13 V DC

Static pressure	Airflow	Current input
in. H <sub>2</sub> O	cfm	A
0	1360	13.5
0.1	1300	13.6
0.2	1240	14
0.3	1130	14
0.4	1000	14.2
0.5	920	14.2
0.6	770	14.3
0.7	510	14
0.8	240	13.5
0.9	-	13.6

Static pressure: 1 mm H<sub>2</sub>O = 0,04 in. H<sub>2</sub>O  
Airflow: 1 m<sup>3</sup>/h = 0,59 cfm

<b>Art.</b> 30101504 30101505	<b>Type</b> VA10 - AP50/C - 25A Pull VA10 - AP50/C - 25S Push	<b>Fan diameter</b> <b>12"</b>
-------------------------------------	---	-----------------------------------



Test voltage 13 V DC

Static pressure	Airflow	Current input
in. H <sub>2</sub> O	cfm	A
0	1230	11.8
0.1	1160	12.1
0.2	1090	12.5
0.3	1030	12.7
0.4	940	12.7
0.5	850	12.6
0.6	710	12.3
0.7	560	12.1
0.8	430	12.3
1.0	200	12.2
1.2	-	12.4

 Static pressure: 1 mm H<sub>2</sub>O = 0,04 in. H<sub>2</sub>O  
 Airflow: 1 m<sup>3</sup>/h = 0,59 cfm

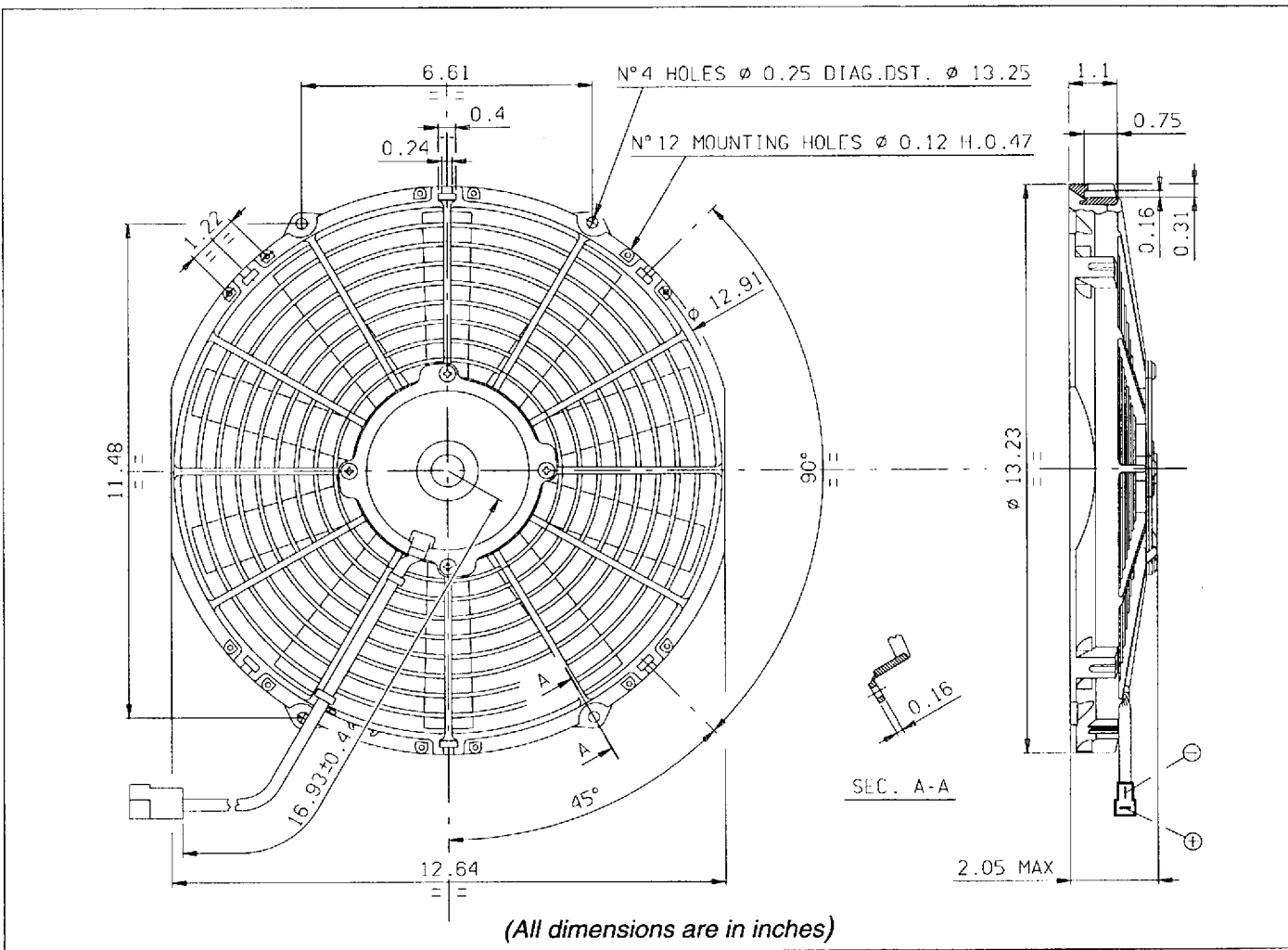
\* Weight 3.3 lbs. approx.

\* Long life

\* Closed motor

\* Available accessories: all the mounting kits.

<p>Art. 30100375 30100384</p>	<p>Type VA10 - AP9/C - 25A Pull VA10 - AP9/C - 25S Push</p>	<p>Fan diameter 12"</p>
---------------------------------------	---	-----------------------------

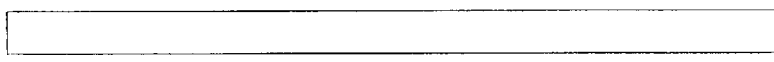


\* Weight 2.5 lbs. approx.

\* Closed motor

\* Long life

\* Available accessories: all the mounting kits.



Test voltage 13 V DC

Static pressure in. H <sub>2</sub> O	Airflow cfm	Current input A
0	870	7
0.1	770	7.2
0.2	680	7.4
0.3	590	7.5
0.4	430	7.4
0.5	240	7.4
0.6	100	7.4
0.7	—	7.4

Static pressure: 1 mm H<sub>2</sub>O = 0,04 in. H<sub>2</sub>O  
Airflow: 1 m<sup>3</sup>/h = 0,59 cfm