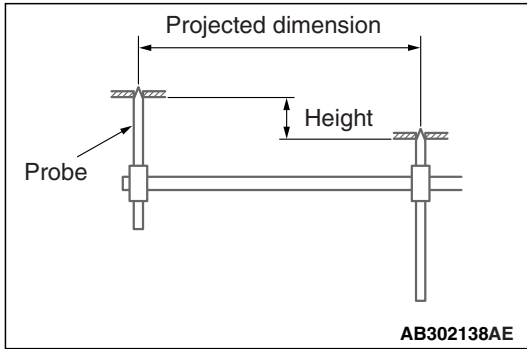

GROUP 2**BODY DIMENSIONS****CONTENTS**

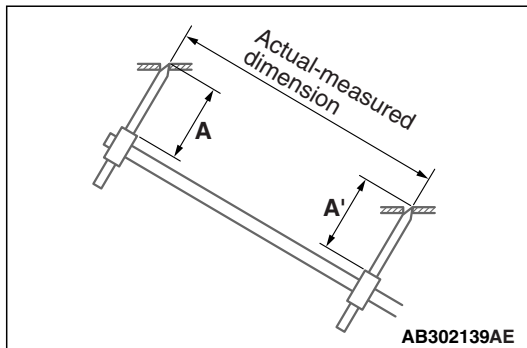
BODY DIMENSIONS AND MEASUREMENT METHODS	2-2	TYPE B (ACTUAL-MEASUREMENT DIMENSIONS)	2-8
TYPE A (PROJECTED DIMENSIONS)	2-3	UNDER BODY.....	2-8
UNDER BODY	2-3	SUSPENSION INSTALLATION DIMENSIONS	2-10
SUSPENSION INSTALLATION DIMENSIONS	2-5	FRONT BODY.....	2-13
		SIDE BODY.....	2-16
		REAR BODY	2-18
		INTERIOR	2-20

BODY DIMENSIONS AND MEASUREMENT METHODS

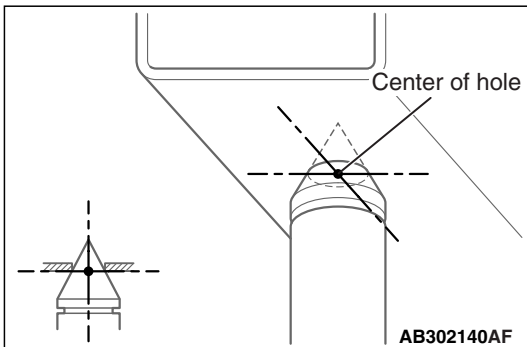
M4020001000448



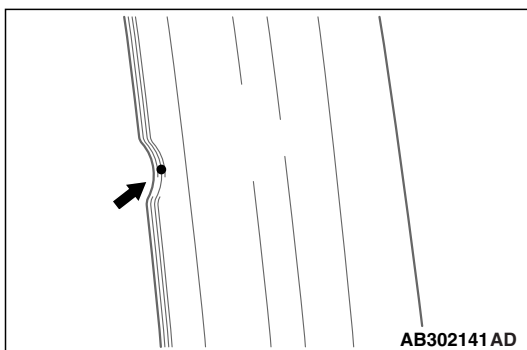
- Type A (projected dimensions) is the dimension when a measurement location is projected onto the plane.
NOTE: The height indicates a distance from the assumed standard line established 100 mm (3.9in) below the lowest measurement point.



- Type B (actual-measurement dimensions) is the actual distance between the measurement points. Measure using a tracking gauge or a measuring tape, etc.
NOTE:
 - Make the lengths of the tracking gauge probes the same ($A=A'$).
 - Do not bend or twist the measuring tape.



- Insert the tracking gauge probes securely into the measurement holes.
- When the standard dimensions in the illustration are enclosed by rectangle, this indicates that the symmetrical left and right positions have the same dimensions.



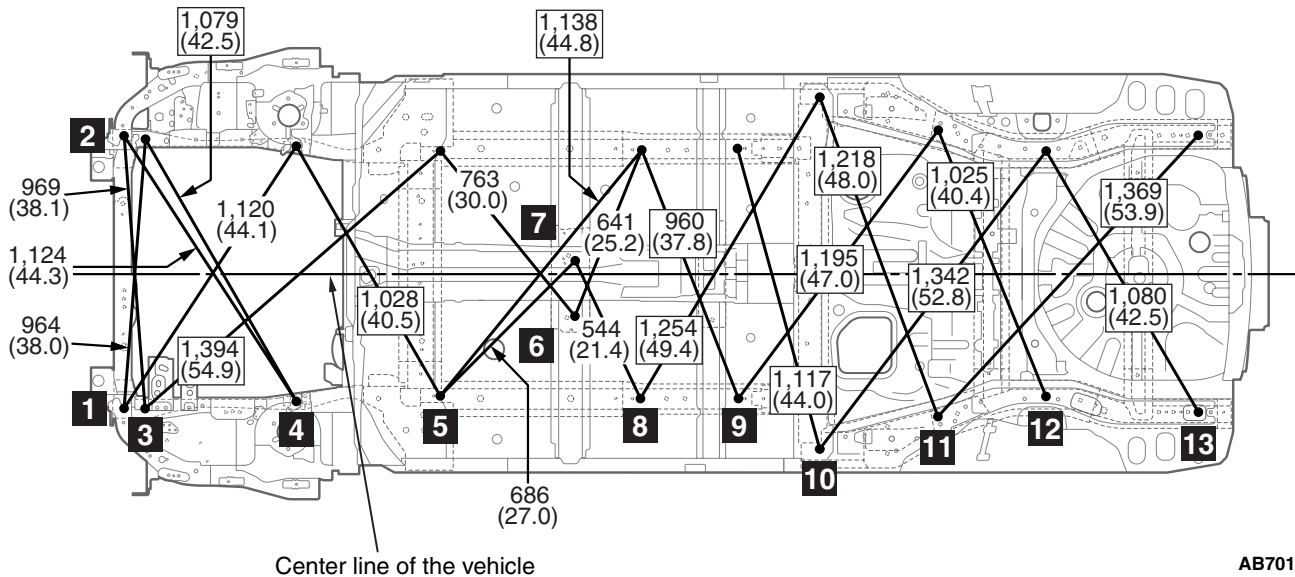
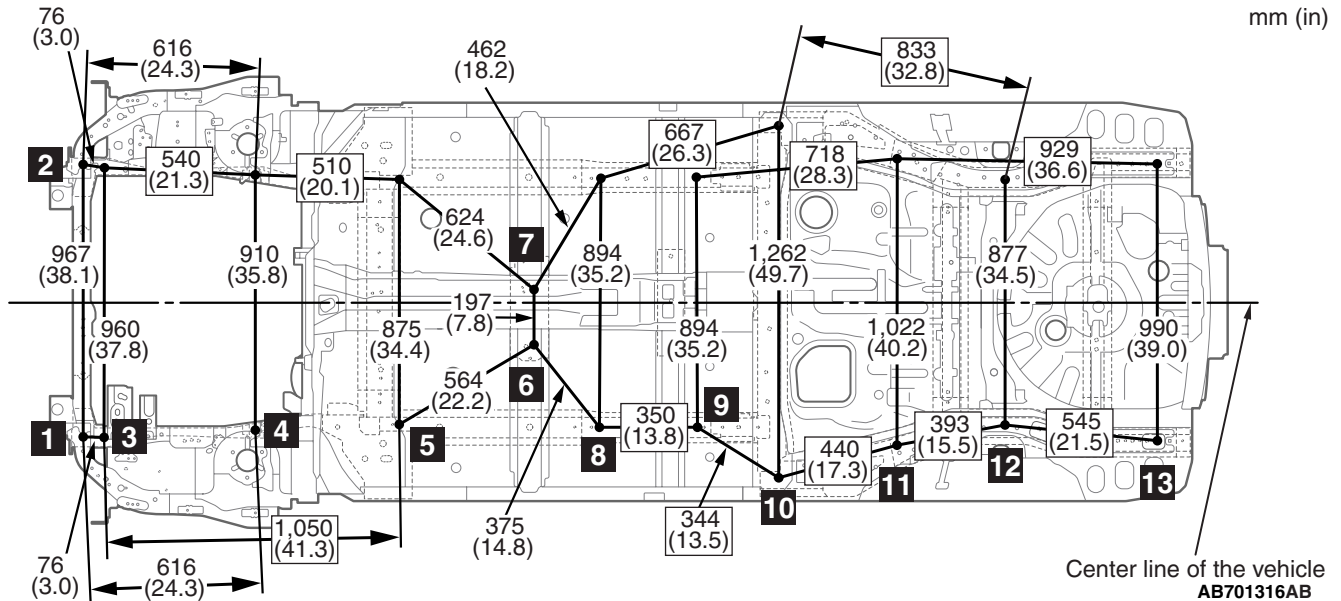
- When using a notch for dimension measurement, set the measuring point at the center of the outer panel notch.
- The body center points are shown for the purpose of checking the position of the left and right symmetry location.

TYPE A (PROJECTED DIMENSIONS)

UNDER BODY

M4020005002253

mm (in)



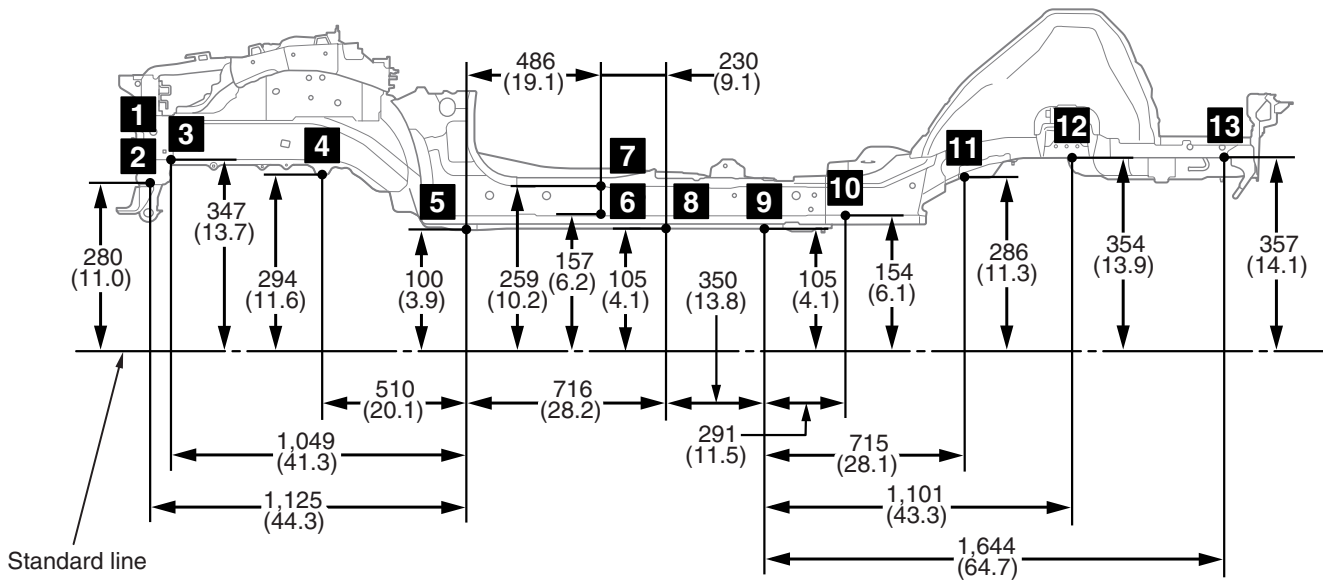
No.	Standard measurement point	Hole shape	Size mm (in)
1	Center of front end crossmember lower water draining hole (left side)	Round	8.0 (0.31)
2	Center of front end crossmember lower water draining hole (right side)	Round	8.0 (0.31)
3*	Center of front sidemember inner positioning hole	Round	25.0 (0.98)
4*	Center of front axle crossmember mounting hole (front)	Round	15.5 (0.61)
5*	Center of front sidemember rear water draining hole	Round	16.0 (0.63)
6	Center of front floor backbone brace mounting hole (left side) <Except RALLIART>, Center of propeller shaft mounting hole (left side) <RALLIART>	Round	11.0 (0.43)
7	Center of front floor backbone brace mounting hole (right side) <Except RALLIART>, Center of propeller shaft mounting hole (right side) <RALLIART>	Round	11.0 (0.43)

**BODY DIMENSIONS
TYPE A (PROJECTED DIMENSIONS)**

No.	Standard measurement point	Hole shape	Size mm (in)
8*	Center of front floor sidemember positioning hole (front)	Round	16.0 (0.63)
9*	Center of front floor sidemember positioning hole (rear)	Round	16.0 (0.63)
10*	Center of rear floor sidemember lower positioning hole (front)	Oblong	33.9×18.0 (1.33×0.71)
11*	Center of rear suspension bracket front water draining hole	Round	16.0 (0.63)
12*	Center of rear floor sidemember lower positioning hole (rear)	Round	25.0 (0.98)
13*	Center of rear floor sidemember extension water draining hole	Round	14.0 (0.55)

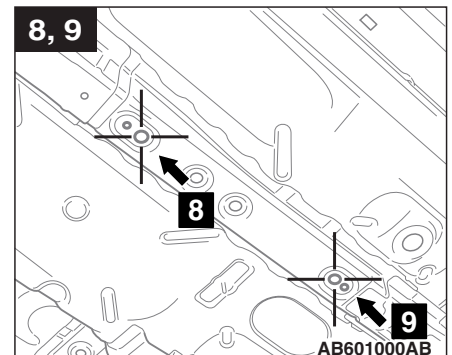
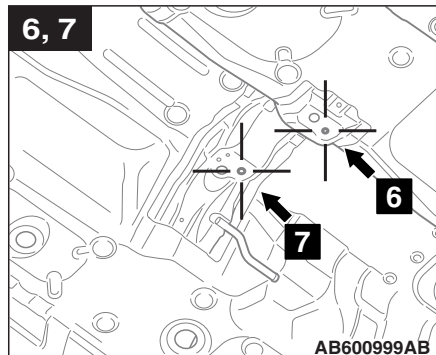
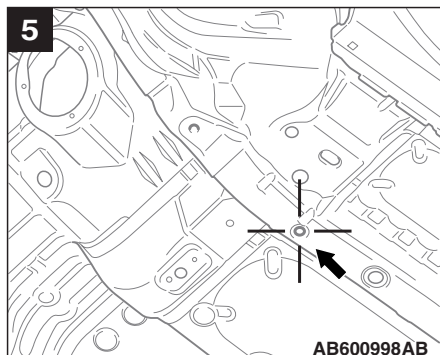
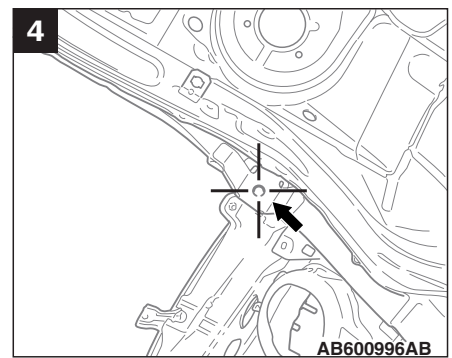
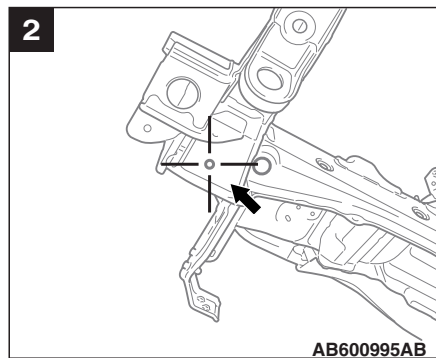
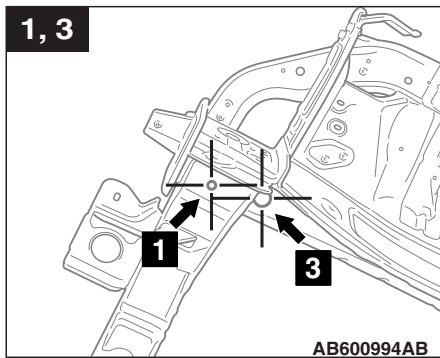
NOTE: The * mark indicates the mounting position for the frame centering gauge.

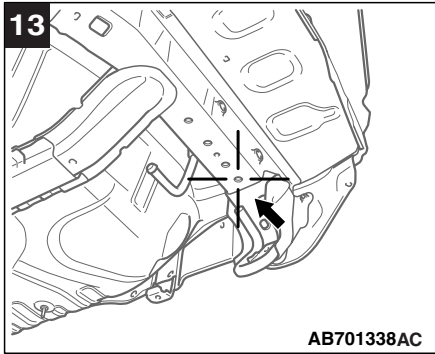
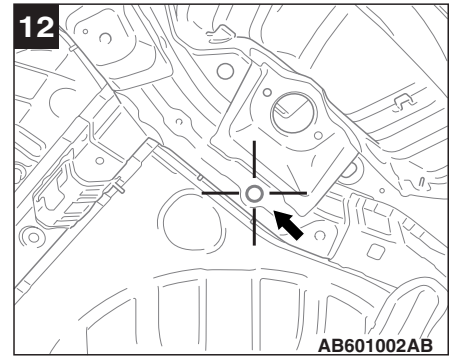
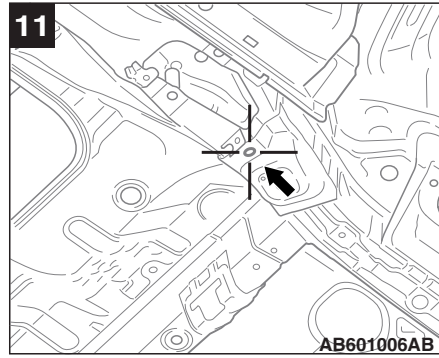
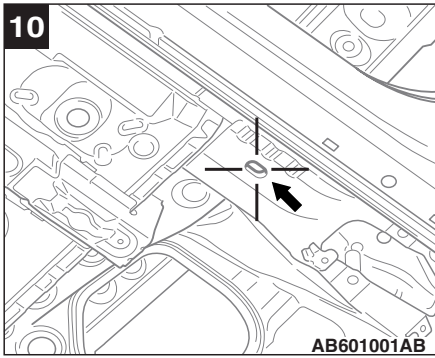
mm (in)



NOTE: The assumed standard line is established 100 mm (3.9 in) below the measurement point No.5.

AB701336AB

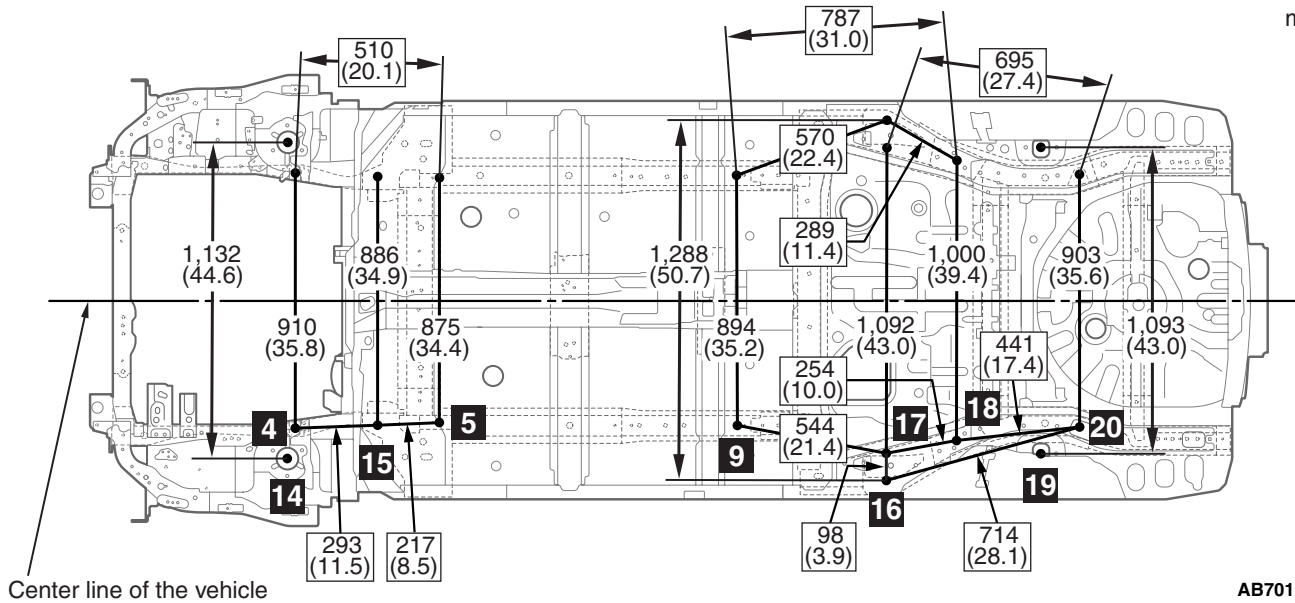




SUSPENSION INSTALLATION DIMENSIONS

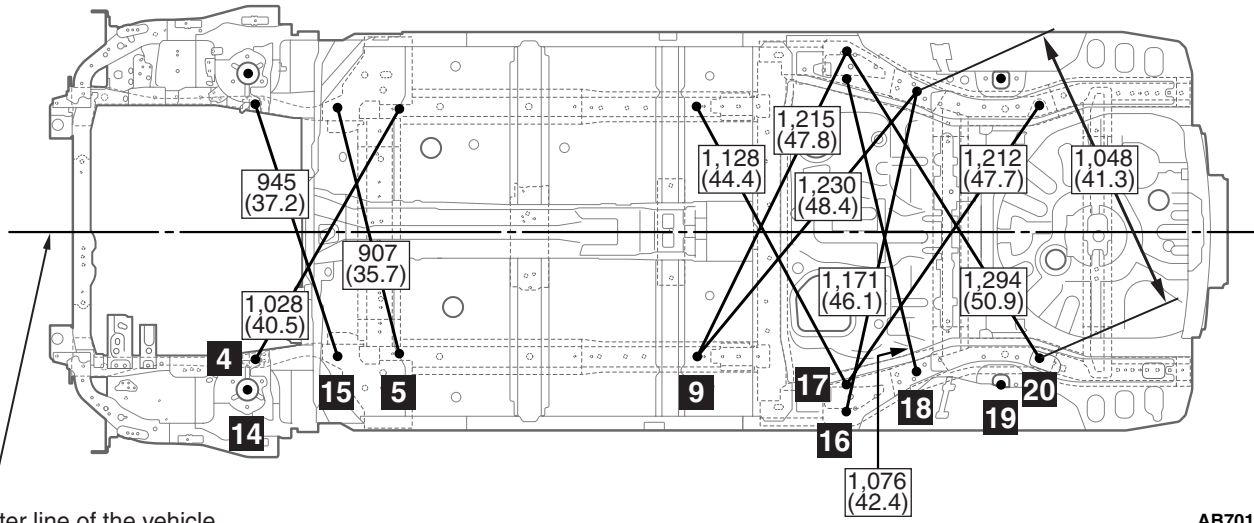
M4020013001954

mm (in)

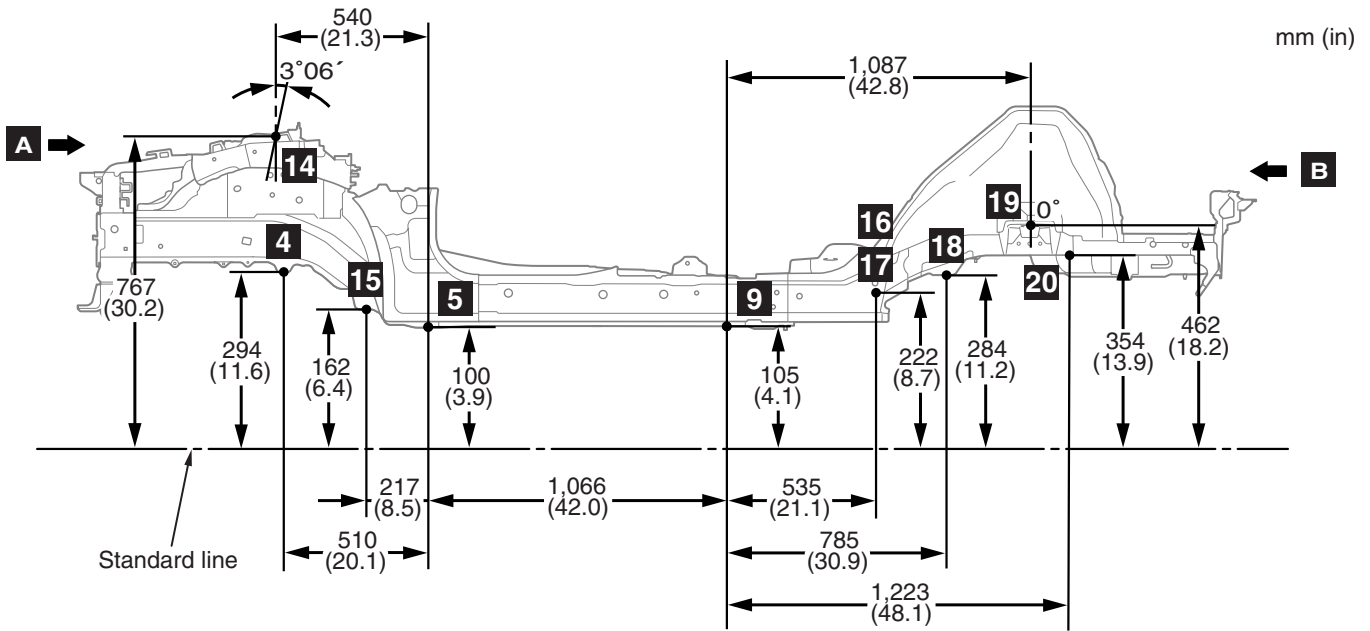
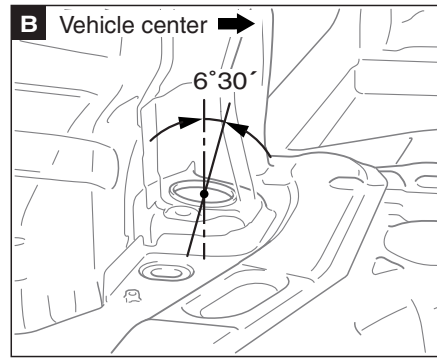
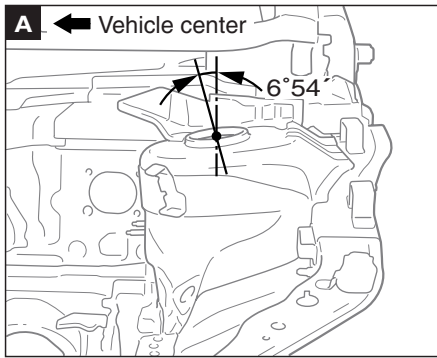


AB701332AB

**BODY DIMENSIONS
TYPE A (PROJECTED DIMENSIONS)**

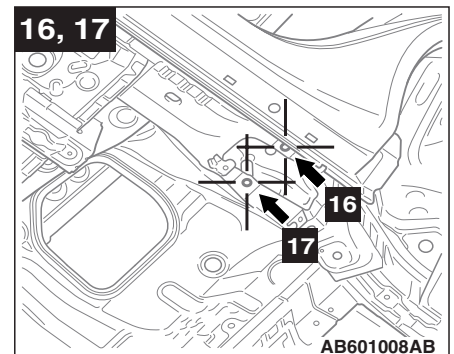
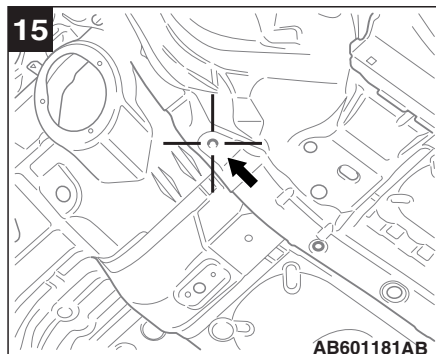
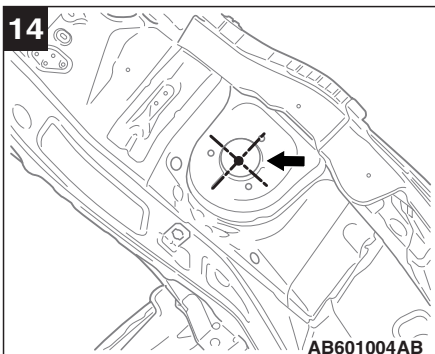
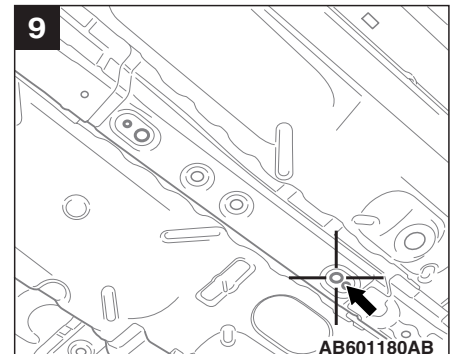
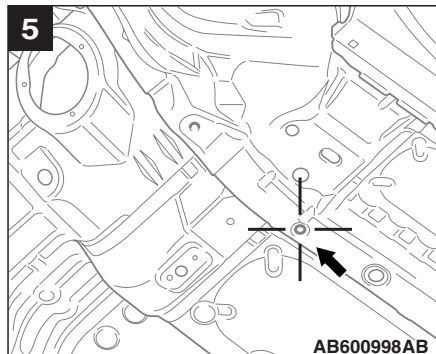
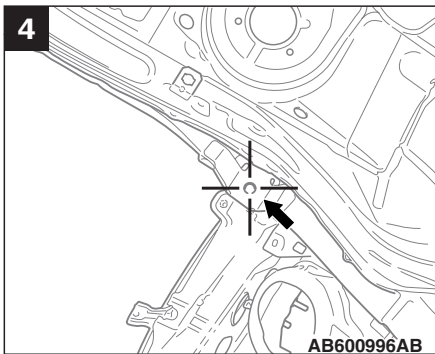


No.	Standard measurement point	Hole shape	Size mm (in)
4	Center of front axle crossmember mounting hole (front)	Round	15.5 (0.61)
5	Center of front sidemember rear water draining hole	Round	16.0 (0.63)
9	Center of front floor sidemember positioning hole (rear)	Round	16.0 (0.63)
14	Center of front shock absorber mounting hole	Round	80.0 (3.15)
15	Center of front axle crossmember mounting hole (rear)	Round	15.5 (0.61)
16	Center of trailing arm mounting hole (outer side)	Round	14.0 (0.55)
17	Center of trailing arm mounting hole (inner side)	Round	14.0 (0.55)
18	Center of rear suspension crossmember mounting hole (front)	Round	15.0 (0.59)
19	Center of rear shock absorber mounting hole	Round	64.0 (2.52)
20	Center of rear suspension crossmember mounting hole (rear)	Round	15.0 (0.59)

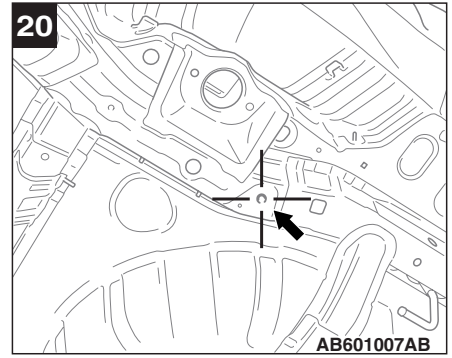
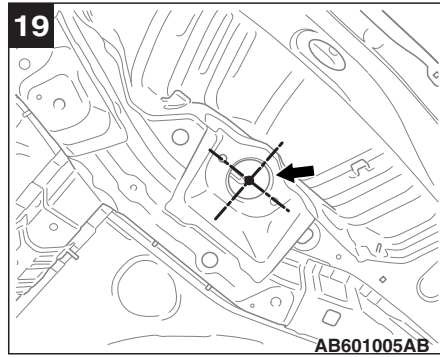
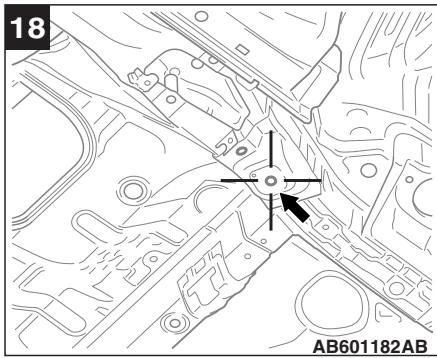


NOTE: The assumed standard line is established 100 mm (3.9 in) below the measurement point No.5.

AB701337AB



BODY DIMENSIONS
TYPE B (ACTUAL-MEASUREMENT DIMENSIONS)

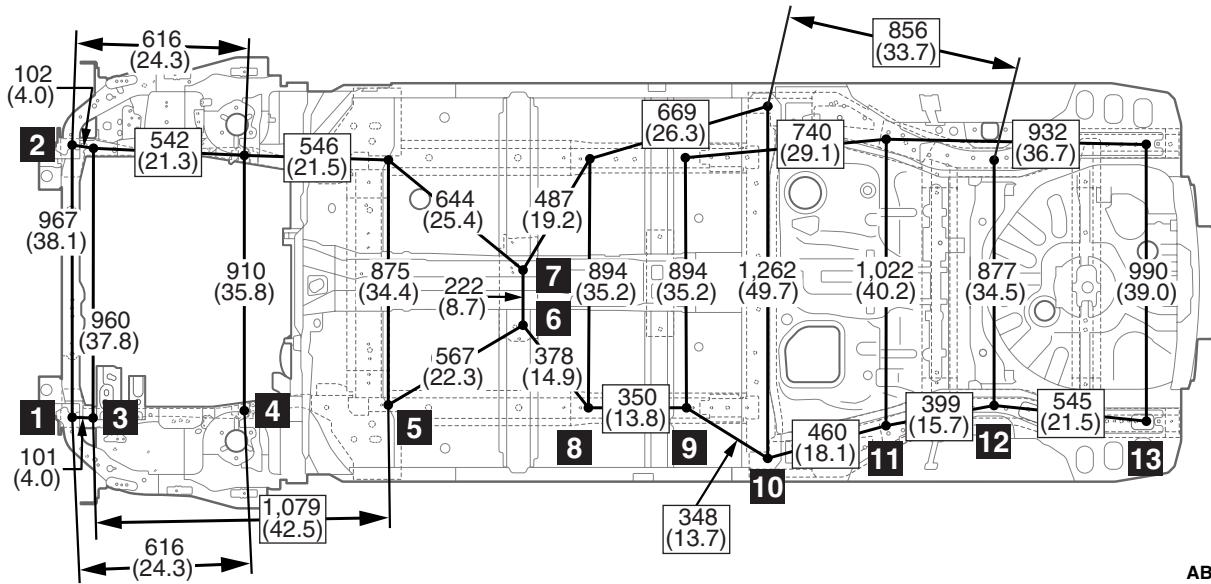


TYPE B (ACTUAL-MEASUREMENT DIMENSIONS)

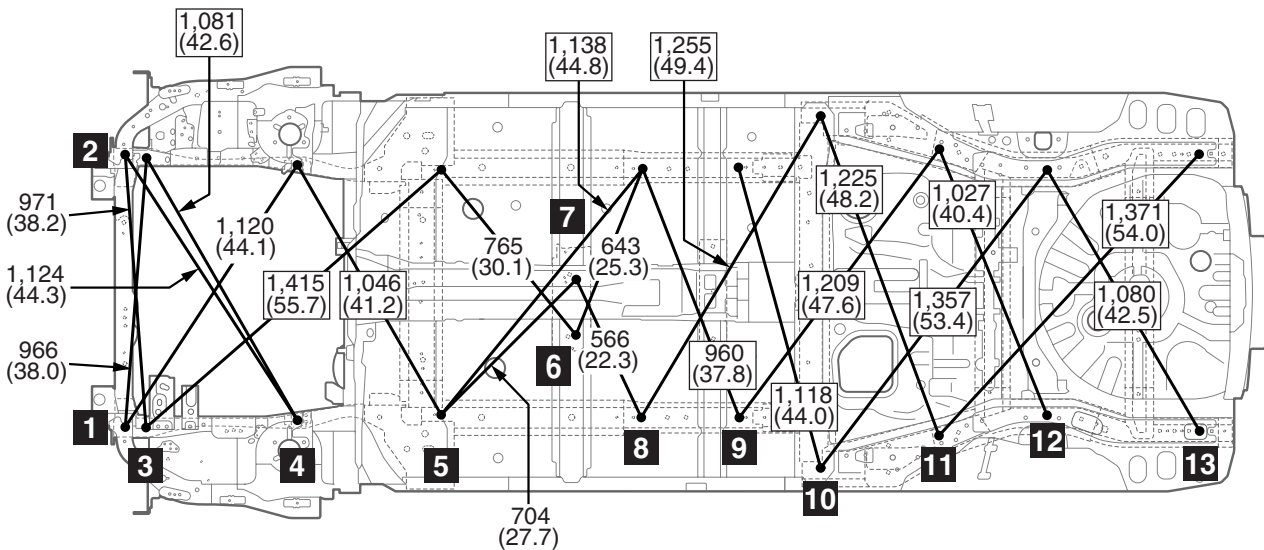
UNDER BODY

M4020005002264

mm (in)



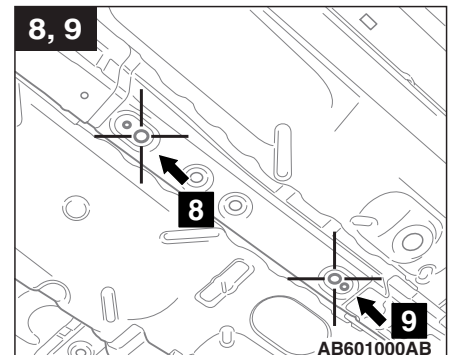
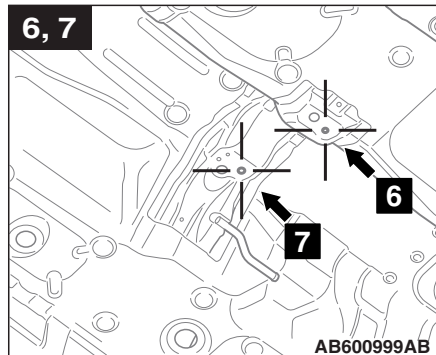
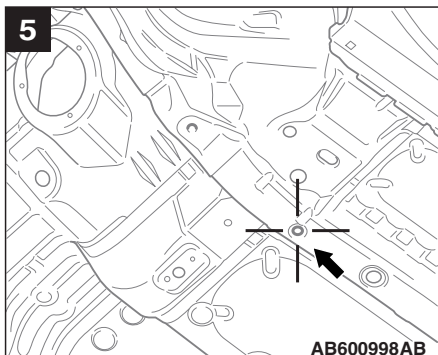
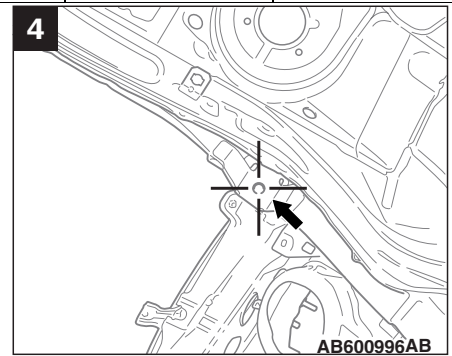
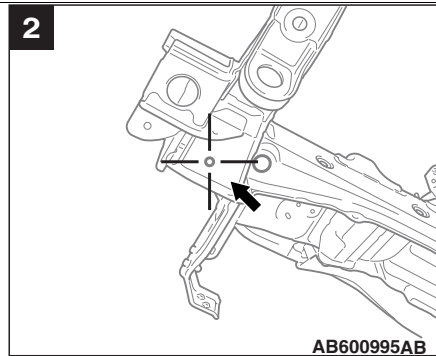
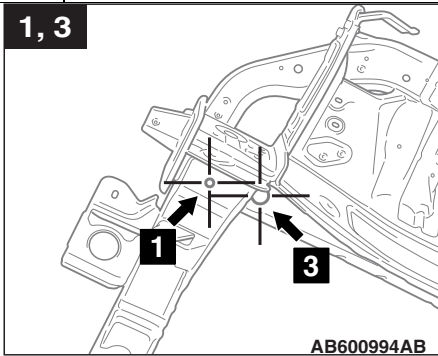
AB701317AB

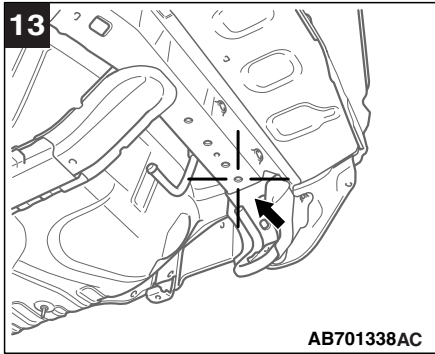
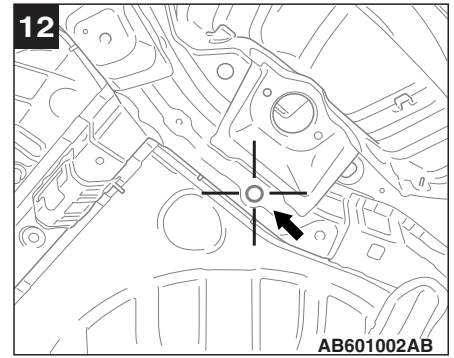
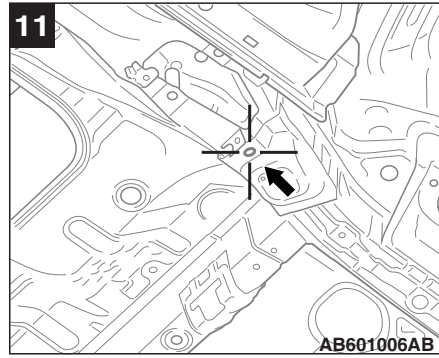
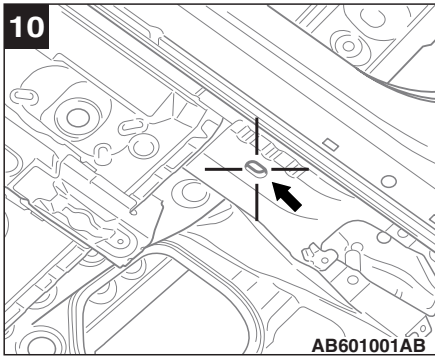


AB701319AB

**BODY DIMENSIONS
TYPE B (ACTUAL-MEASUREMENT DIMENSIONS)**

No.	Standard measurement point	Hole shape	Size mm (in)
1	Center of front end crossmember lower water draining hole (left side)	Round	8.0 (0.31)
2	Center of front end crossmember lower water draining hole (right side)	Round	8.0 (0.31)
3	Center of front sidemember inner positioning hole	Round	25.0 (0.98)
4	Center of front axle crossmember mounting hole (front)	Round	15.5 (0.61)
5	Center of front sidemember rear water draining hole	Round	16.0 (0.63)
6	Center of front floor backbone brace mounting hole (left side) <Except RALLIART>, Center of propeller shaft mounting hole (left side) <RALLIART>	Round	11.0 (0.43)
7	Center of front floor backbone brace mounting hole (right side) <Except RALLIART>, Center of propeller shaft mounting hole (right side) <RALLIART>	Round	11.0 (0.43)
8	Center of front floor sidemember positioning hole (front)	Round	16.0 (0.63)
9	Center of front floor sidemember positioning hole (rear)	Round	16.0 (0.63)
10	Center of rear floor sidemember lower positioning hole (front)	Oblong	33.9×18.0 (1.33×0.71)
11	Center of rear suspension bracket front water draining hole	Round	16.0 (0.63)
12	Center of rear floor sidemember lower positioning hole (rear)	Round	25.0 (0.98)
13	Center of rear floor sidemember extension water draining hole	Round	14.0 (0.55)

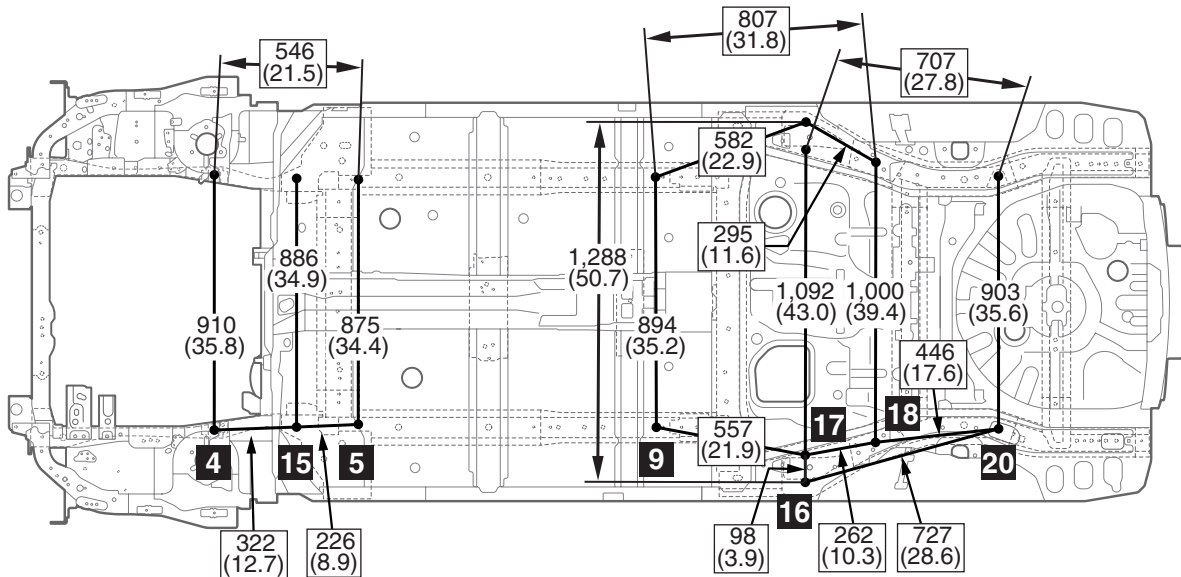




SUSPENSION INSTALLATION DIMENSIONS

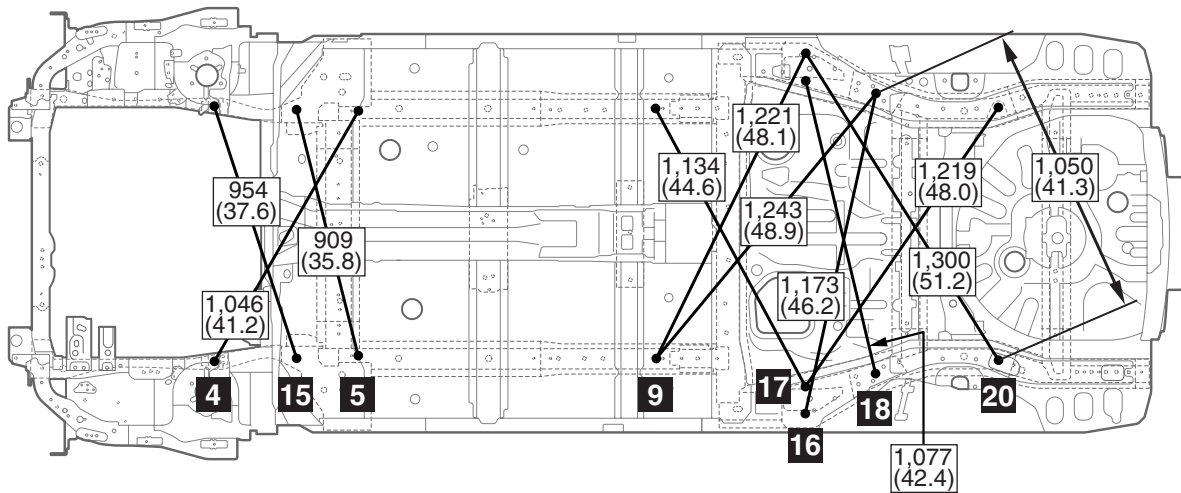
M4020013001965

mm (in)



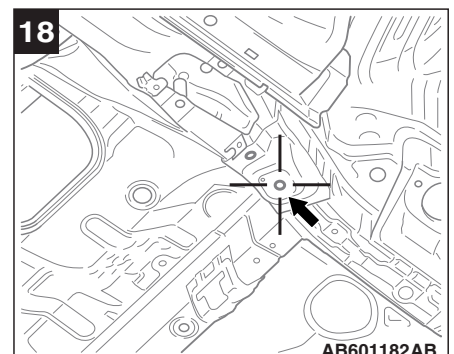
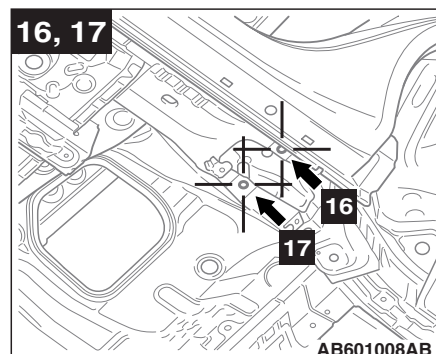
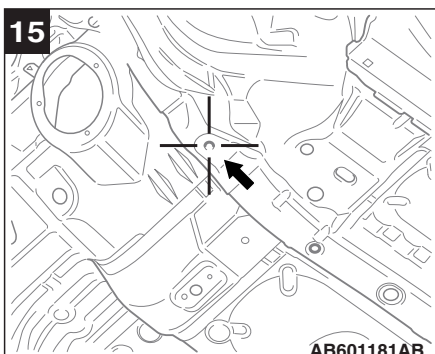
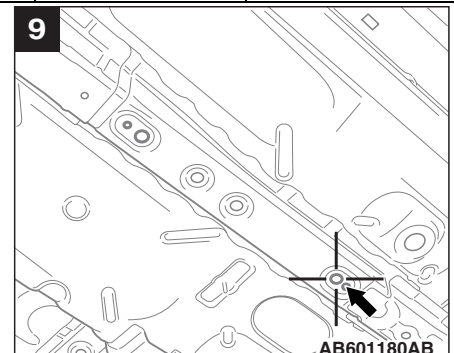
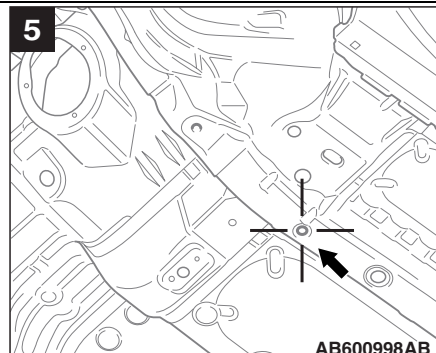
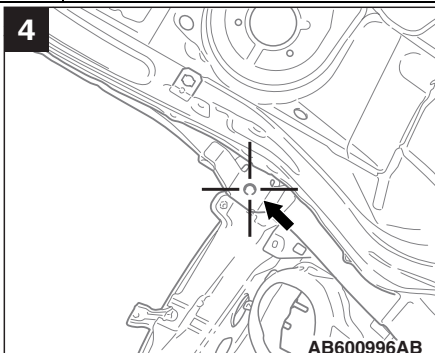
AB701333AB

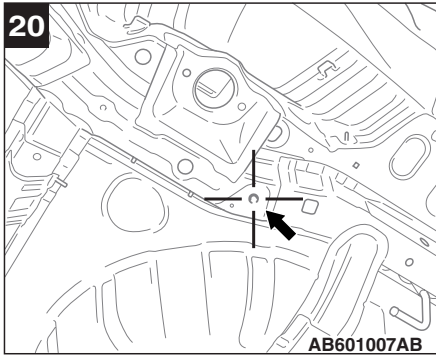
**BODY DIMENSIONS
TYPE B (ACTUAL-MEASUREMENT DIMENSIONS)**



AB701335AB

No.	Standard measurement point	Hole shape	Size mm (in)
4	Center of front axle crossmember mounting hole (front)	Round	15.5 (0.61)
5	Center of front sidemember rear water draining hole	Round	16.0 (0.63)
9	Center of front floor sidemember positioning hole (rear)	Round	16.0 (0.63)
15	Center of front axle crossmember mounting hole (rear)	Round	15.5 (0.61)
16	Center of trailing arm mounting hole (outer side)	Round	14.0 (0.55)
17	Center of trailing arm mounting hole (inner side)	Round	14.0 (0.55)
18	Center of rear suspension crossmember mounting hole (front)	Round	15.0 (0.59)
20	Center of rear suspension crossmember mounting hole (rear)	Round	15.0 (0.59)



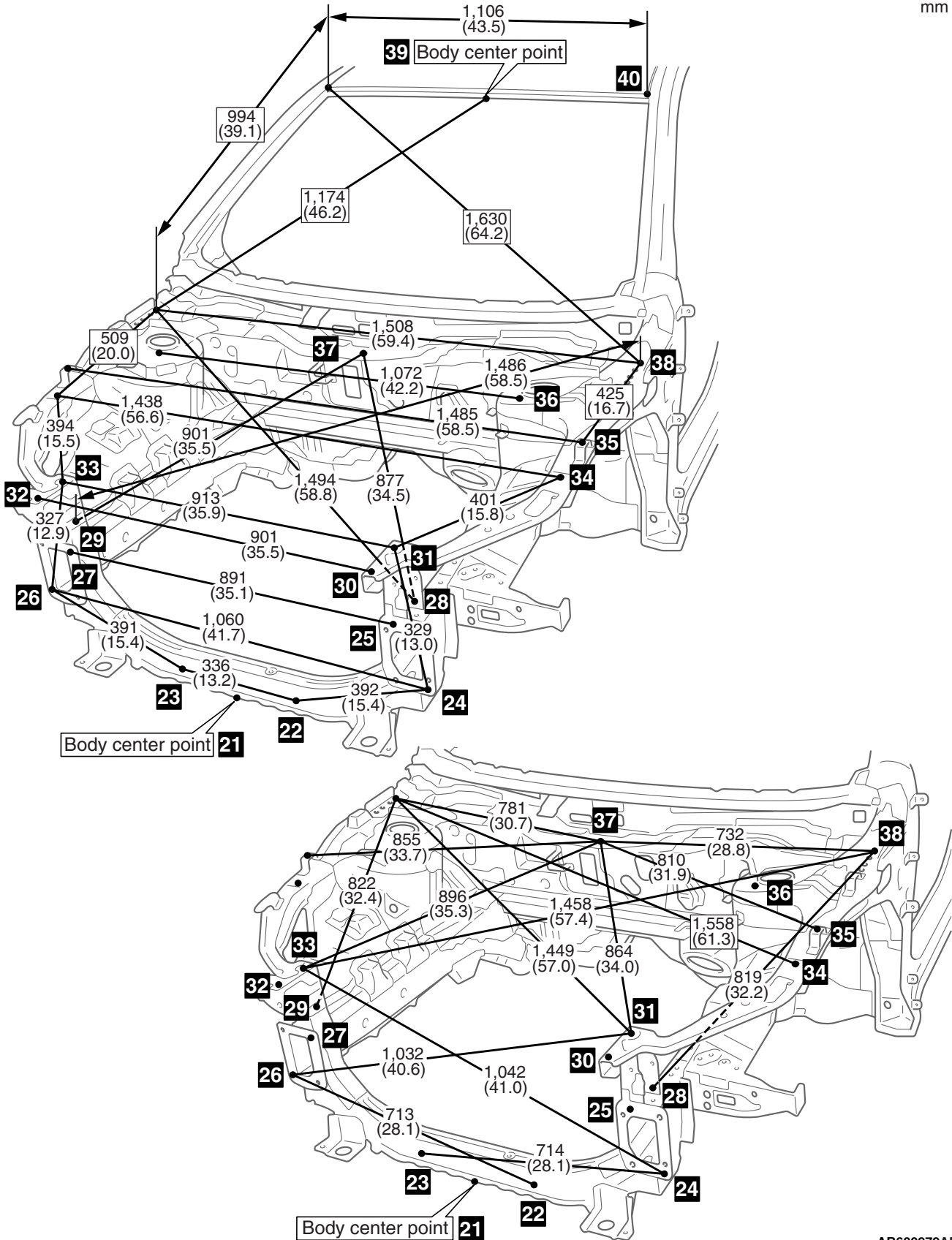


BODY DIMENSIONS
TYPE B (ACTUAL-MEASUREMENT DIMENSIONS)

FRONT BODY

M4020006001349

mm (in)

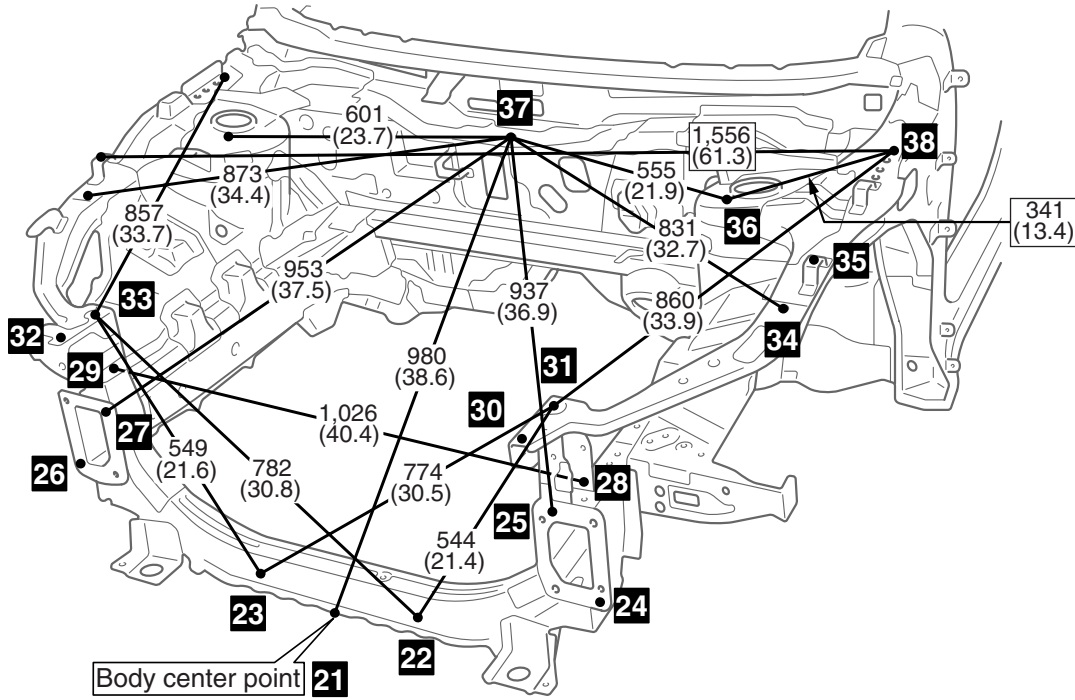


AB600979AD

TSB Revision

**BODY DIMENSIONS
TYPE B (ACTUAL-MEASUREMENT DIMENSIONS)**

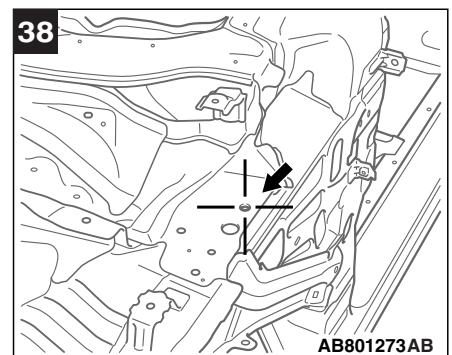
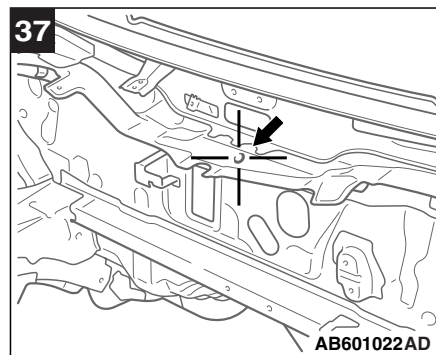
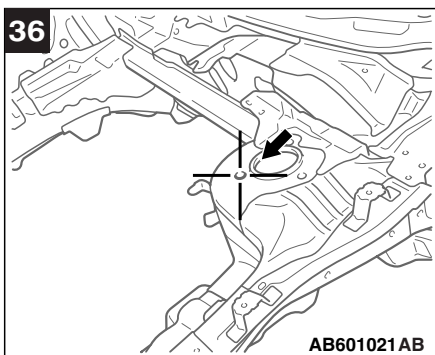
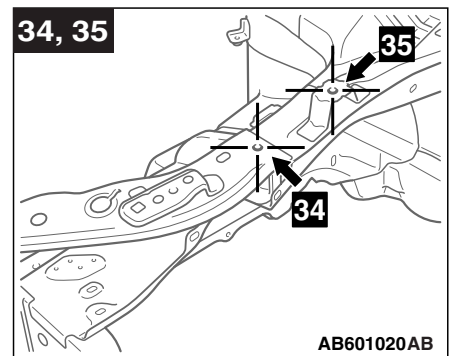
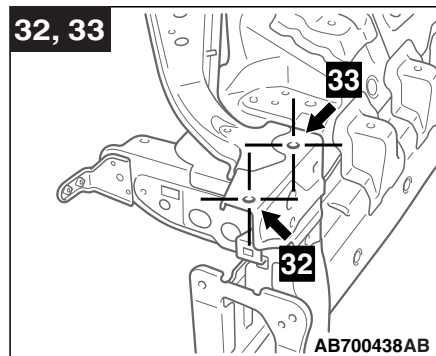
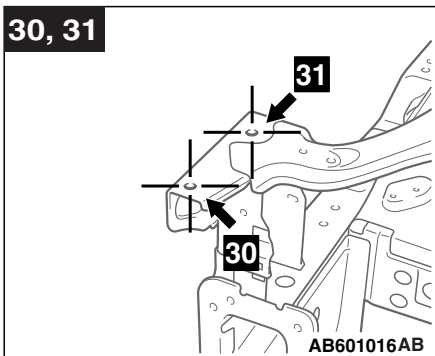
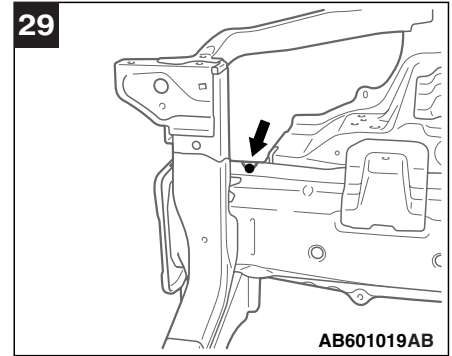
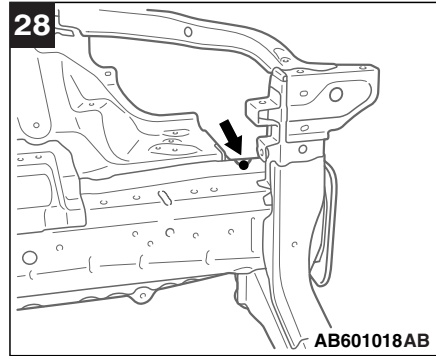
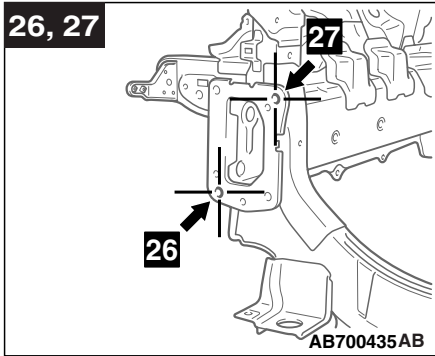
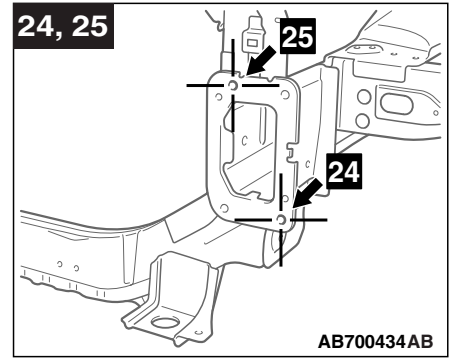
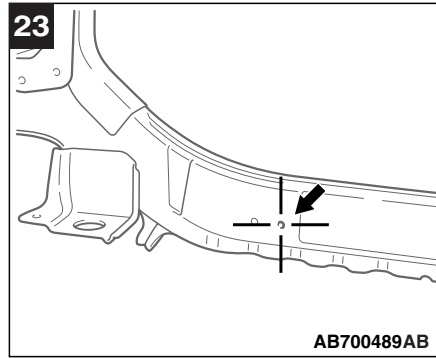
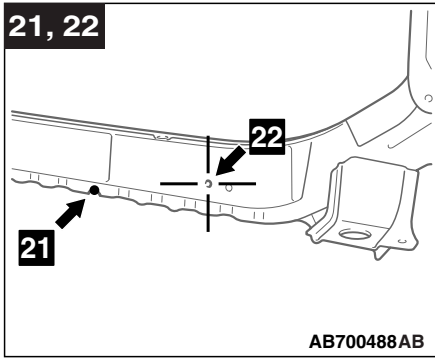
mm (in)

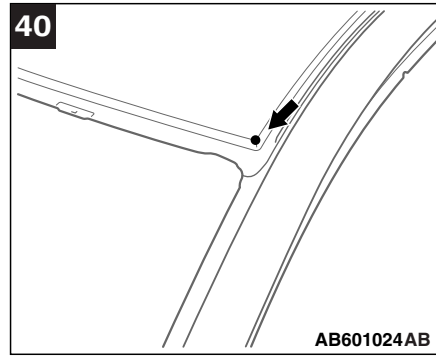
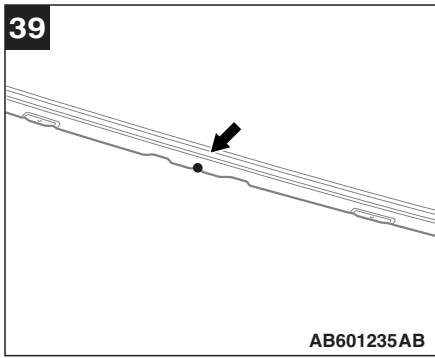


AB601191AD

No.	Standard measurement point	Hole shape	Size mm (in)
21	Center of front end crossmember positioning notch (Body center point)	–	–
22	Center of charge air cooler bracket mounting hole (left side)	Round	12.0 (0.47)
23	Center of charge air cooler bracket mounting hole (right side)	Round	12.0 (0.47)
24	Center of front bumper reinforcement mounting hole (left-lower)	Round	9.0 (0.35)
25	Center of front bumper reinforcement mounting hole (left-upper)	Round	9.0 (0.35)
26	Center of front bumper reinforcement mounting hole (right-lower)	Round	9.0 (0.35)
27	Center of front bumper reinforcement mounting hole (right-upper)	Round	9.0 (0.35)
28	Center of front sidemember inner positioning notch (left side)	–	–
29	Center of front sidemember inner positioning notch (right side)	–	–
30	Center of headlight support panel upper mounting hole (left-front)	Round	6.6 (0.26)
31	Center of headlight support panel upper mounting hole (left-rear)	Round	6.6 (0.26)
32	Center of headlight support panel upper mounting hole (right-front)	Round	6.6 (0.26)
33	Center of headlight support panel upper mounting hole (right-rear)	Round	6.6 (0.26)
34	Center of front end upper bar side positioning hole	Round	6.0 (0.24)
35	Center of front fender mounting hole	Round	6.6 (0.26)
36	Center of front strut mounting hole	Round	11.5 (0.45)
37	Center of cowl top panel mounting hole	Round	6.6 (0.26)
38	Center of hood hinge mounting hole	Round	9.0 (0.35)
39	Center of roof panel positioning notch (Body center point)	–	–
40	Corner of roof panel	–	–

**BODY DIMENSIONS
TYPE B (ACTUAL-MEASUREMENT DIMENSIONS)**

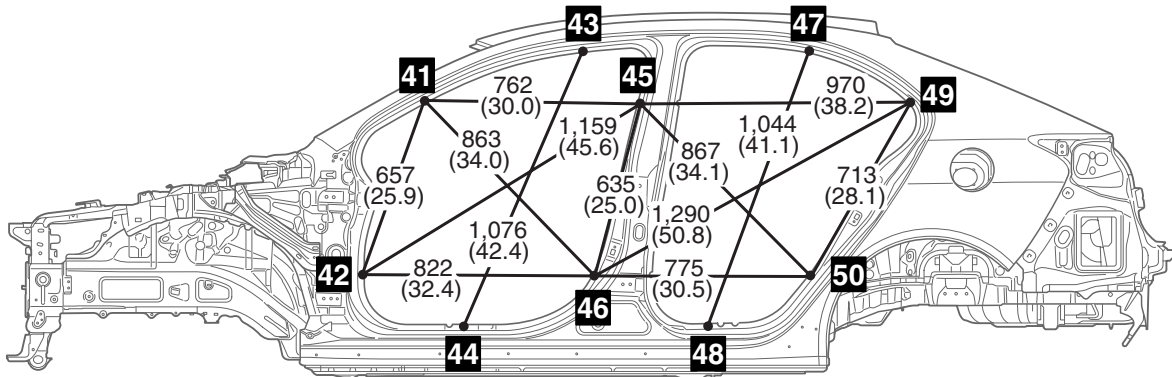




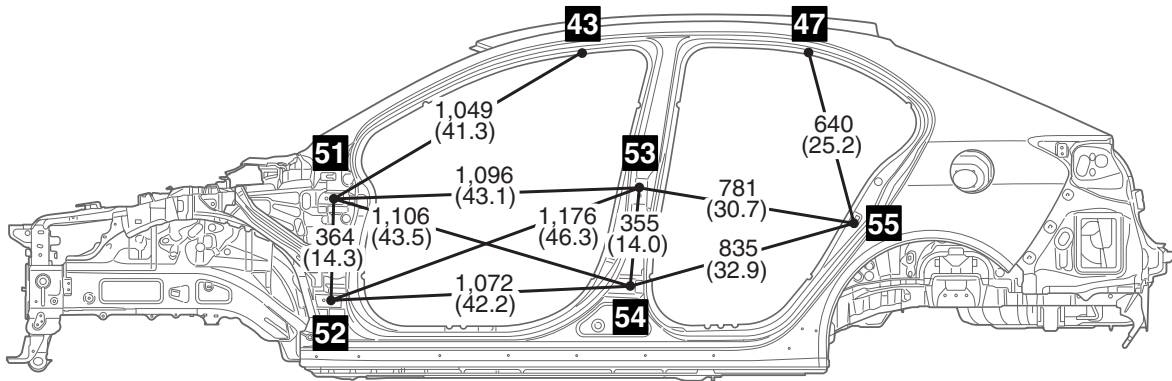
SIDE BODY

M4020007001159

mm (in)



AB701237AB

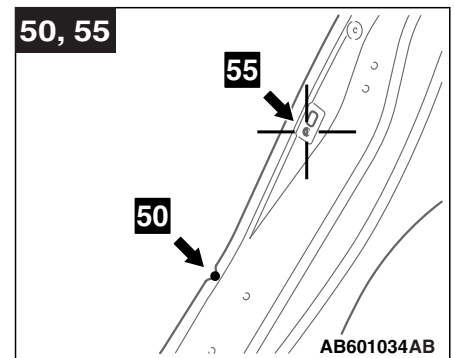
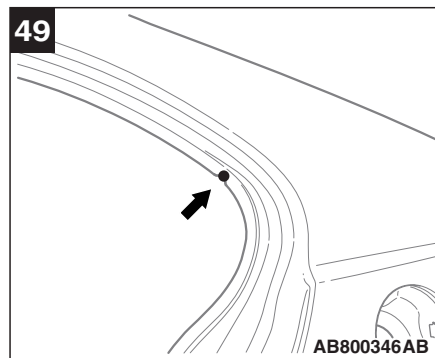
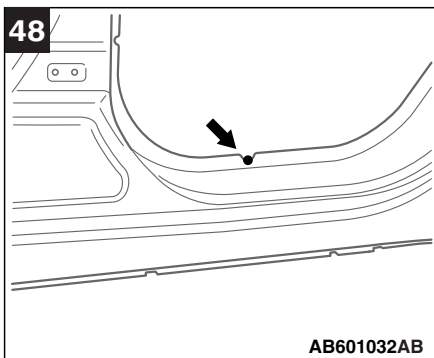
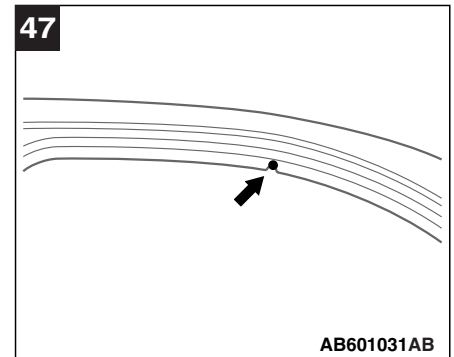
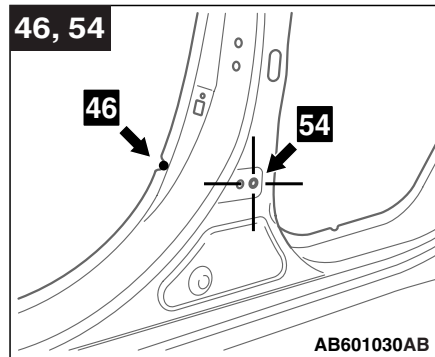
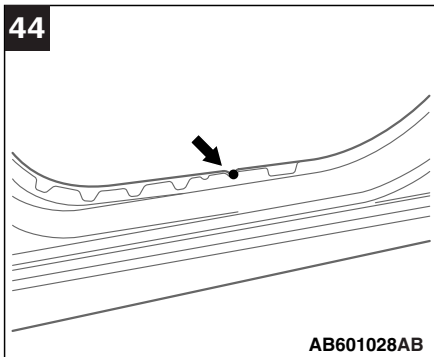
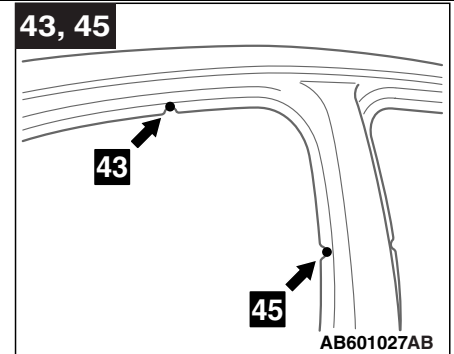
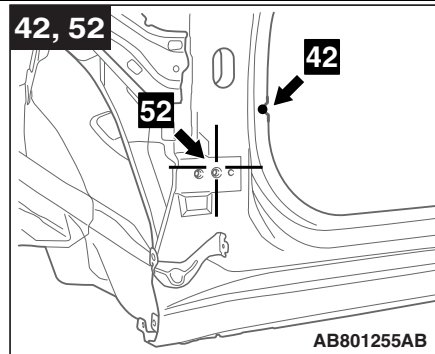
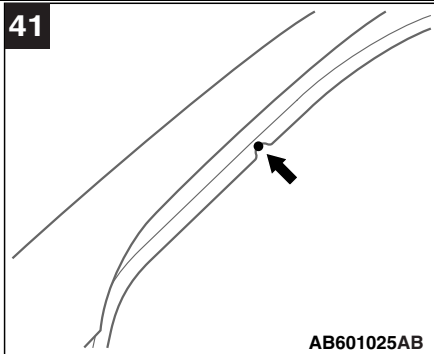


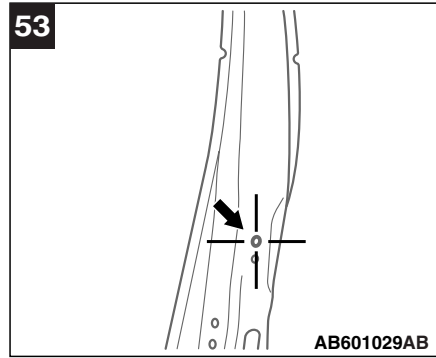
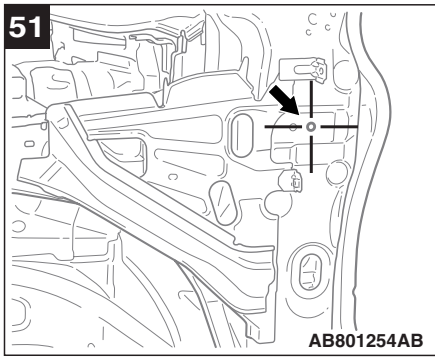
AB701238AB

No.	Standard measurement point	Hole shape	Size mm (in)
41	Front pillar positioning notch (upper)	—	—
42	Front pillar positioning notch (lower)	—	—
43	Roof side rail positioning notch (front)	—	—
44	Side sill positioning notch (front)	—	—
45	Center pillar positioning notch (upper)	—	—
46	Center pillar positioning notch (lower)	—	—
47	Roof side rail positioning notch (rear)	—	—
48	Side sill positioning notch (rear)	—	—

**BODY DIMENSIONS
TYPE B (ACTUAL-MEASUREMENT DIMENSIONS)**

No.	Standard measurement point	Hole shape	Size mm (in)
49	Quarter panel positioning notch (upper)	–	–
50	Quarter panel positioning notch (lower)	–	–
51	Center of front door upper hinge mounting hole	Round	11.0 (0.43)
52	Center of front door lower hinge mounting hole	Round	11.0 (0.43)
53	Center of rear door upper hinge mounting hole	Round	11.5 (0.45)
54	Center of rear door lower hinge mounting hole	Round	11.0 (0.43)
55	Center of rear door switch mounting hole	Round	5.0 (0.20)

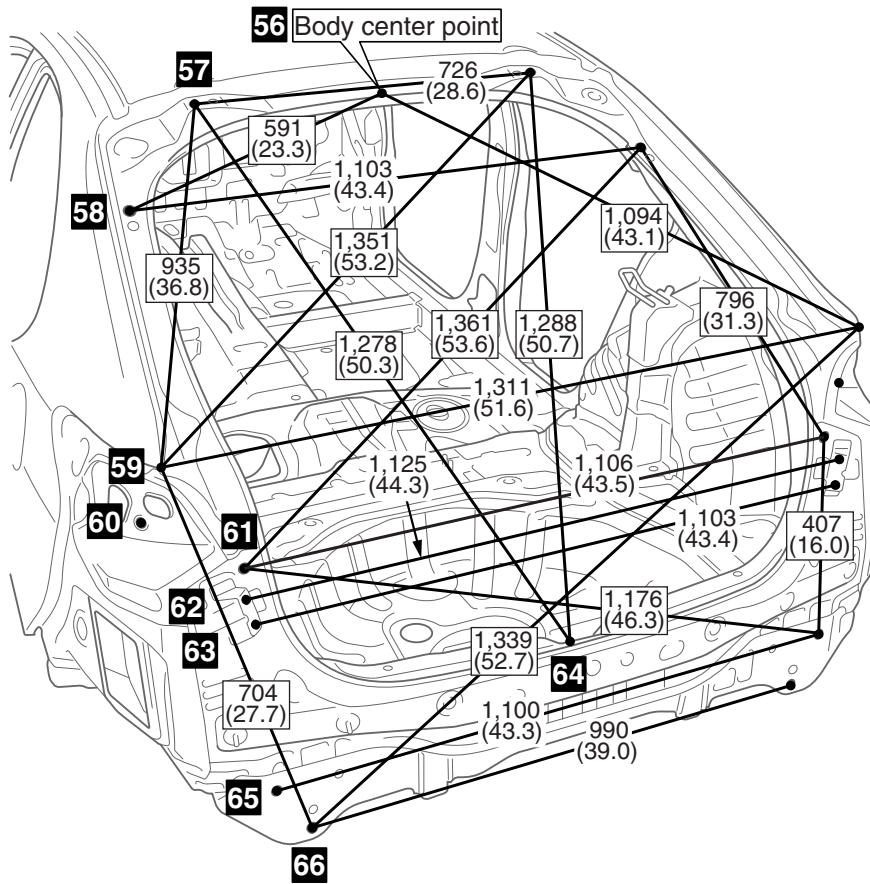




REAR BODY

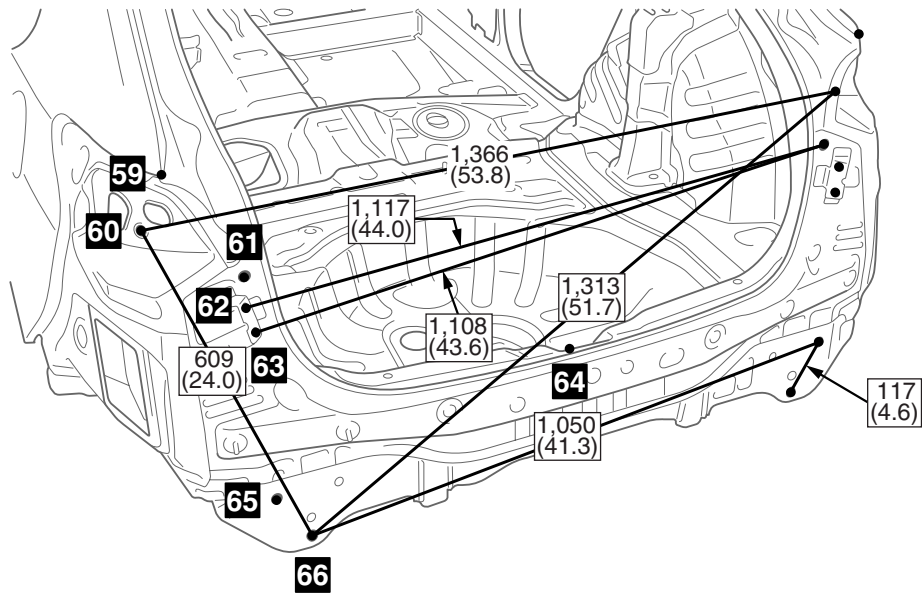
M4020008001174

mm (in)



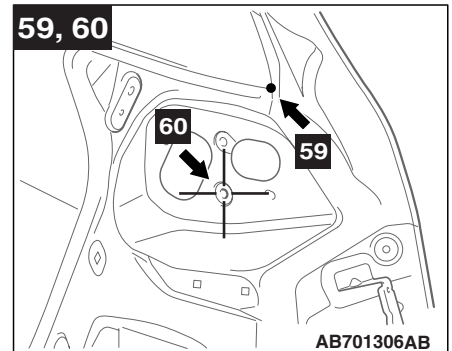
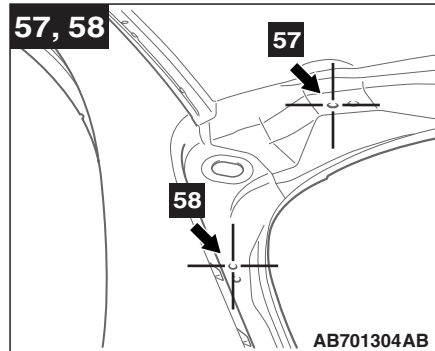
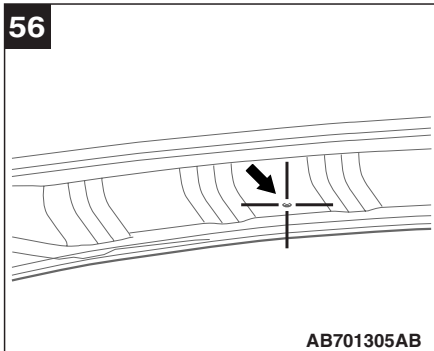
AB800151AB

**BODY DIMENSIONS
TYPE B (ACTUAL-MEASUREMENT DIMENSIONS)**

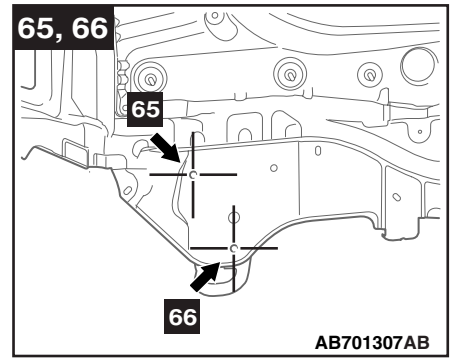
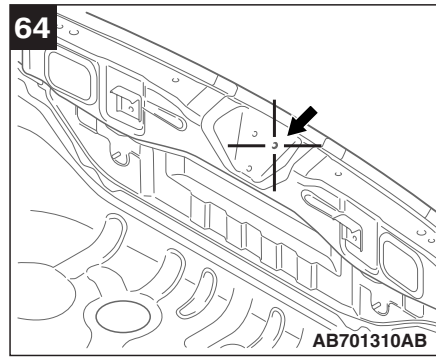
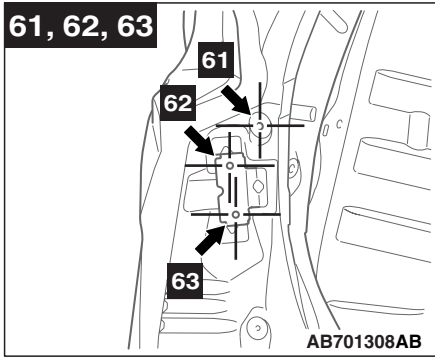


AB800375AB

No.	Standard measurement point	Hole shape	Size mm (in)
56	Body center point of roof panel	—	—
57	Center of liftgate hinge mounting hole	Round	13.0 (0.51)
58	Center of liftgate gas spring mounting hole	Round	9.3 (0.37)
59	Corner of side outer panel	—	—
60	Center of rear combination light mounting hole	Round	9.0 (0.35)
61	Center of rear bumper mounting hole	Round	6.6 (0.26)
62	Center of liftgate dumper mounting hole (upper)	Round	6.6 (0.26)
63	Center of liftgate dumper mounting hole (lower)	Round	6.6 (0.26)
64	Center of liftgate striker mounting hole	Round	14.0 (0.55)
65	Center of rear bumper reinforcement mounting hole (upper)	Round (left side), Oblong (right side)	15.0 (0.59)(left side), 15.0 (0.59)× 17.0 (0.67)(right side)
66	Center of rear bumper reinforcement mounting hole	Round	15.0 (0.59)



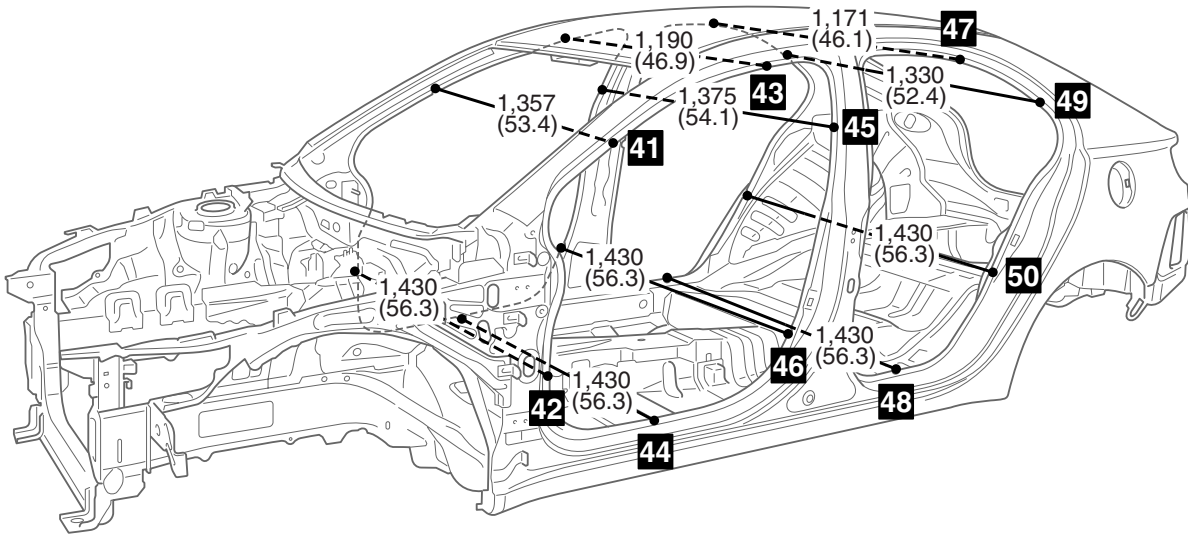
BODY DIMENSIONS
TYPE B (ACTUAL-MEASUREMENT DIMENSIONS)



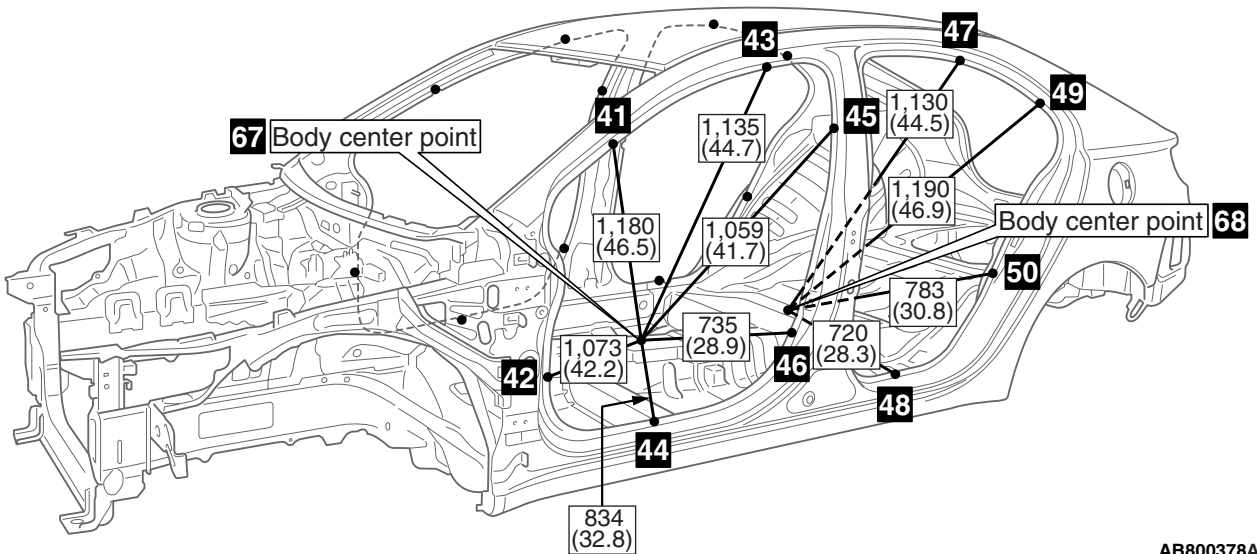
INTERIOR

M4020009001423

mm (in)

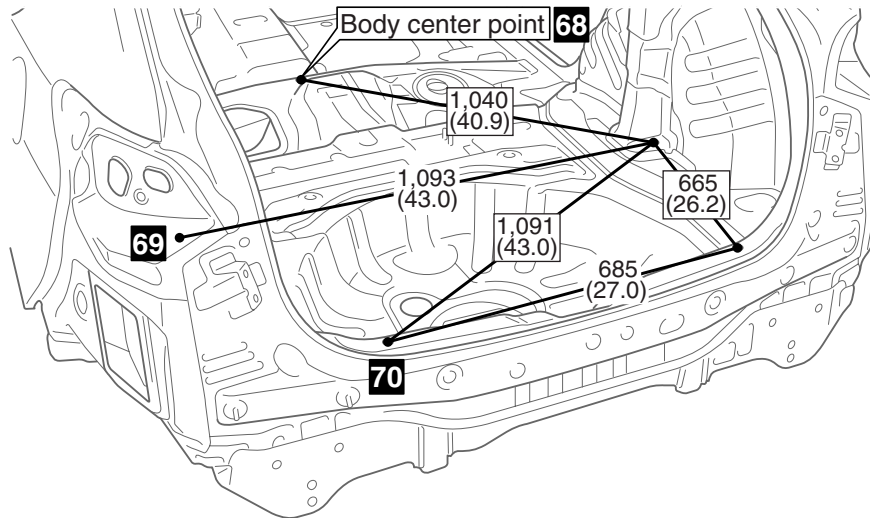


AB800152AB



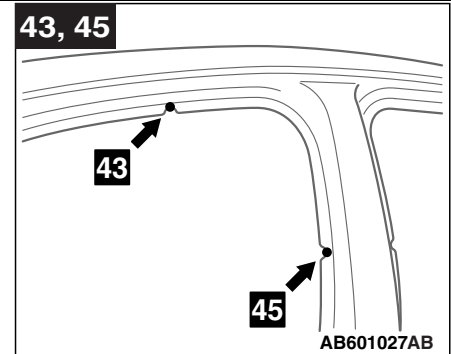
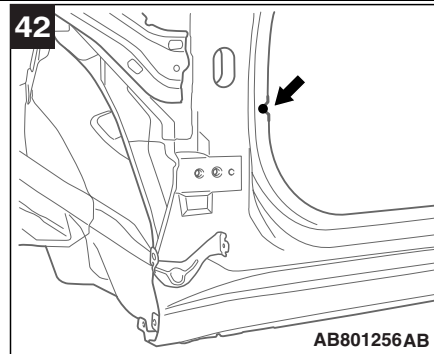
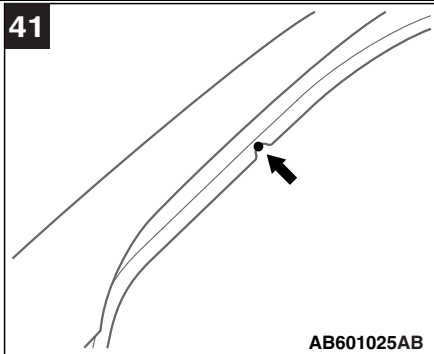
AB800378AB

**BODY DIMENSIONS
TYPE B (ACTUAL-MEASUREMENT DIMENSIONS)**

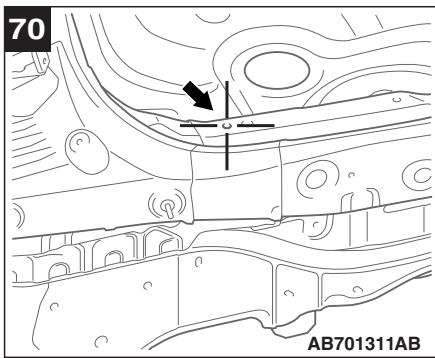
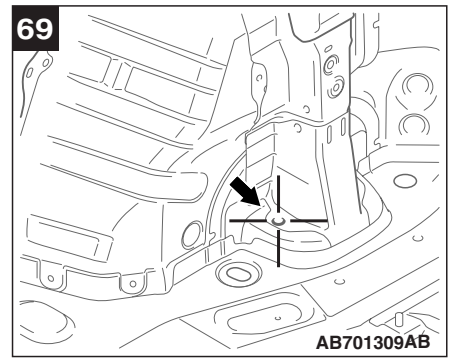
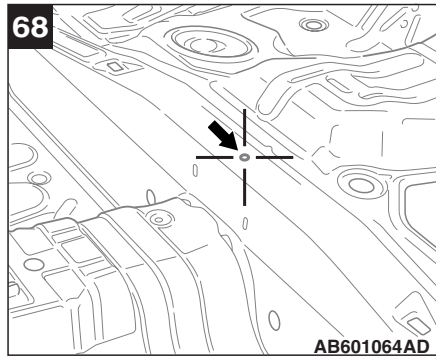
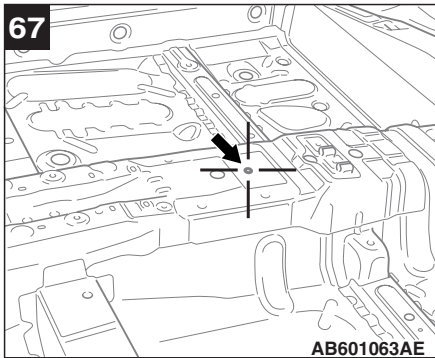
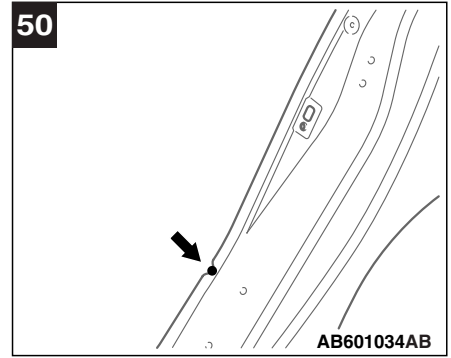
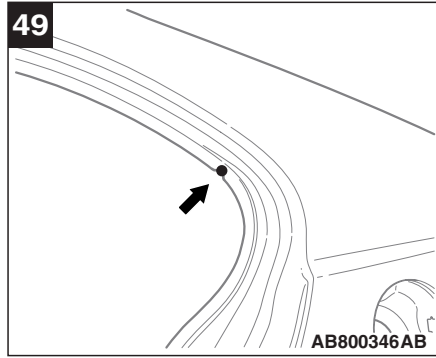
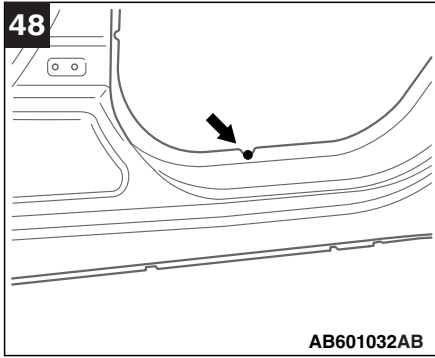
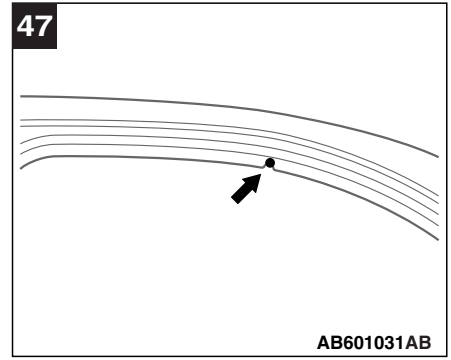
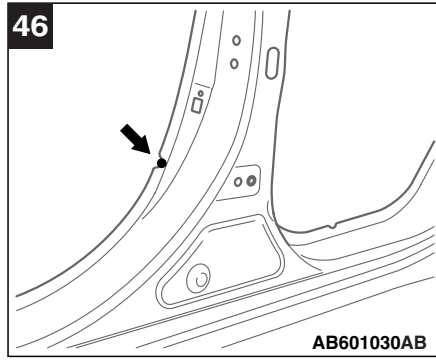
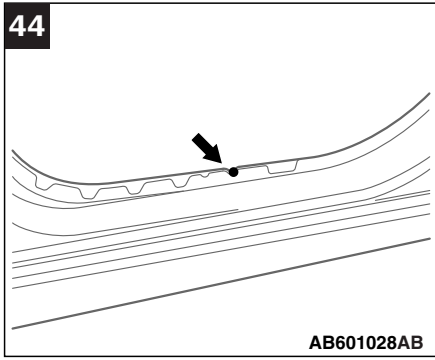


AB800376AB

No.	Standard measurement point	Hole shape	Size mm (in)
41	Front pillar positioning notch (upper)	—	—
42	Front pillar positioning notch (lower)	—	—
43	Roof side rail positioning notch (front)	—	—
44	Side sill positioning notch (front)	—	—
45	Center pillar positioning notch (upper)	—	—
46	Center pillar positioning notch (lower)	—	—
47	Roof side rail positioning notch (rear)	—	—
48	Side sill positioning notch (rear)	—	—
49	Quarter panel positioning notch (upper)	—	—
50	Quarter panel positioning notch (lower)	—	—
67	Center of parking brake lever mounting hole (Body center point)	Round	11.0 (0.43)
68	Body Center point of rear floor extension (Body center point)	—	—
69	Center of rear shock absorber mounting hole	Round	14.0 (0.55)
70	Center of trunk room rear end trim mounting hole	Round	8.5 (0.33)

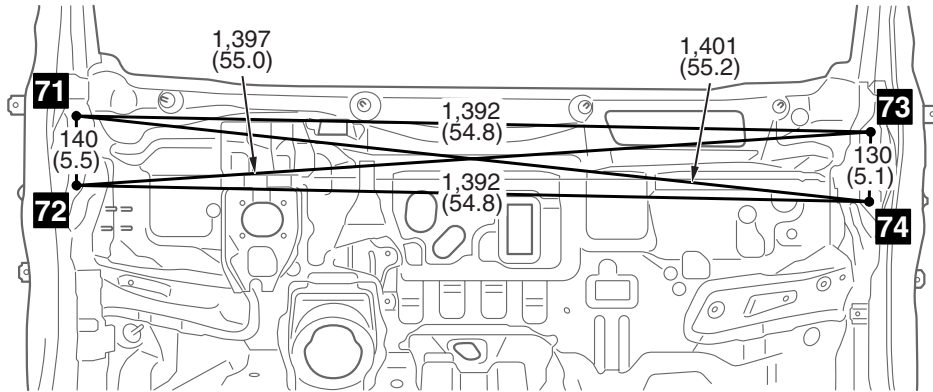


BODY DIMENSIONS
TYPE B (ACTUAL-MEASUREMENT DIMENSIONS)



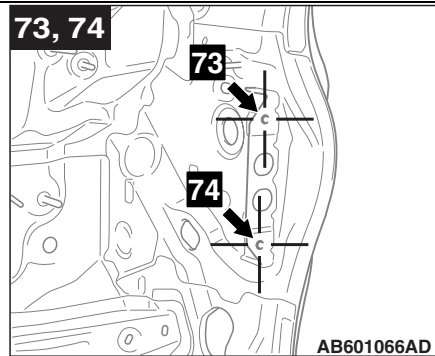
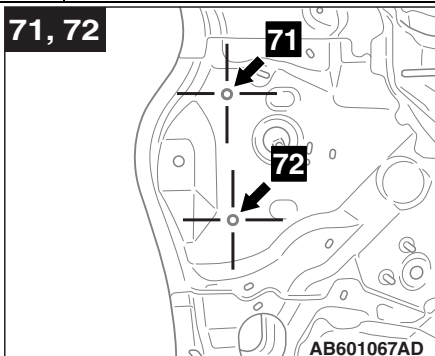
**BODY DIMENSIONS
TYPE B (ACTUAL-MEASUREMENT DIMENSIONS)**

mm (in)



AB600984AG

No.	Standard measurement point	Hole shape	Size mm (in)
71	Center of front deck crossmember mounting hole (left-upper)	Round	13.0 (0.51)
72	Center of front deck crossmember mounting hole (left-lower)	Round	13.0 (0.51)
73	Center of front deck crossmember mounting hole (right-upper)	Round	9.0 (0.35)
74	Center of front deck crossmember mounting hole (right-lower)	Round	9.0 (0.35)



NOTES