

---

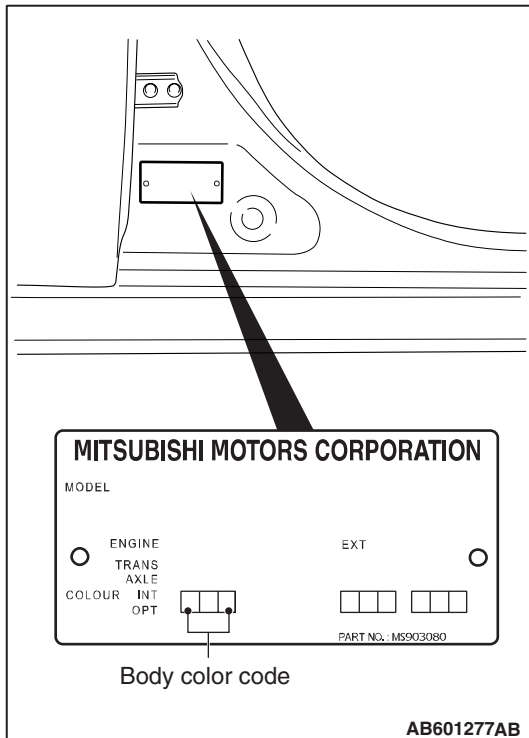
**GROUP 6****BODY COLOR****CONTENTS**

<b>BODY COLOR CODE</b> .....	<b>6-2</b>	<b>BODY COLORING</b> .....	<b>6-3</b>
<b>BODY COLOR CHARTS</b> .....	<b>6-2</b>	HOOD AIR INLET GARNISH <RALLIART>	6-3
		FRONT BAMPER <RALLIART> .....	6-3
		WHEELHOUSE .....	6-3

## BODY COLOR CODE

M4060001001263

Body color code is stamped on the vehicle information code plate, which is attached on the underside of the center pillar (Right side).



## BODY COLOR CHARTS

M4060002002883

Check the vehicle's body color code, and then use this body color chart to determine the refinishing paint supplier from which the color can be purchased.

Color	Color code	Color number	Color name	Coating film structure	Composition of film
SILVER	A31	CMA10031	Cool Silver Metallic	2M	Metallic
MEDIUM PURPLISH GRAY	A39	CMA10039	Medium Purplish Gray Mica	2P	Metallic + Interferenced Pearl
BLUE	D06	CMD10006	Lightning Blue Mica	2P	Interferenced Pearl
ORANGE	M08	CMM10008	Passion orange pearl	2M	Metallic
RED	P26	CMP10026	Red Metallic	2M	Metallic
WHITE	W37	CMW10037	White Solid	2S	Solid
BLACK	X42	AC11342	Black Mica	2P	Interferenced Pearl

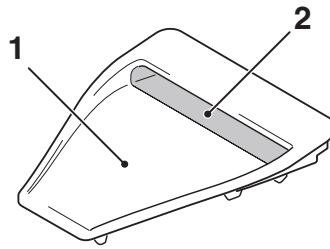
**NOTE:**

- The coating film structure indicates top coating only (2S: 2 coat solid, 2M: 2 coat metallic, 2P: 2 coat pearl).
- For painting, inner panel colors should be similar to the outer panel colors.
- The Hood air outlet garnish is coated in dark warm gray (AC10895) <RALLIART>.

# BODY COLORING

## HOOD AIR INLET GARNISH <RALLIART>

M4060001500061

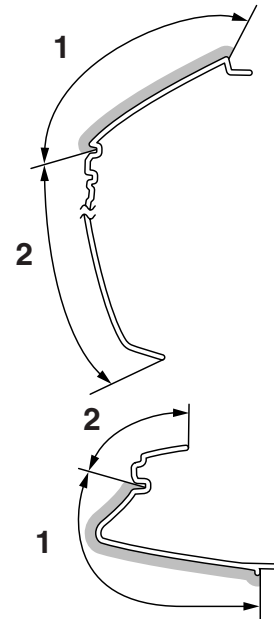
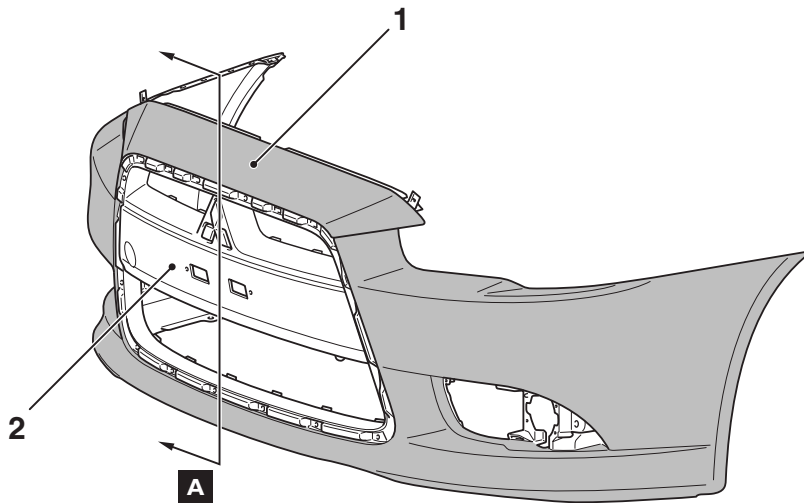


1	Body color
2	Black (AC10085)

AB800555AC

## FRONT BUMPER <RALLIART>

M4060000500314

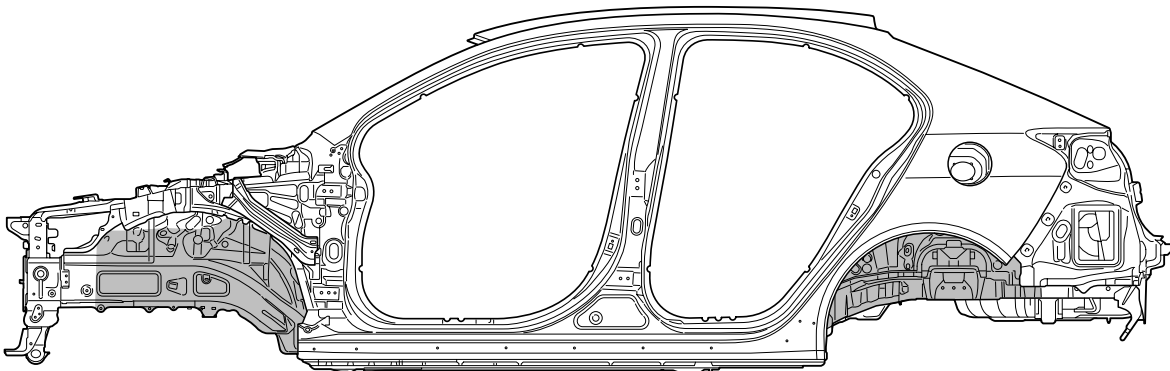


1	Body color
2	Material color

AB800091AB

## WHEELHOUSE

M4060012000651



NOTE: : Black (AC10657)

AB701267AB

---

## NOTES