

**GROUP 70**

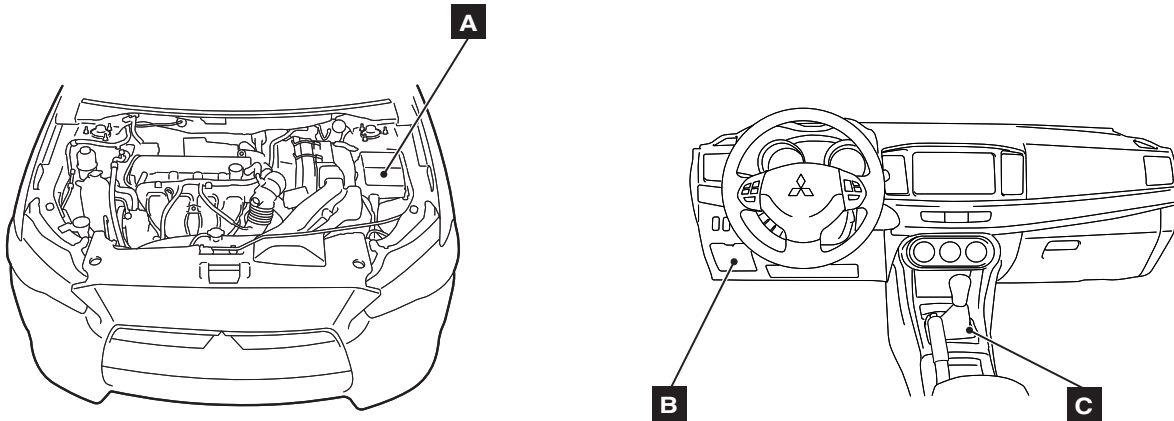
**COMPONENT  
LOCATIONS**

**CONTENTS**

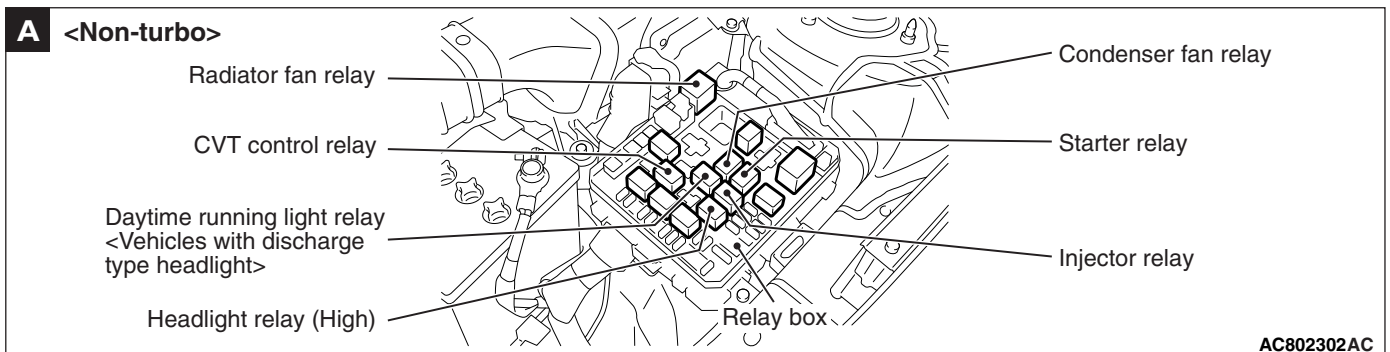
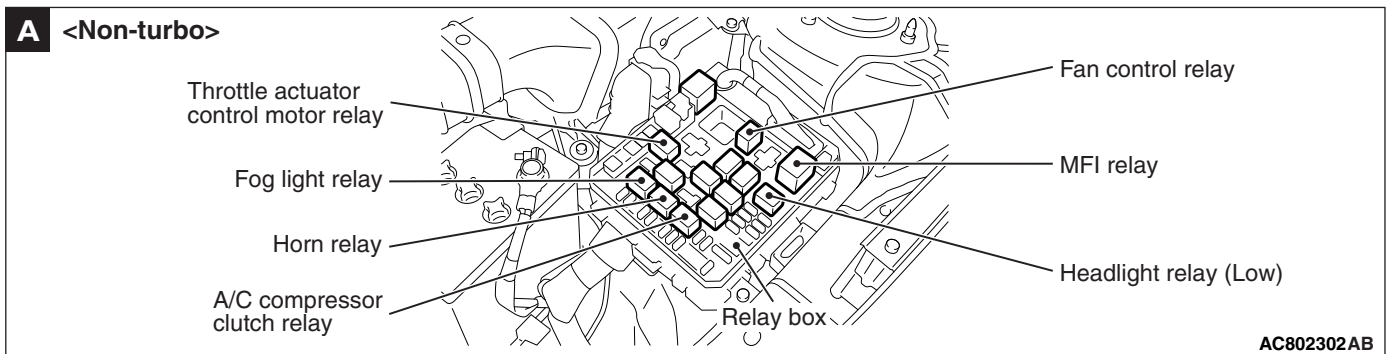
RELAY .....	70-2	INSPECTION TERMINAL.....	70-20
SENSOR.....	70-4	OTHER DEVICES.....	70-21
CONTROL UNIT.....	70-12	GROUNDING CABLE.....	70-22
SOLENOID AND SOLENOID VALVE	70-16	GROUNDING .....	70-23
FUSIBLE LINK, FUSE AND IOD OR STORAGE CONNECTOR .....	70-19		

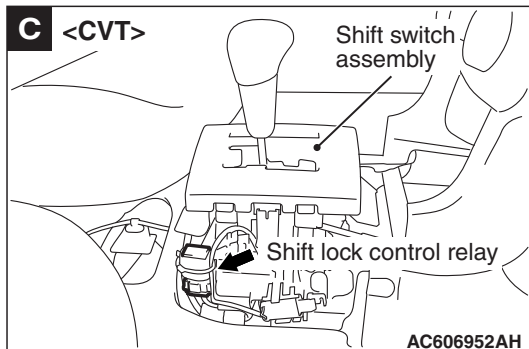
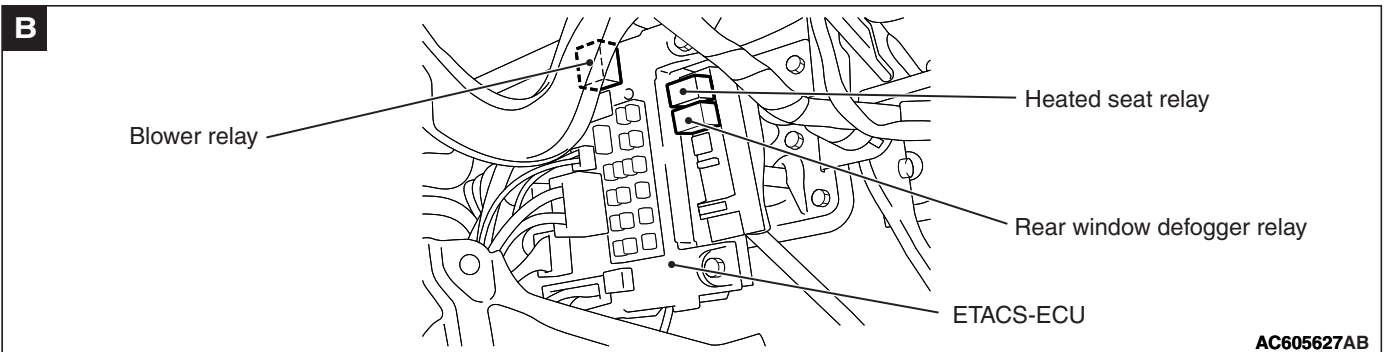
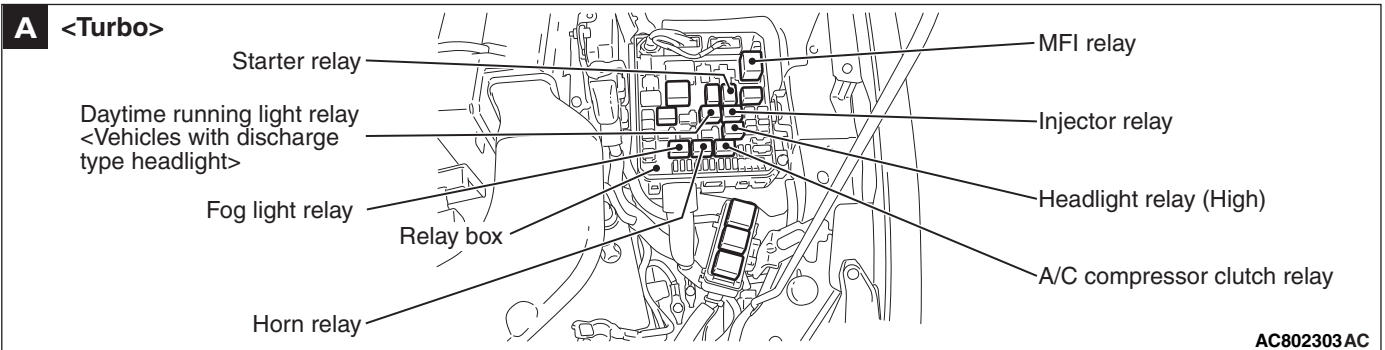
RELAY

Name	Symbol	Name	Symbol
A/C compressor clutch relay	A	Heated seat relay	B
Blower relay	B	Horn relay	A
Condenser fan relay	A	Injector relay	A
CVT control relay	A	MFI relay	A
Daytime running light relay <Vehicles with discharge type headlight>	A	No.1 fuel pump relay <Turbo>	A
Electric pump relay <Turbo>	A	Radiator fan relay	A
Fan control relay	A	Rear window defogger relay	B
Fog light relay	A	Shift lock control relay <CVT>	C
Headlight relay (High)	A	Starter relay	A
Headlight relay (Low)	A	Throttle actuator control motor relay	A



AC607487AB

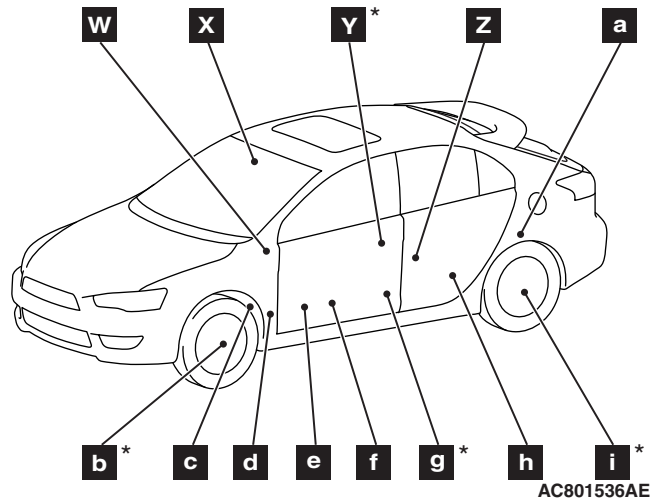
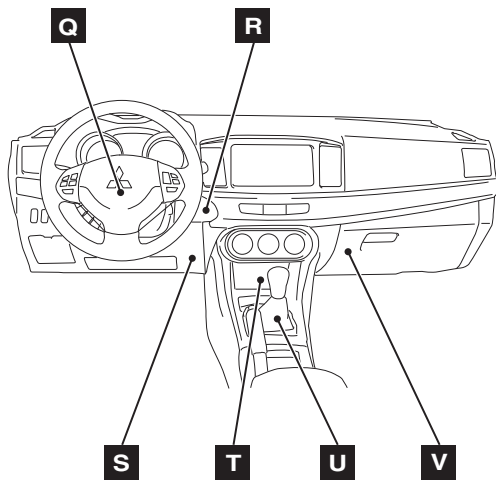
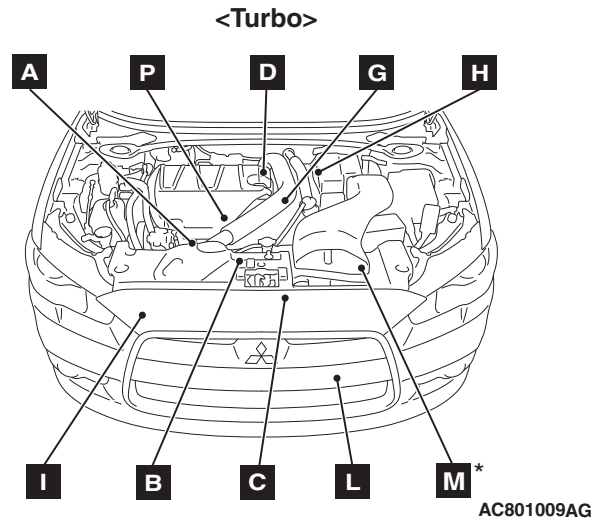
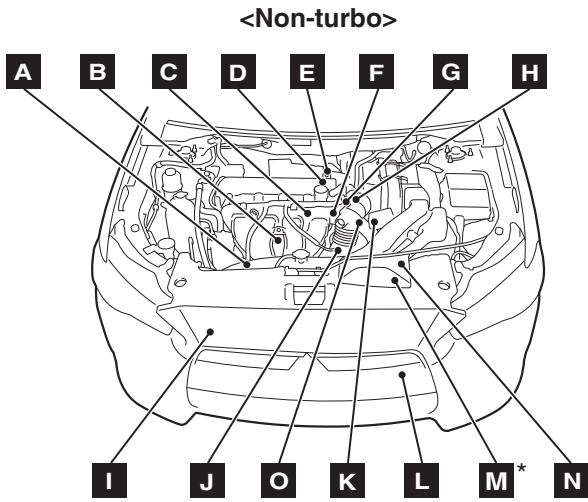




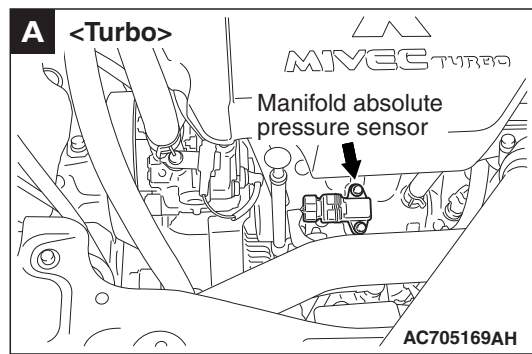
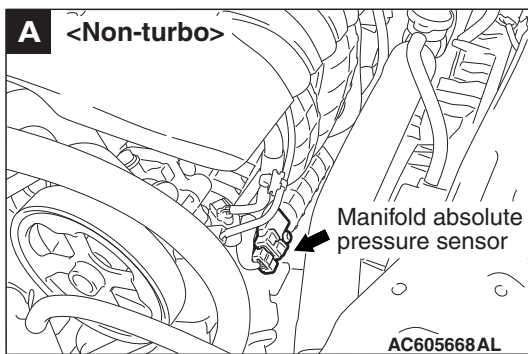
## SENSOR

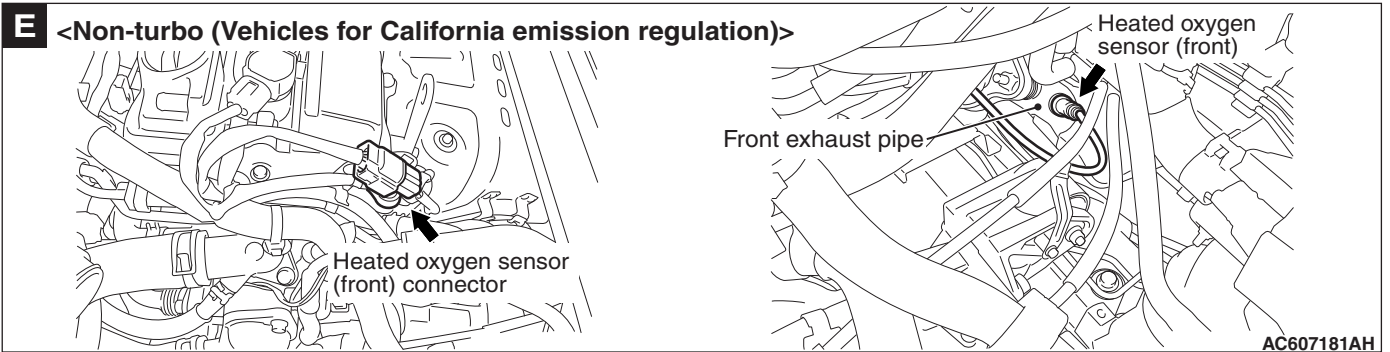
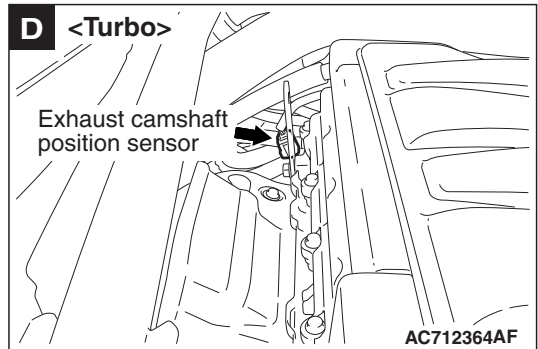
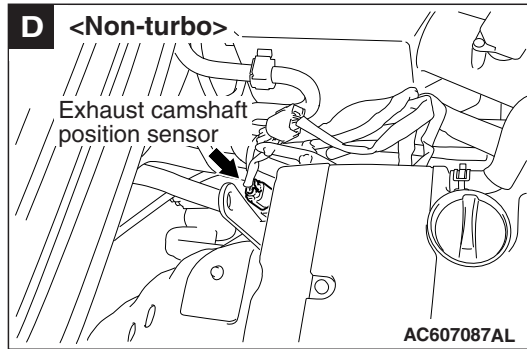
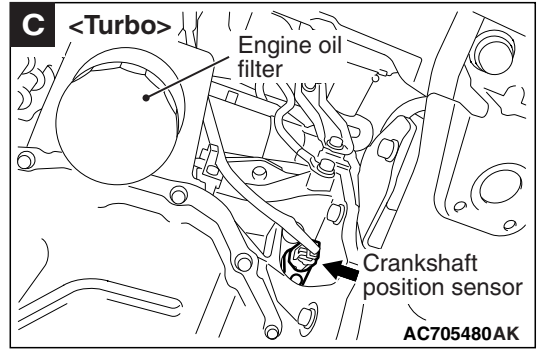
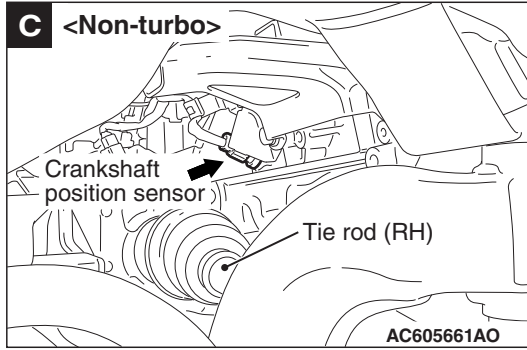
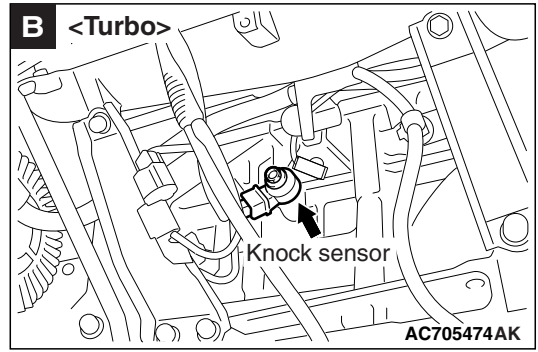
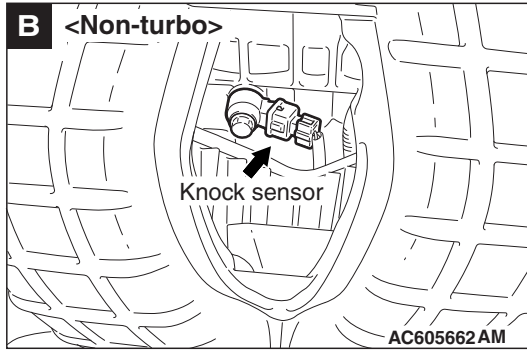
M1701000602499

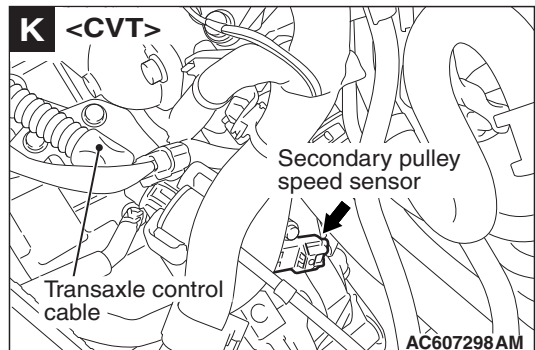
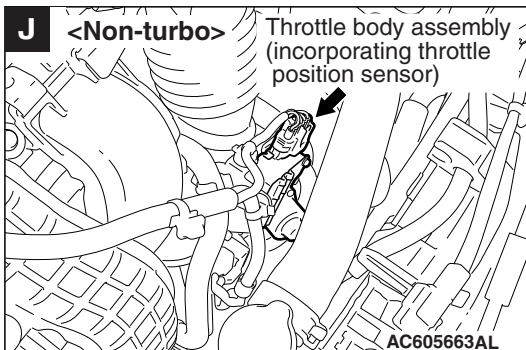
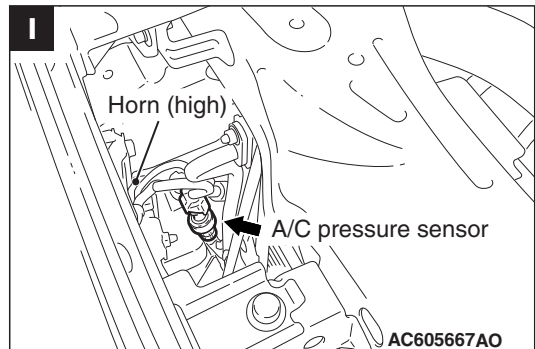
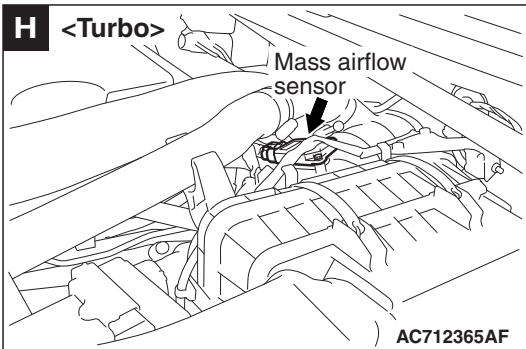
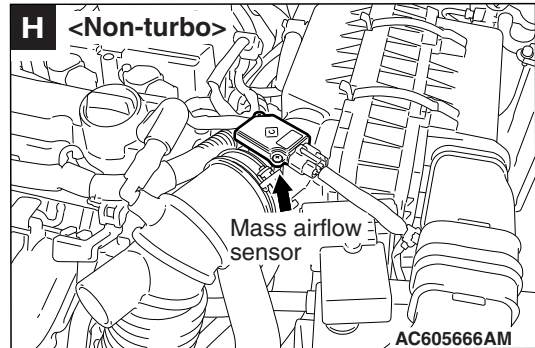
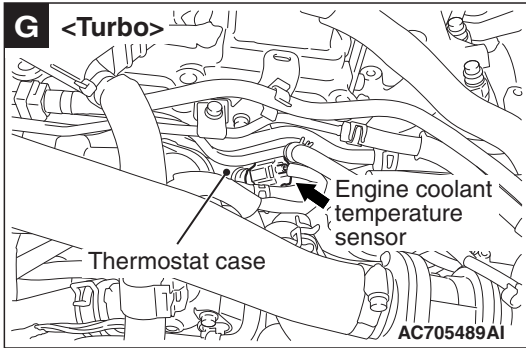
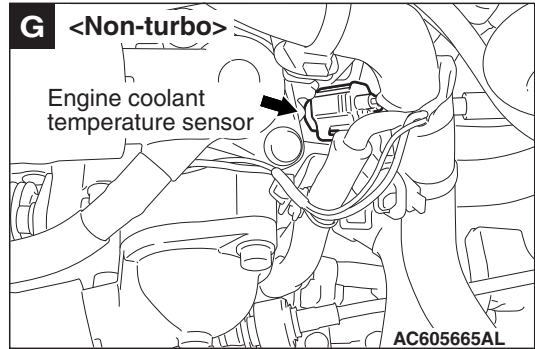
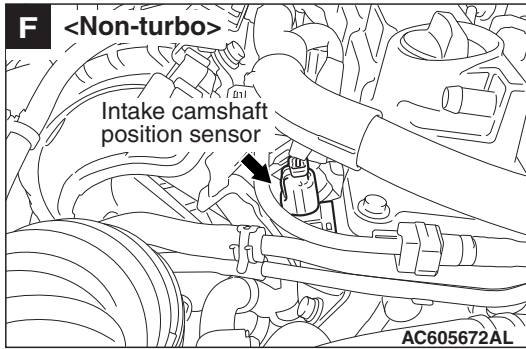
Name	Symbol	Name	Symbol
A/C pressure sensor	I	Intake camshaft position sensor <Turbo>	P
Accelerator pedal position sensor	S	Interior temperature sensor	R
Air thermo sensor	V	Knock sensor	B
Ambient temperature sensor	L	Lighting control sensor <Vehicles with automatic light>	X
Crankshaft position sensor	C	Manifold absolute pressure sensor	A
Engine coolant temperature sensor	G	Mass airflow sensor	H
Fin thermo sensor	V	No.2 intake air temperature sensor <Turbo>	P
Front impact sensor	M	Pressure sensor <Turbo>	a
Front wheel speed sensor	b	Primary pulley speed sensor <CVT>	N
Fuel level sensor (sub) <AWD>	Z	Rear wheel speed sensor	i
Fuel pump module (incorporating fuel level sensor (main) and fuel tank temperature sensor)	h	Seat slide sensor (LH)	f
Fuel tank differential pressure sensor	h	Secondary pulley speed sensor <CVT>	K
G and yaw rate sensor	T	Shift lever (incorporating lever position sensor)	U
Heated oxygen sensor (3rd) <Non-turbo (Vehicles for California emission regulation)>	e	Side impact sensor	g
Heated oxygen sensor (front) <Non-turbo (Except vehicles for California emission regulation)>	c	Steering wheel sensor	Q
Heated oxygen sensor (front) <Non-turbo (Vehicles for California emission regulation)>	E	Throttle body assembly (incorporating throttle position sensor) <Non-turbo>	J
Heated oxygen sensor (front) <Turbo>	d	Throttle body assembly (incorporating throttle position sensor) <Turbo>	P
Heated oxygen sensor (rear) <Non-turbo (Except vehicles for California emission regulation)>	e	Unlock sensor <Vehicles with KOS>	Y
Heated oxygen sensor (rear) <Non-turbo (Vehicles for California emission regulation)>	c	Vehicle speed sensor <M/T>	O
Heated oxygen sensor (rear) <Turbo>	d	Weight sensor	W
Intake camshaft position sensor <Non-turbo>	F		

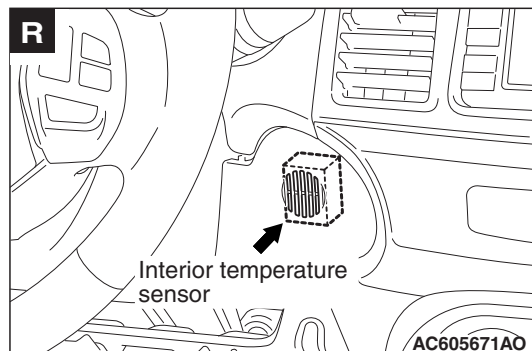
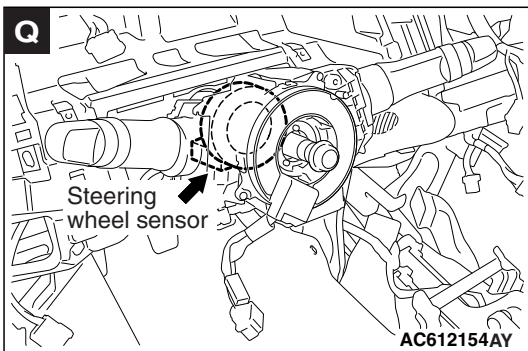
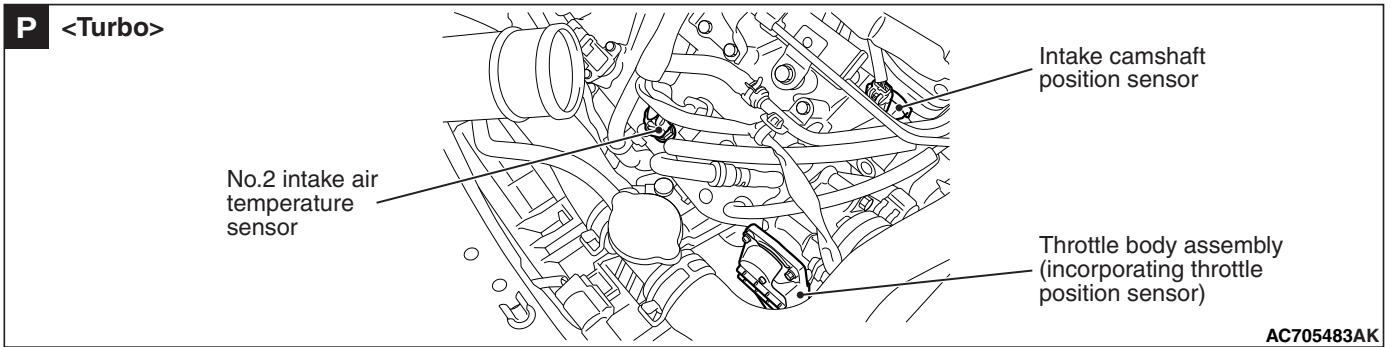
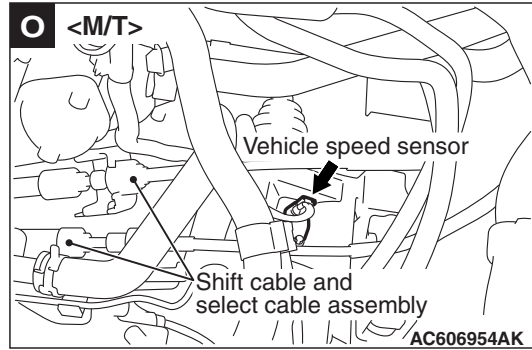
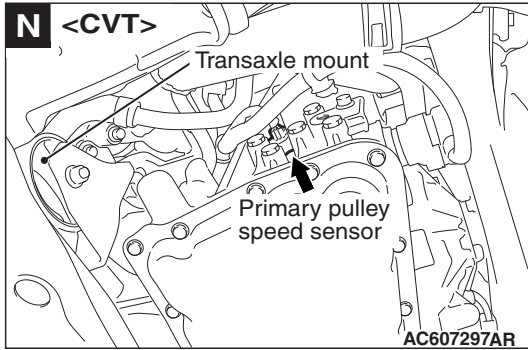
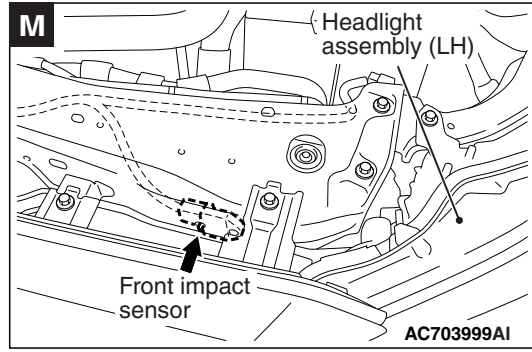
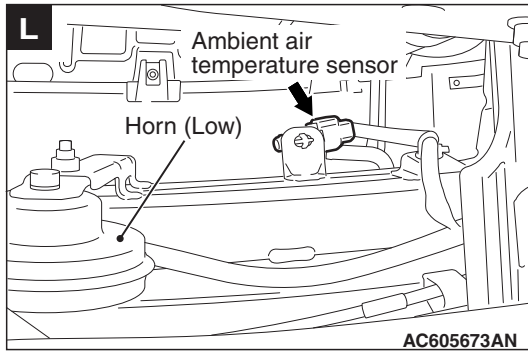


NOTE: The \* symbols indicate equipped at the right side.

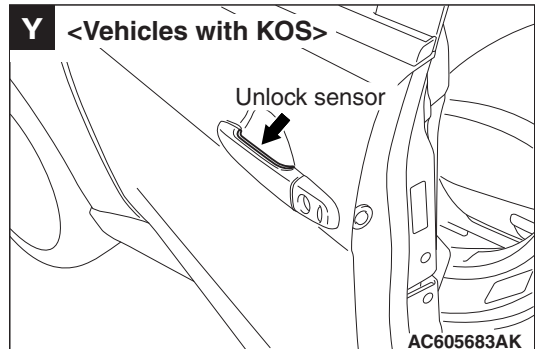
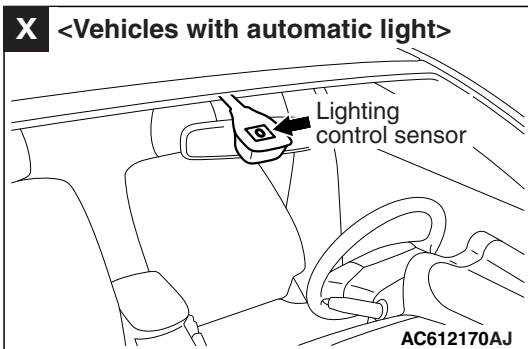
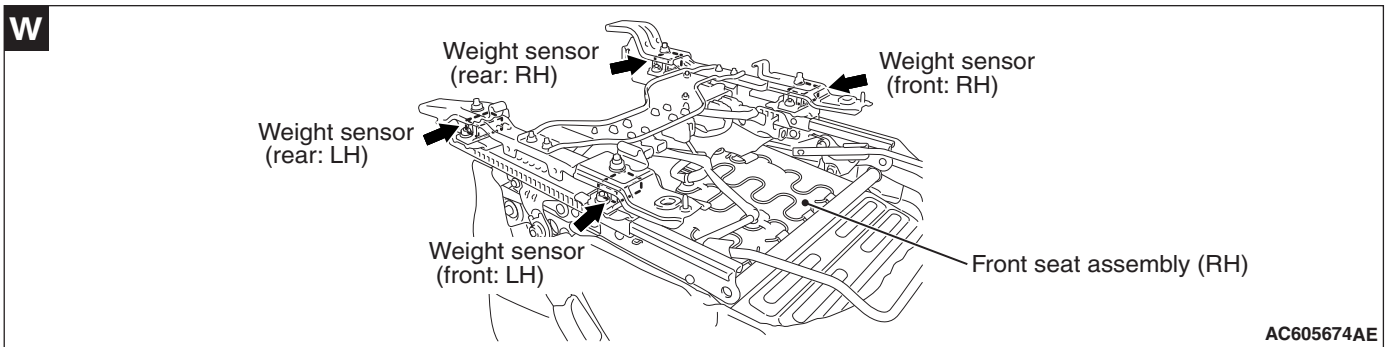
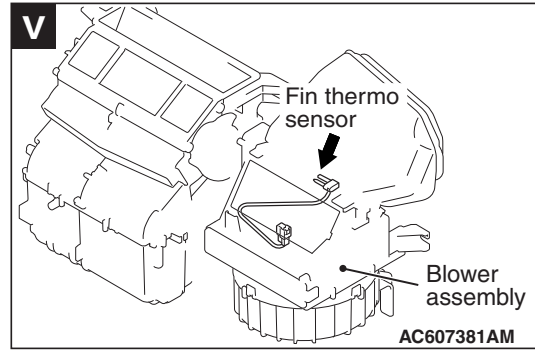
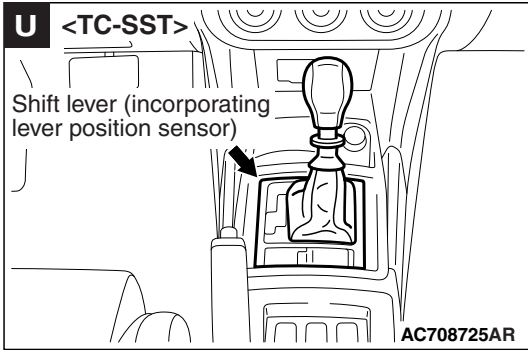
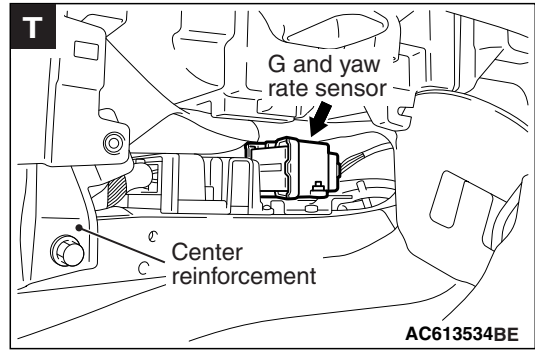
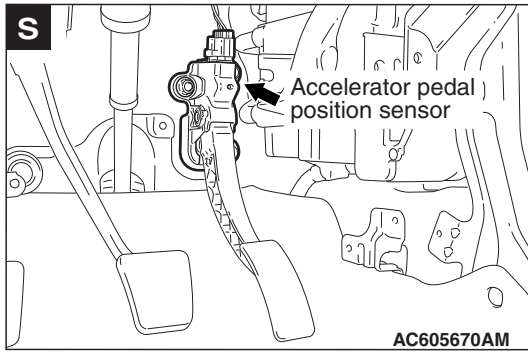


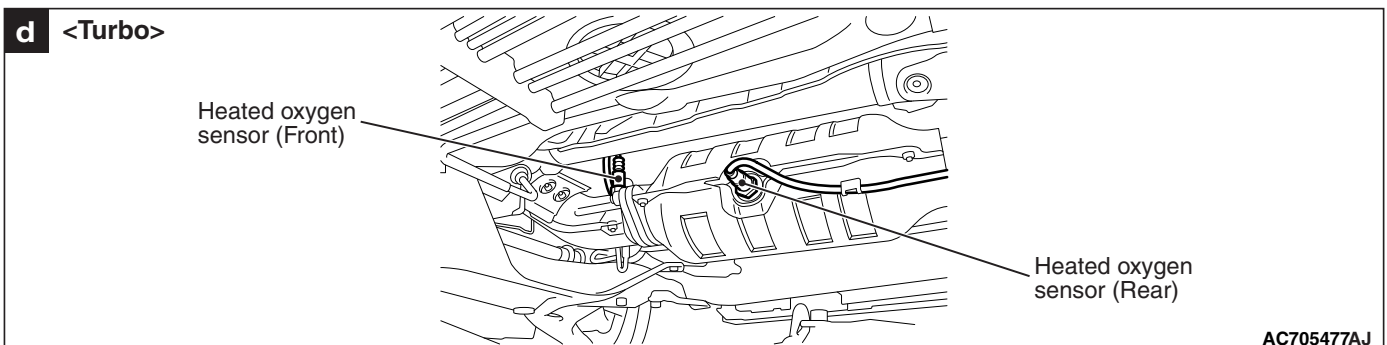
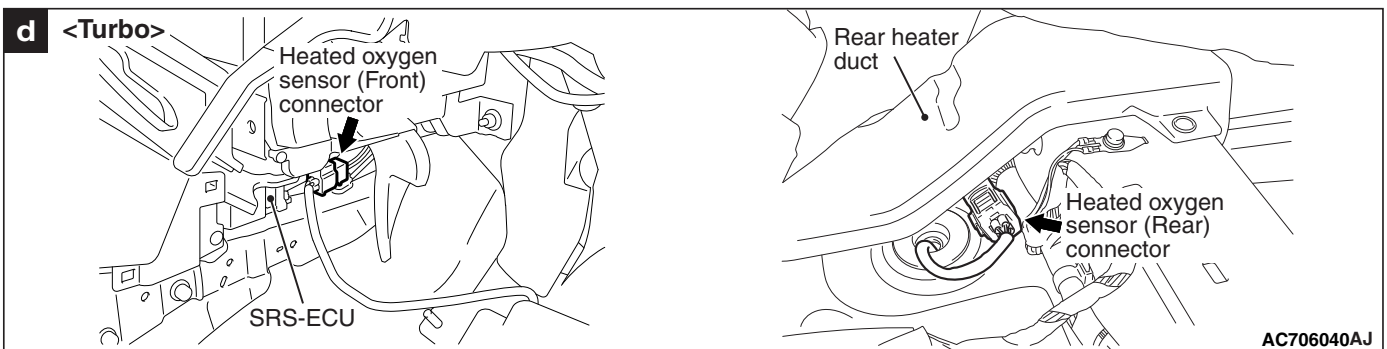
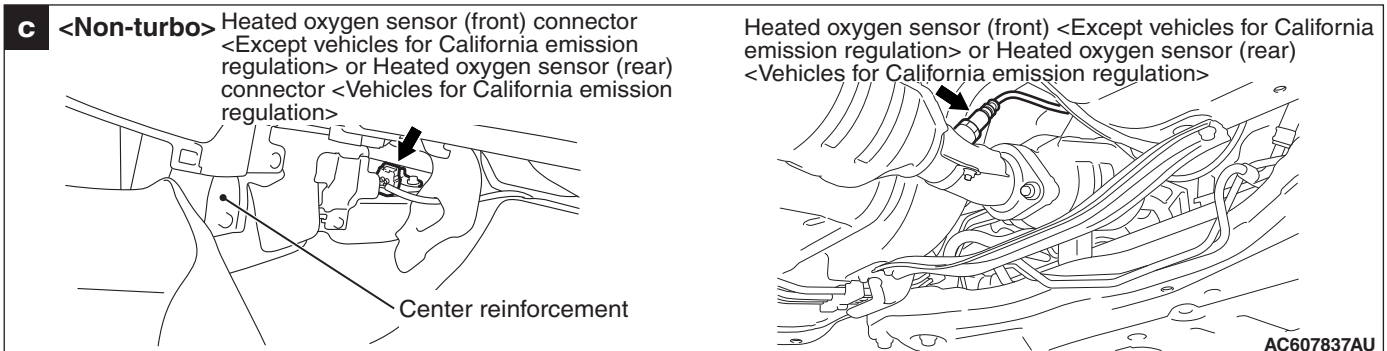
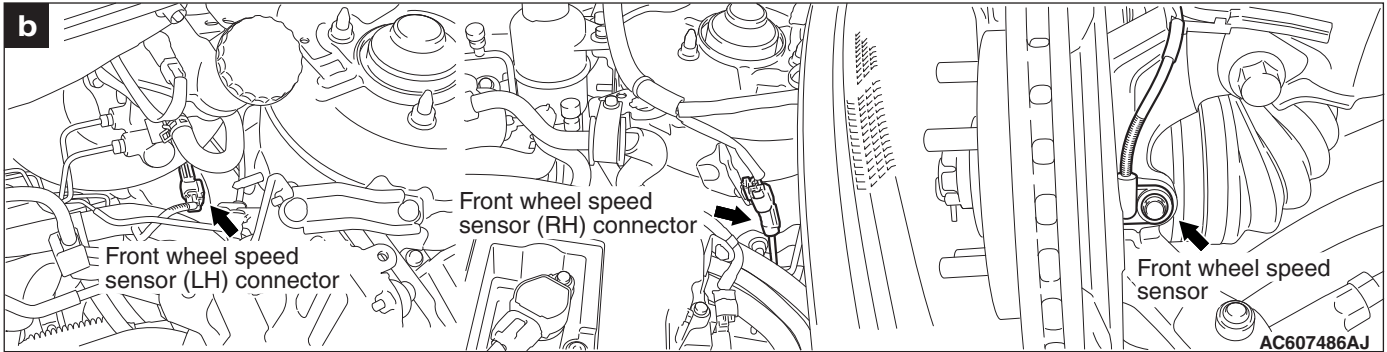
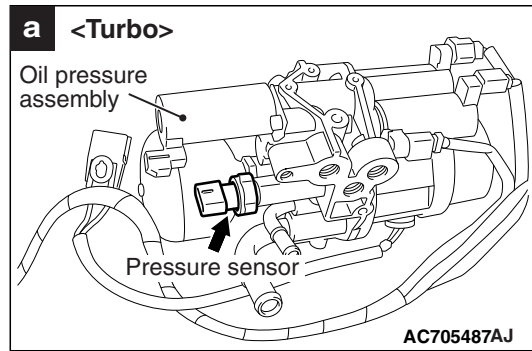
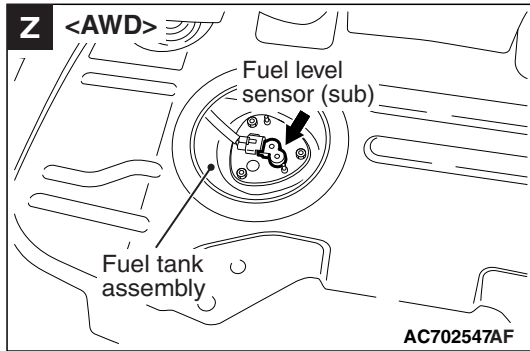


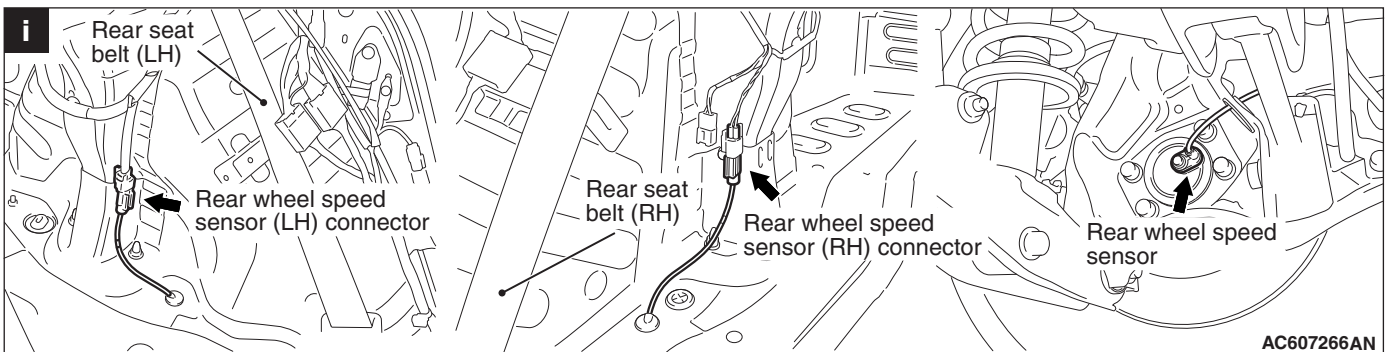
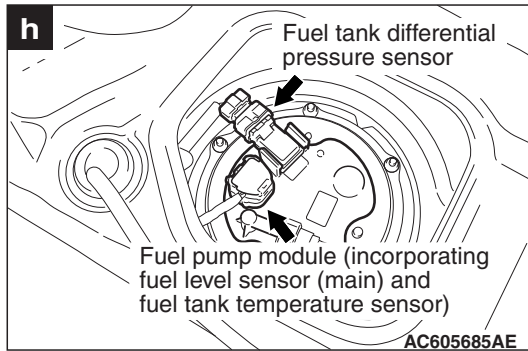
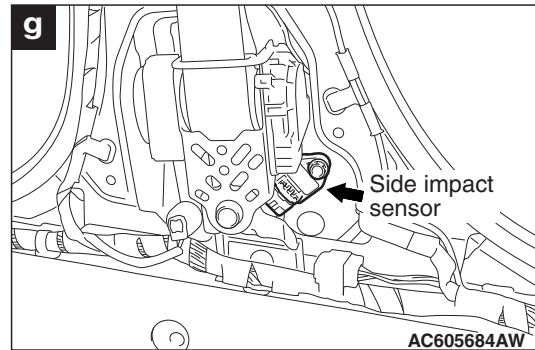
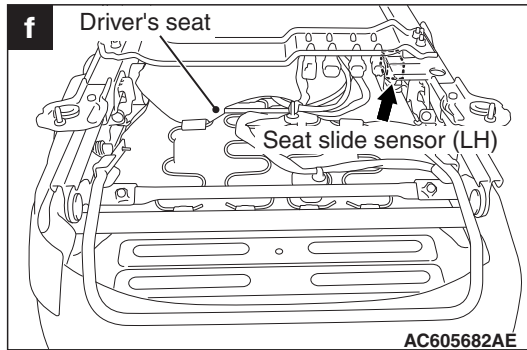
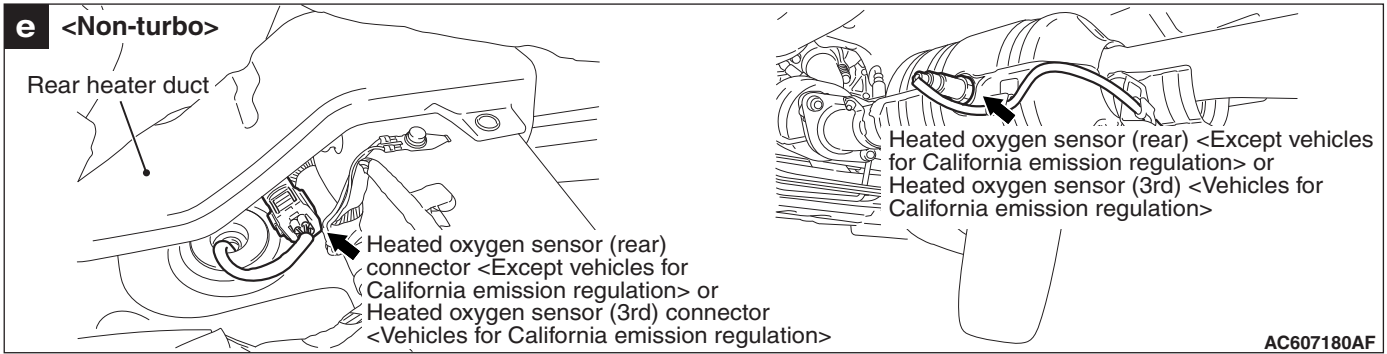








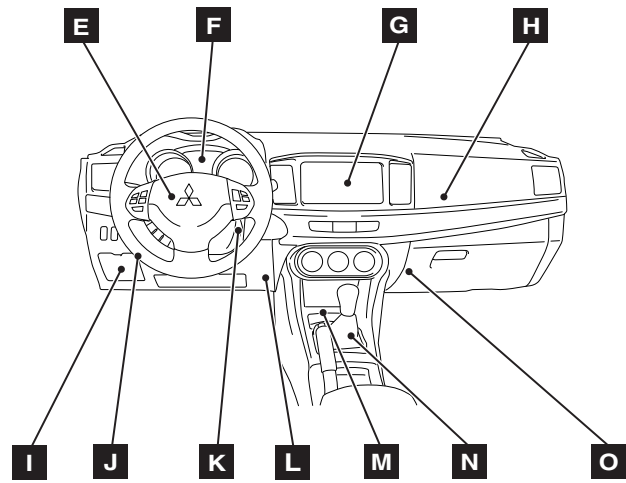
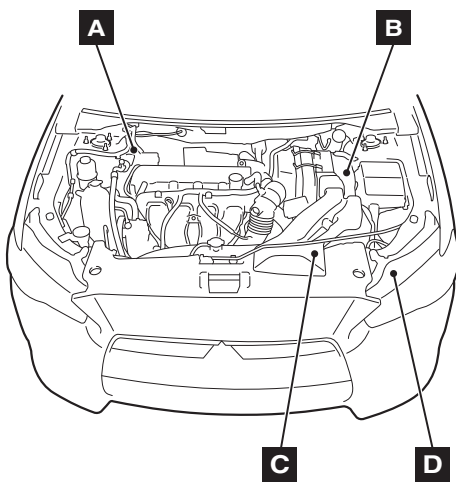




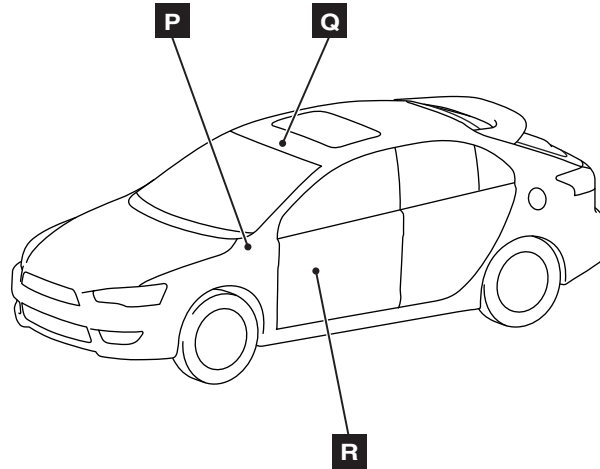
## CONTROL UNIT

M1701000700973

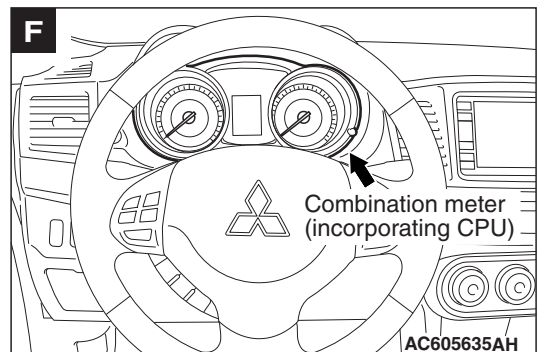
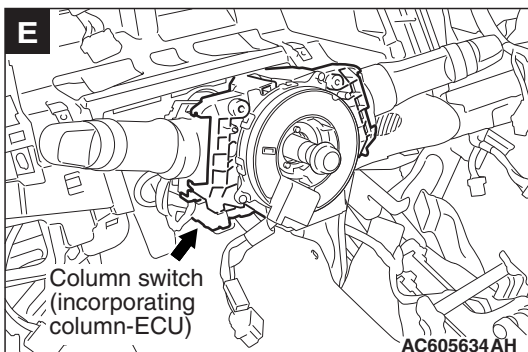
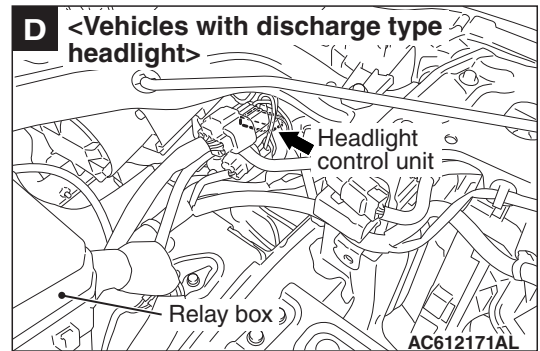
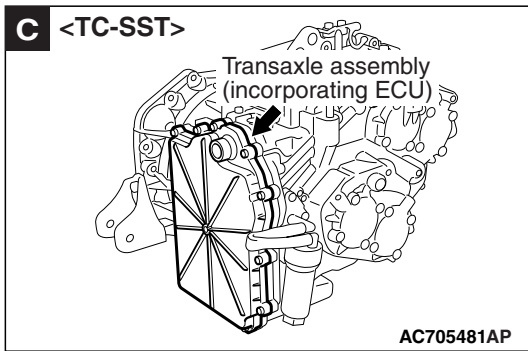
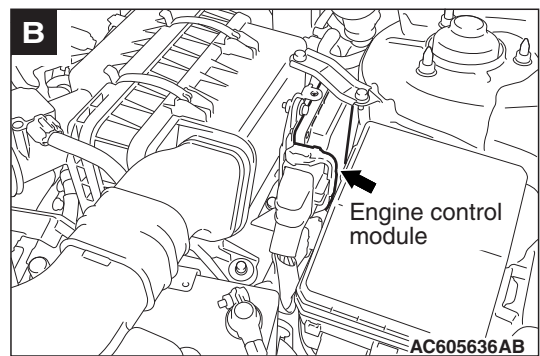
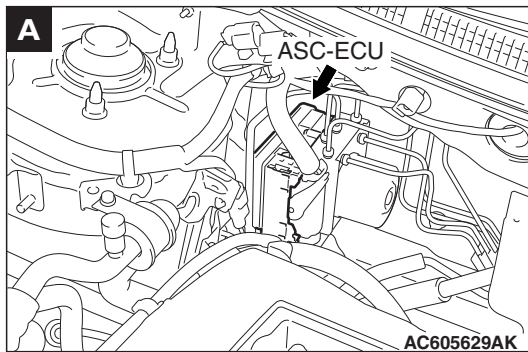
Name	Symbol	Name	Symbol
A/C-ECU	O	KOS-ECU	L
ASC-ECU	A	Multivision display <Vehicles with MMCS>	G
AWC-ECU <Turbo>	J	Power window main switch (incorporating CPU)	R
CAN box unit <Vehicles with MMCS>	G	Receiver antenna module <Vehicles with KOS>	K
Column switch (incorporating column-ECU)	E	Shift lever (incorporating CPU) <TC-SST>	N
Combination meter (incorporating CPU)	F	SRS-ECU	M
Engine control module	B	Sunroof motor assembly (incorporating CPU)	Q
ETACS-ECU	I	Transaxle assembly (incorporating ECU) <TC-SST>	C
Front seat assembly (RH) (incorporating occupant classification-ECU)	P	Transaxle control module <CVT>	J
Hands free module	H	Wireless control module <Vehicles without KOS>	K
Headlight control unit <Vehicles with discharge type headlight>	D		

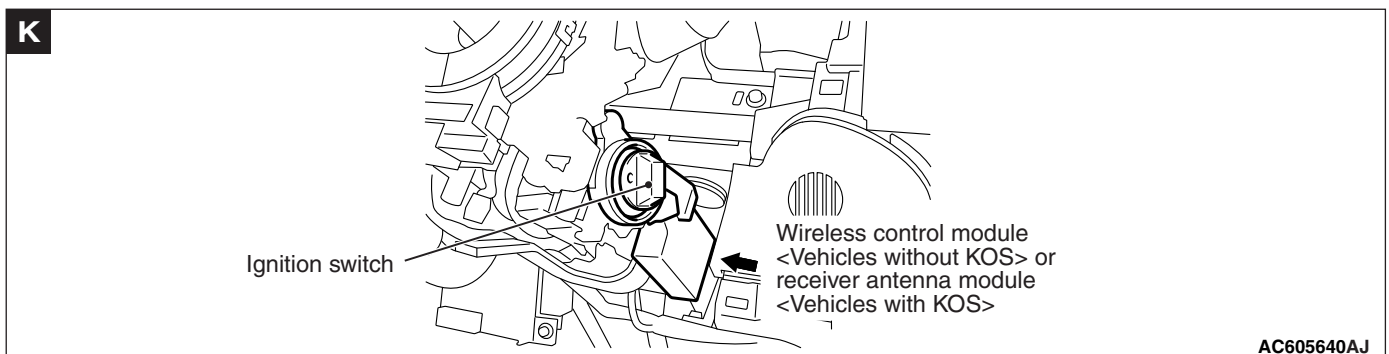
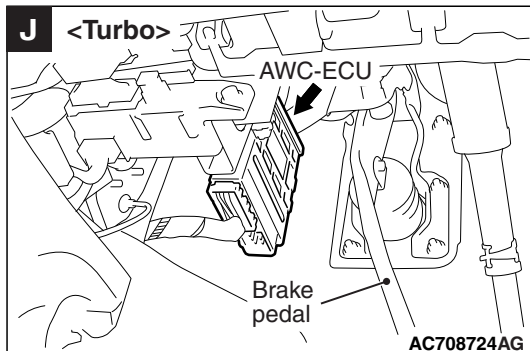
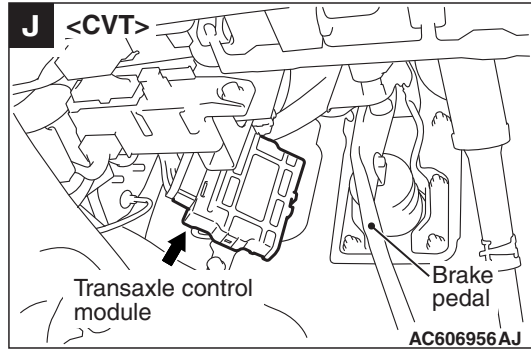
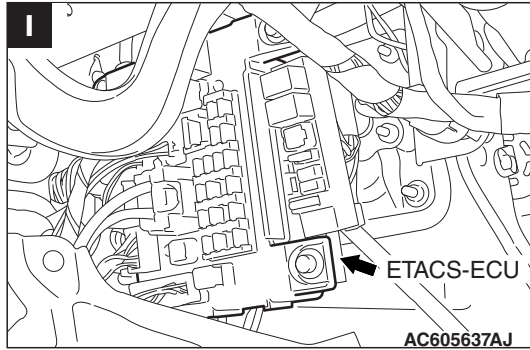
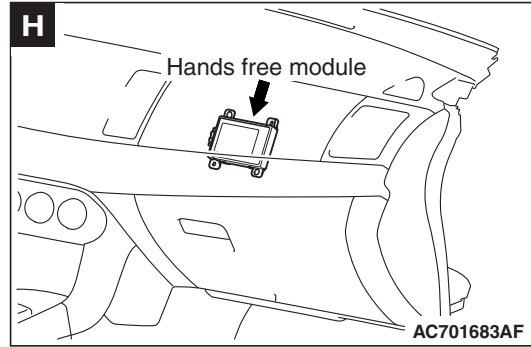
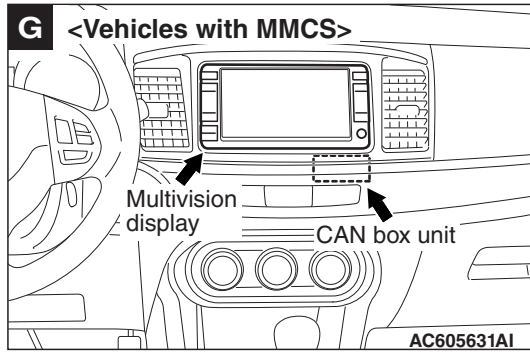


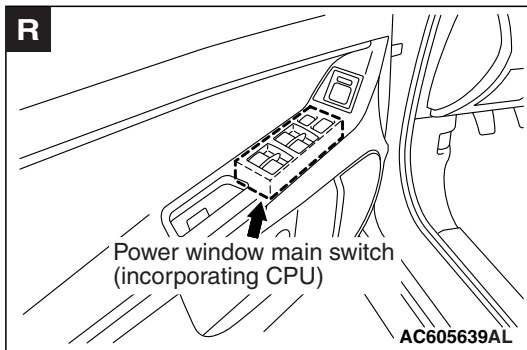
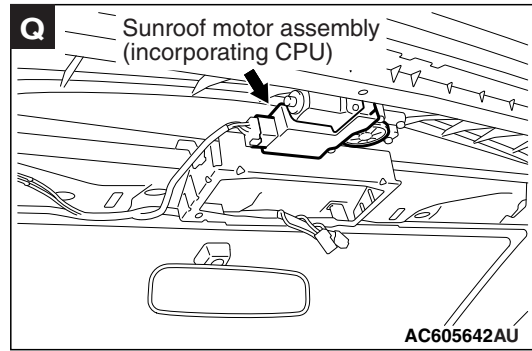
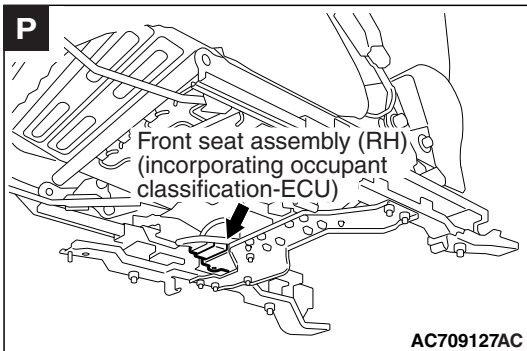
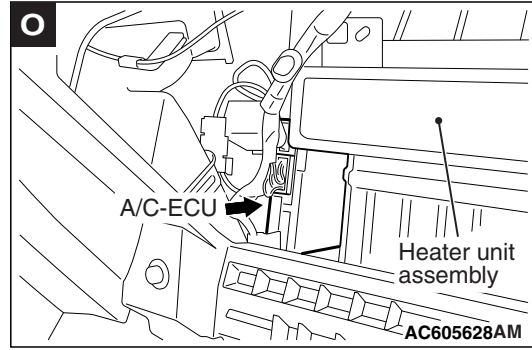
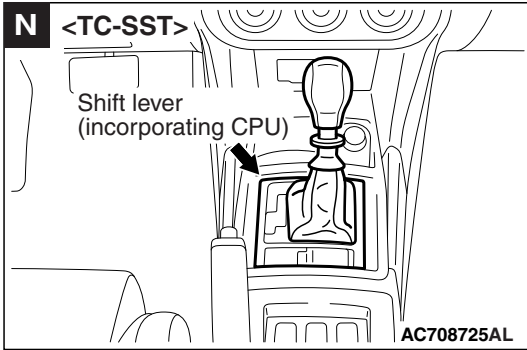
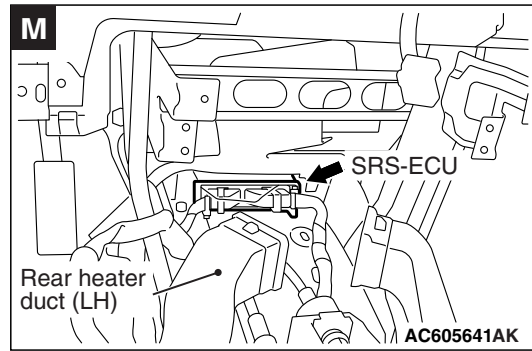
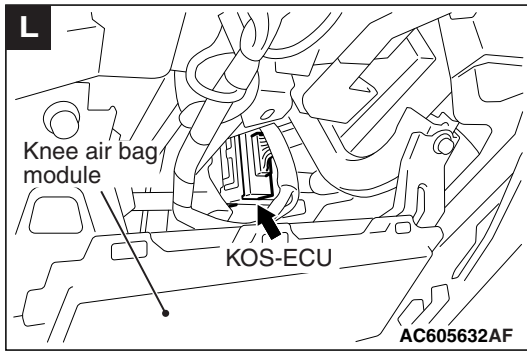
AC607487AJ



AC807033AB





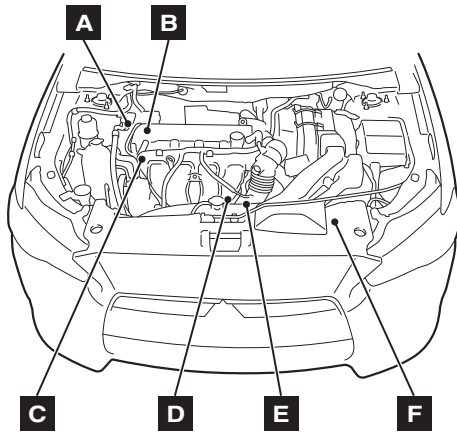


SOLENOID AND SOLENOID VALVE

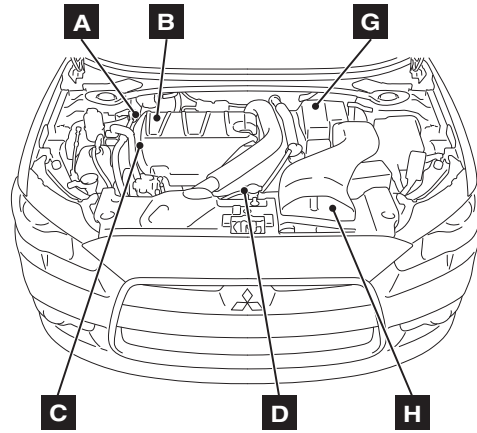
M170100801757

Name	Symbol	Name	Symbol
CVT assembly (incorporating CVT control solenoid valve)	F	Hydraulic unit assembly (incorporating proportioning valve) <Turbo>	J
Evaporative emission purge solenoid	D	Intake engine oil control valve	C
Evaporative emission ventilation solenoid	K	Shift lever (incorporating shift lock solenoid) <TC-SST>	I
Exhaust engine oil control valve	B	Shift lock solenoid <CVT>	I
Exhaust gas recirculation valve <Non-turbo>	E	Transaxle assembly (incorporating solenoid valve) <TC-SST>	H
Hydraulic unit (incorporating ABS solenoid valve)	A	Turbocharger wastegate solenoid <Turbo>	G

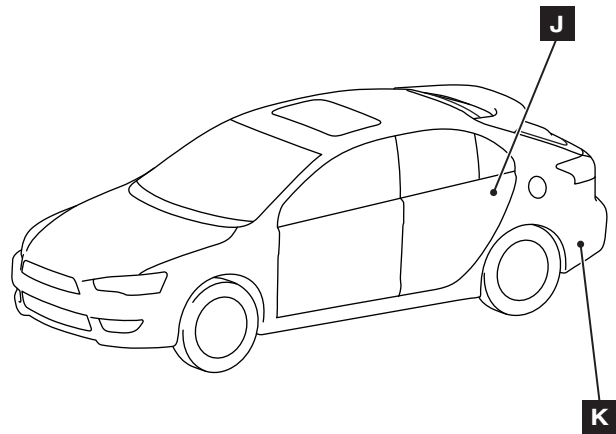
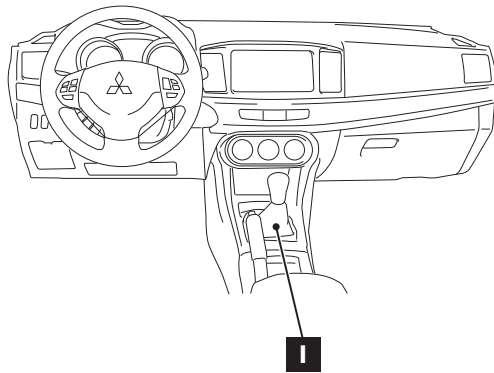
<Non-turbo>



<Turbo>

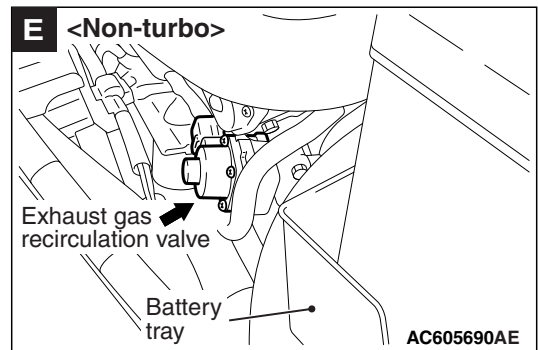
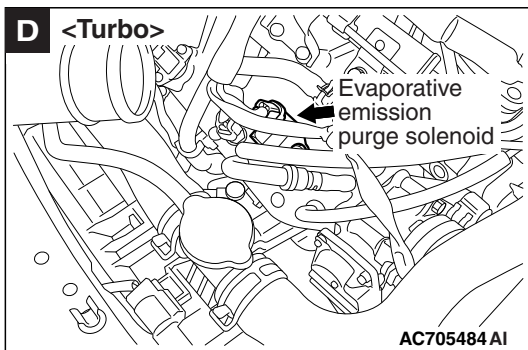
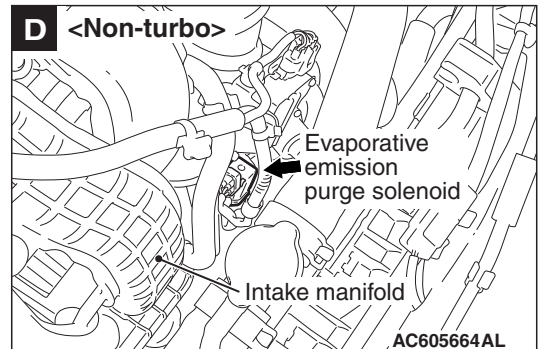
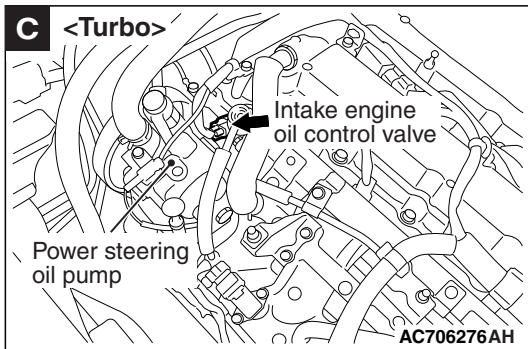
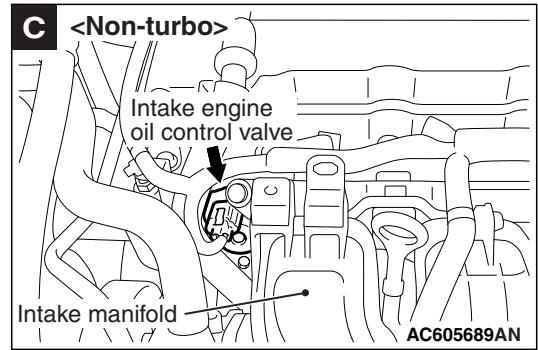
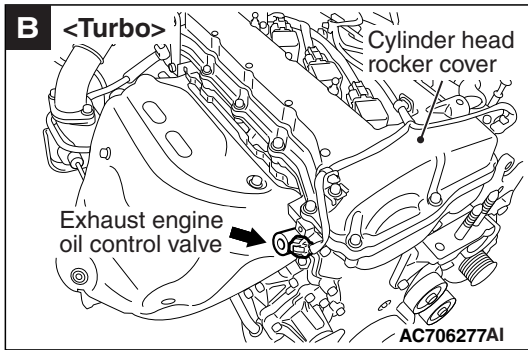
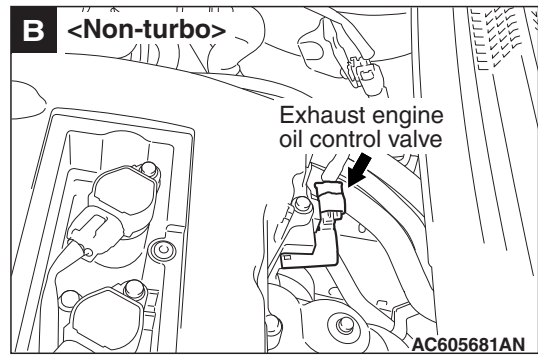
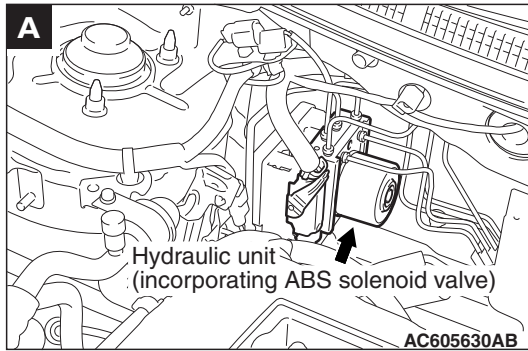


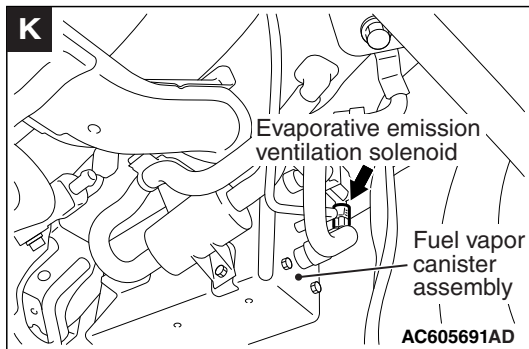
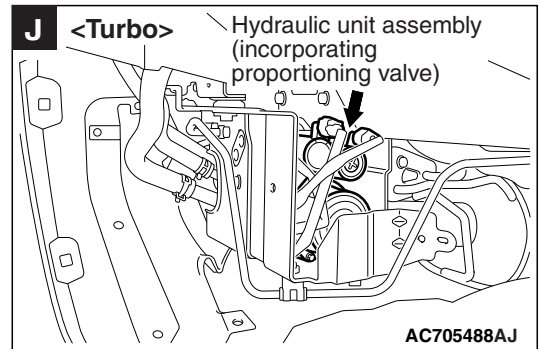
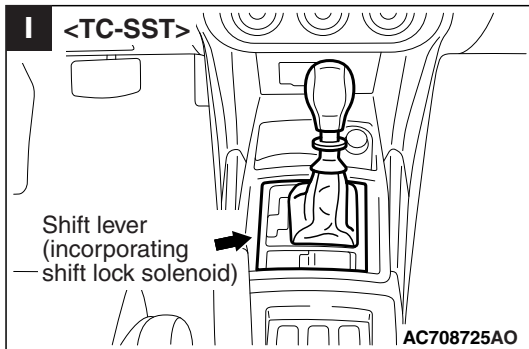
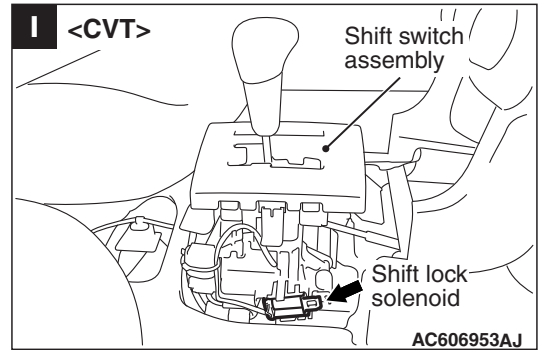
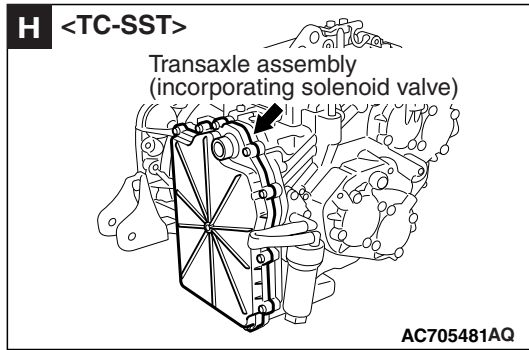
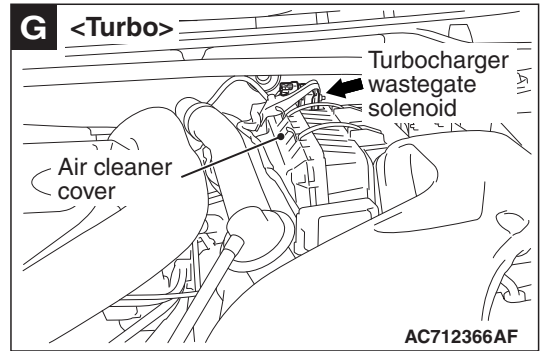
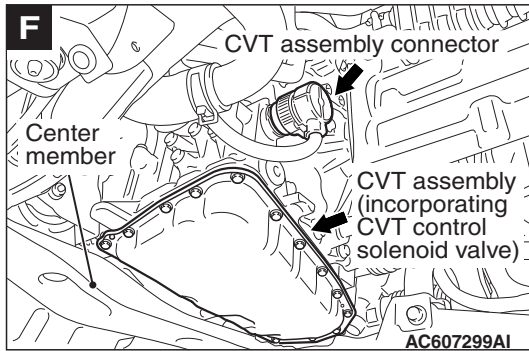
AC801009AH



AC801536AF



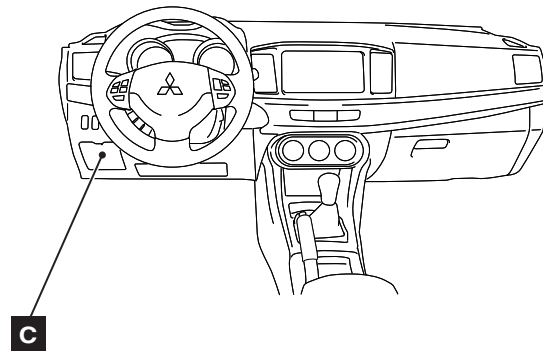
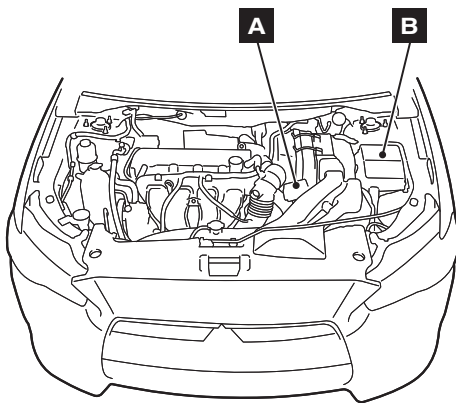




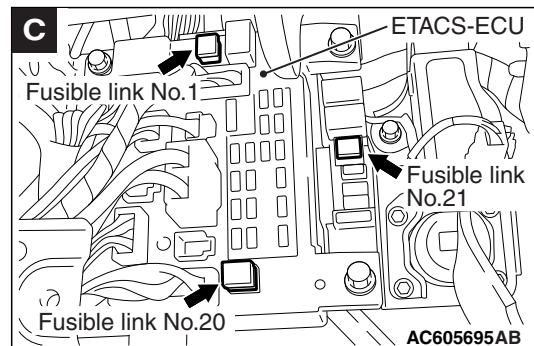
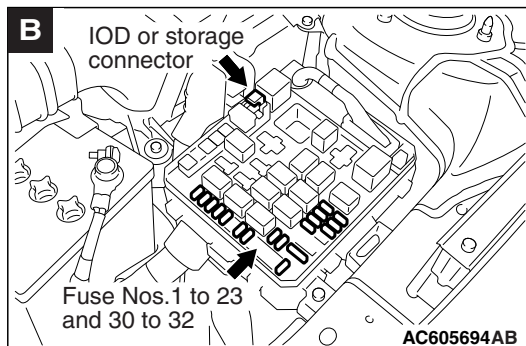
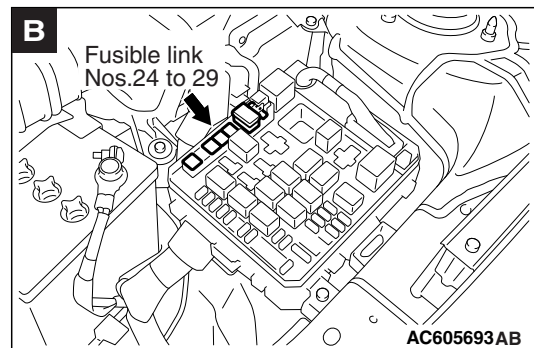
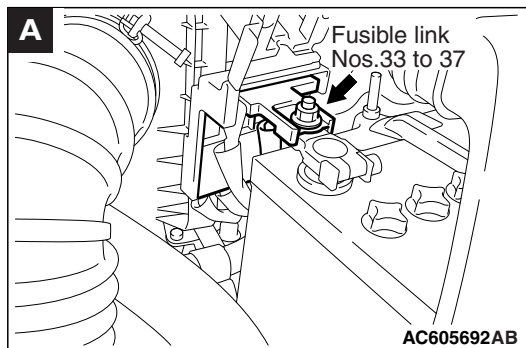
# FUSIBLE LINK, FUSE AND IOD OR STORAGE CONNECTOR

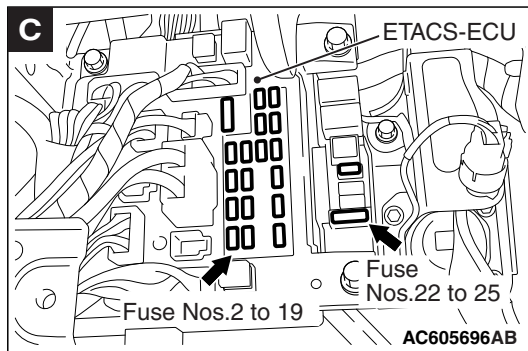
M1701000101242

Name	Symbol	Name	Symbol
Fuse Nos.1 to 23 and 30 to 32 (Engine compartment relay box)	B	Fusible link No. 21 (Passenger compartment relay box)	C
Fuse Nos.2 to 19 (ETACS-ECU)	C	Fusible link Nos.24 to 29 (Engine compartment relay box)	B
Fuse Nos.22 to 25 (Passenger compartment relay box)	C	Fusible link Nos.33 to 37 (Connected directly to battery positive terminal)	A
Fusible link Nos.1 and 20 (ETACS-ECU)	C	IOD or storage connector	B



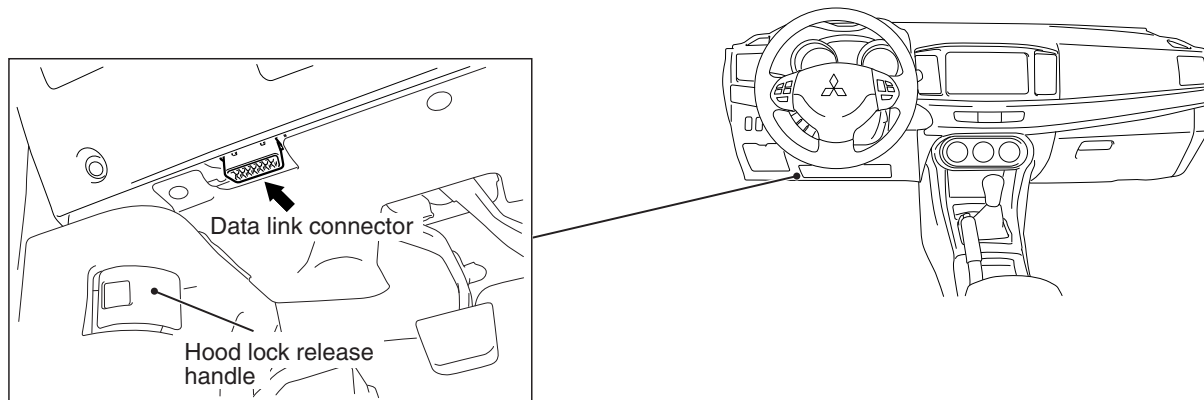
AC607487AC





## INSPECTION TERMINAL

M1701000200848

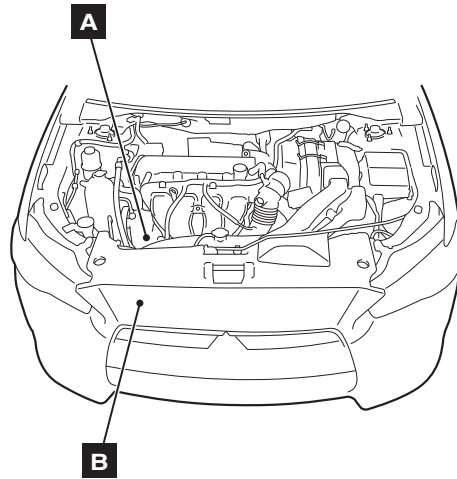


AC607489AB

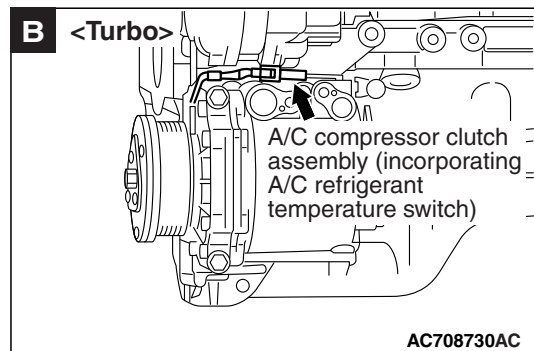
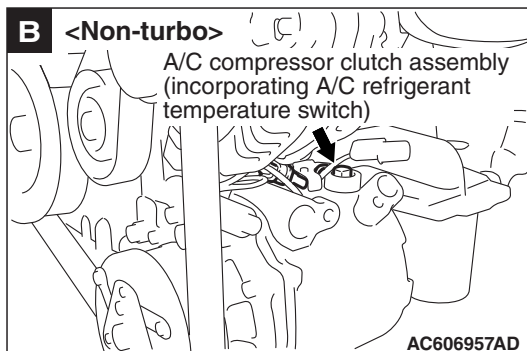
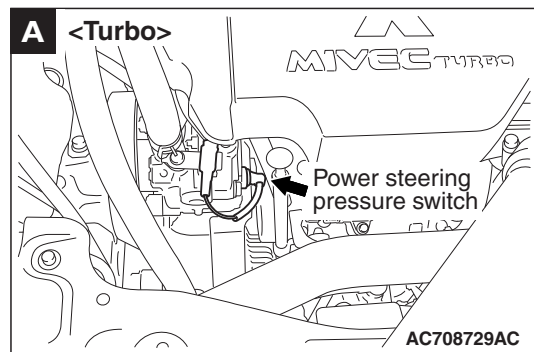
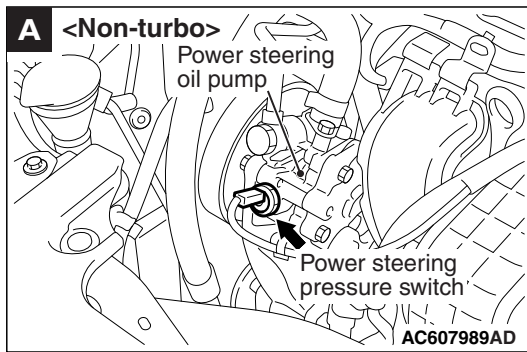
OTHER DEVICES

M1701005600539

Name	Symbol	Name	Symbol
A/C compressor clutch assembly (incorporating A/C refrigerant temperature switch)	B	Power steering pressure switch	A



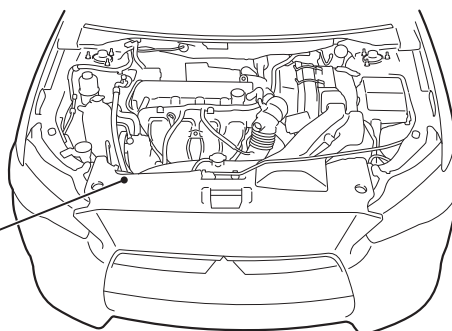
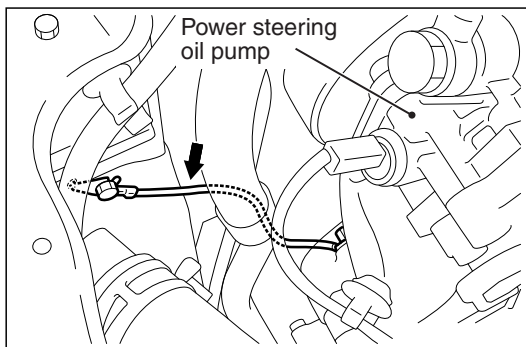
AC607873AB



# GROUNDING CABLE

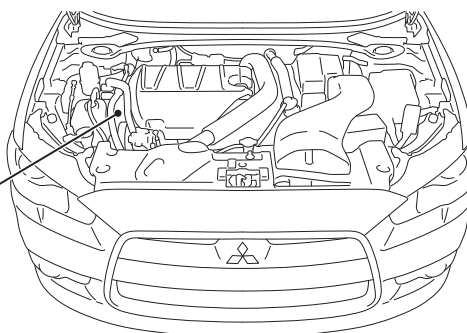
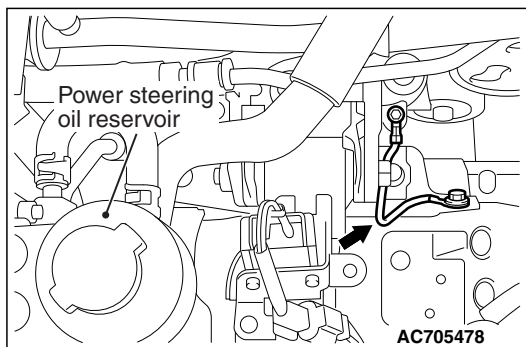
M1701001001196

<Non-turbo>



AC607843AH

<Turbo>

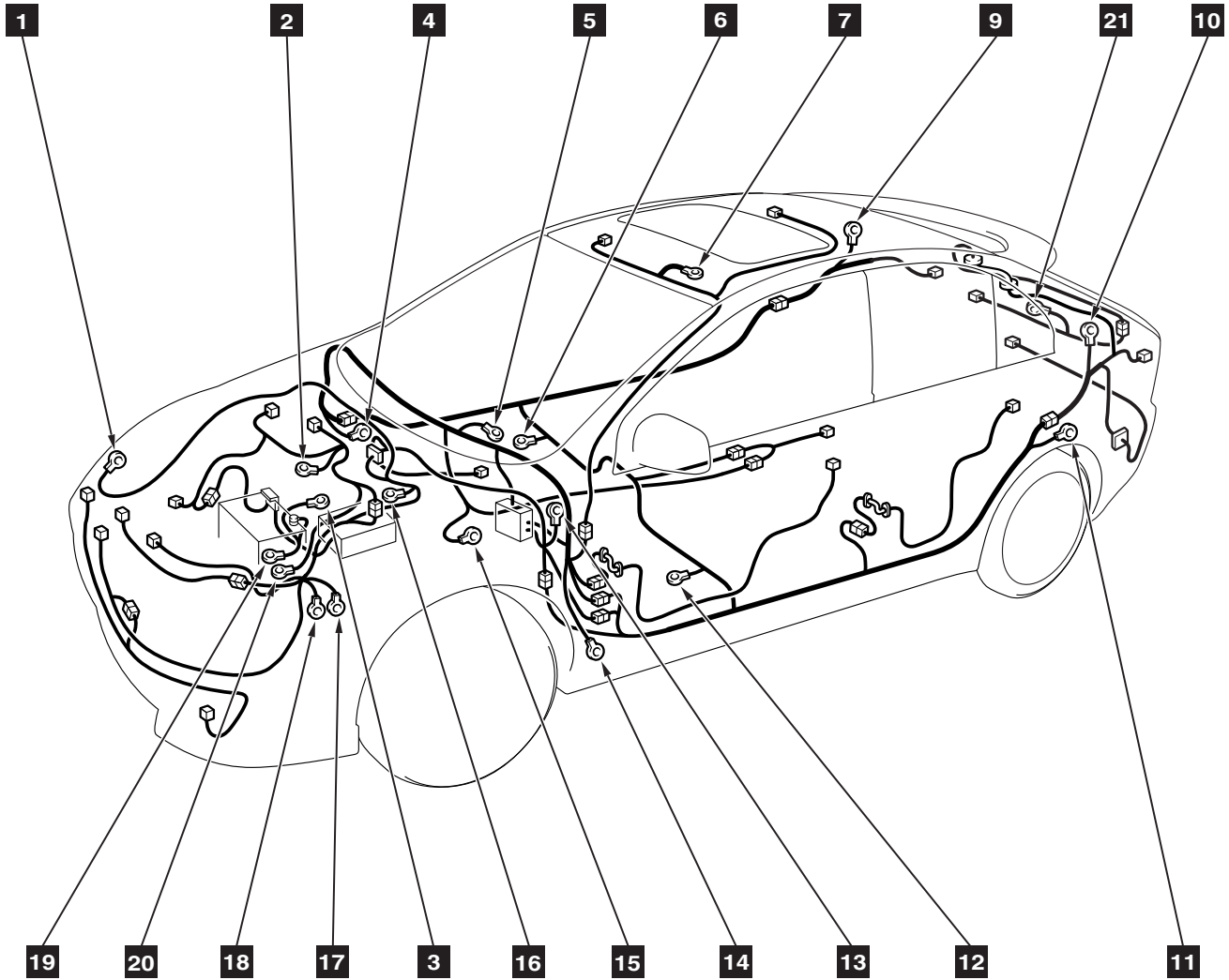


AC712369AF

# GROUNDING

M1701000301707

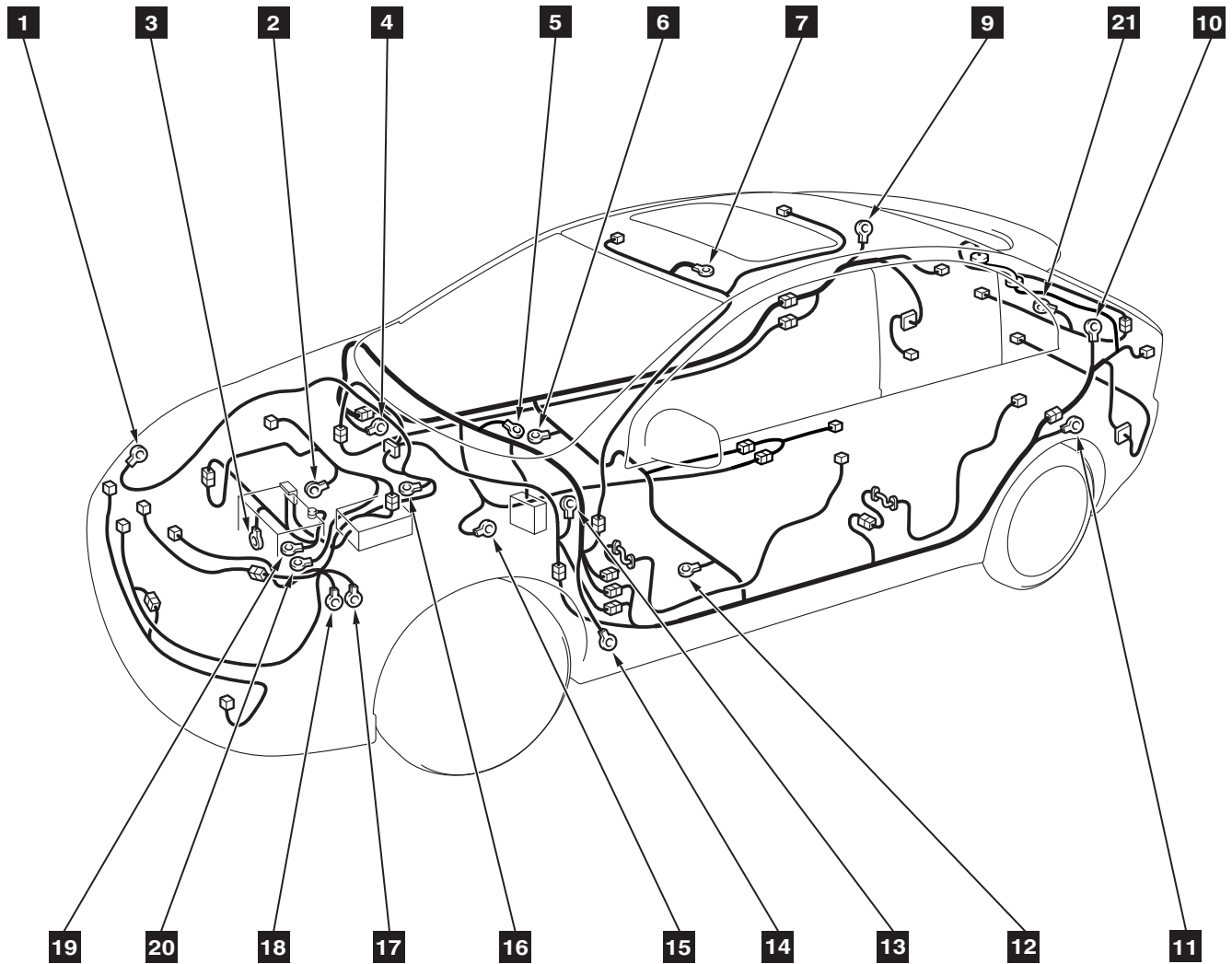
<Non-turbo>



AC807031AC

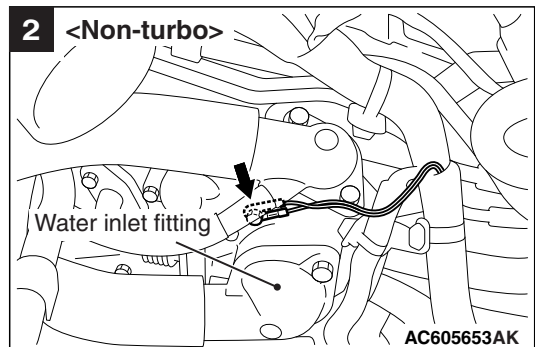
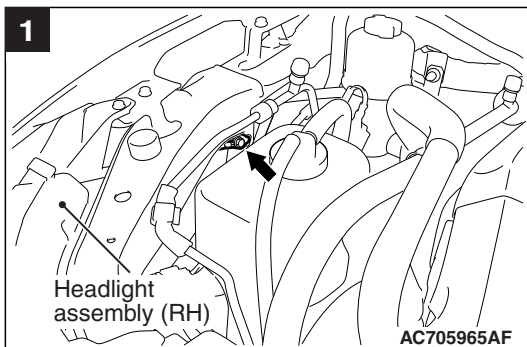
NOTE: 1 to 21 numbers correspond to the body ground point numbers in CIRCUIT DIAGRAMS.

<Turbo>

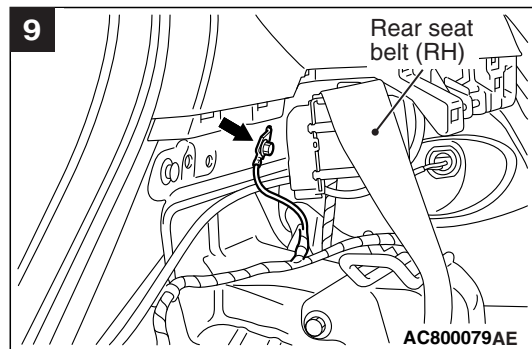
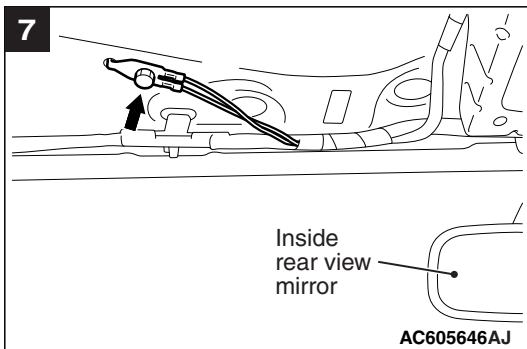
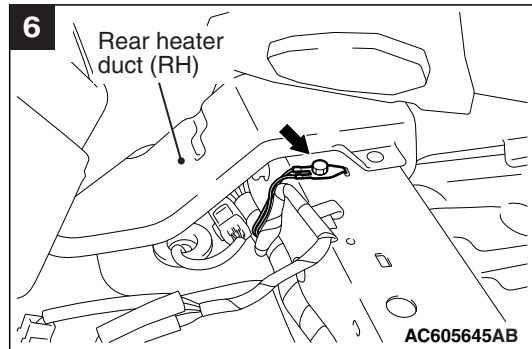
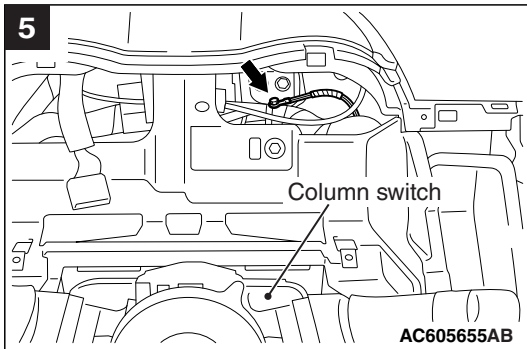
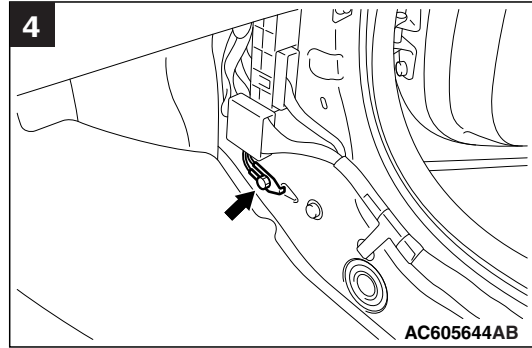
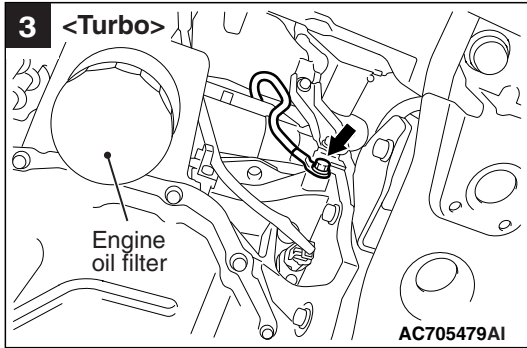
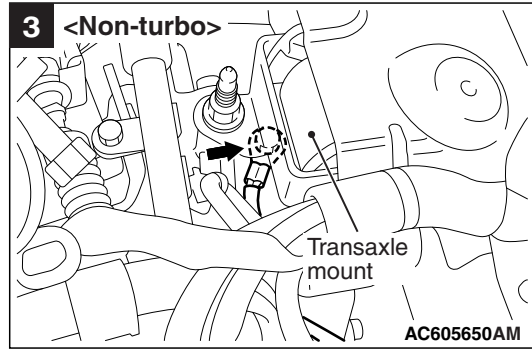
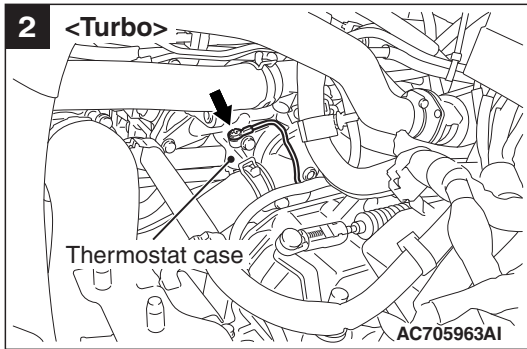


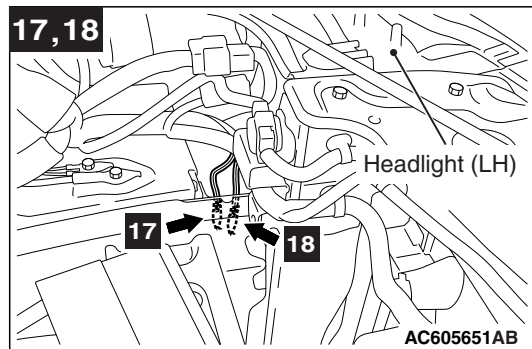
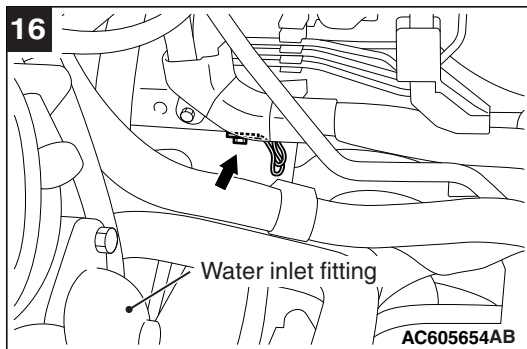
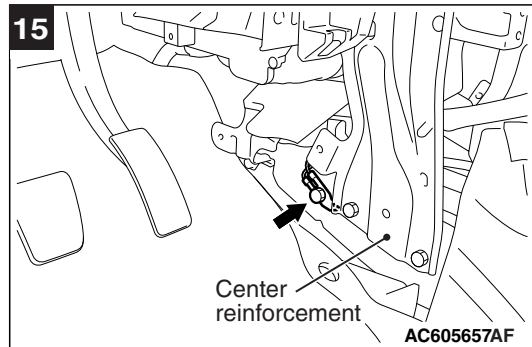
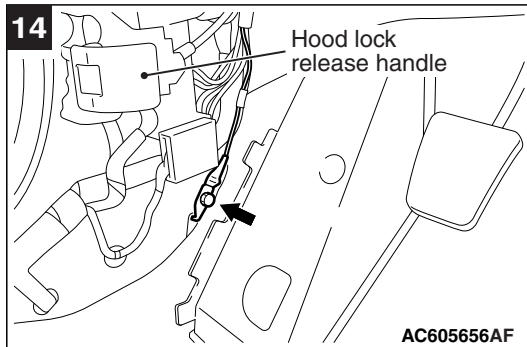
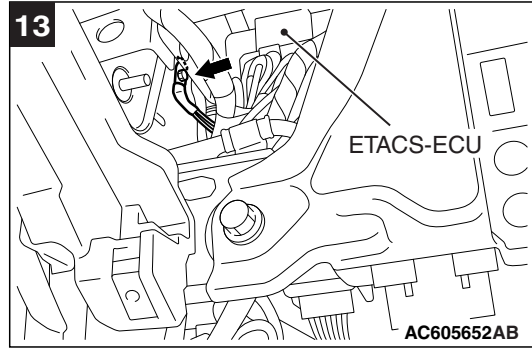
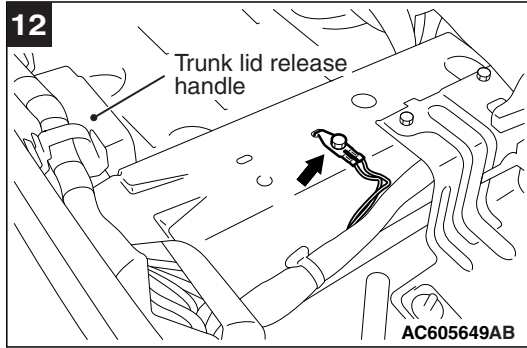
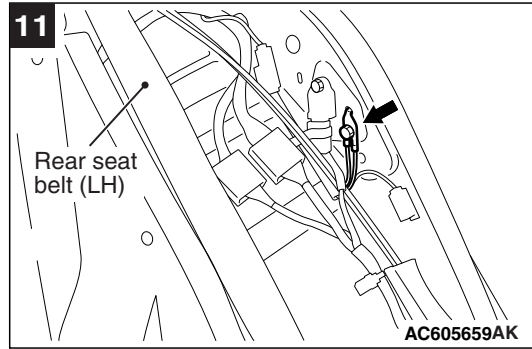
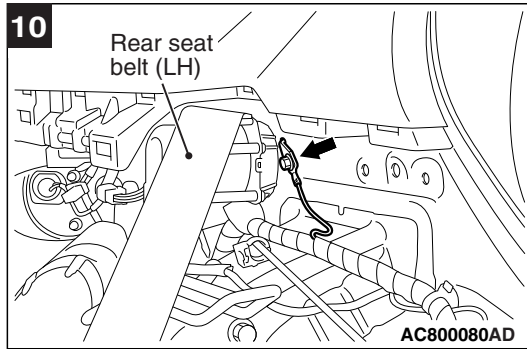
AC807032AC

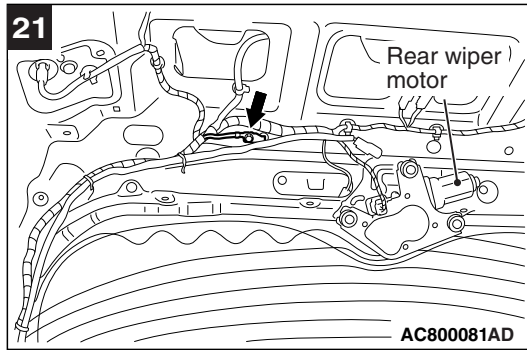
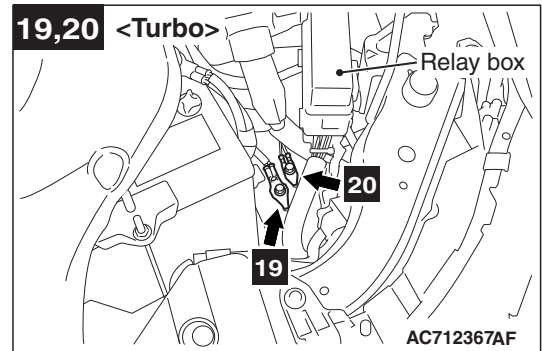
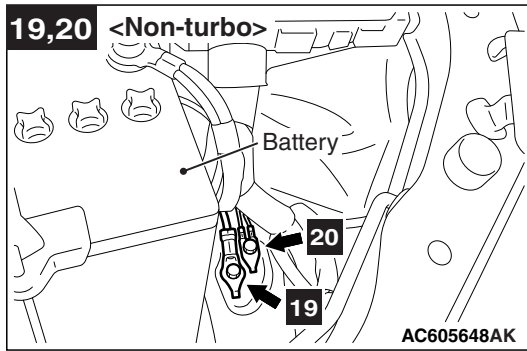
NOTE: 1 to 21 numbers correspond to the body ground point numbers in CIRCUIT DIAGRAMS.











---

## NOTES