

## GROUP 80B

# SPLICE LOCATIONS

## CONTENTS

HOW TO READ SPLICE LOCATIONS.....	80B-2	ENGINE AND TRANSAXLE <TURBO> .....	80B-5
INDEX.....	80B-3	DASH PANEL.....	80B-6
ENGINE COMPARTMENT <NON-TURBO> .....	80B-4	STEERING COLUMN.....	80B-6
ENGINE COMPARTMENT <TURBO>.....	80B-4	FLOOR AND ROOF .....	80B-7
ENGINE AND TRANSAXLE <NON-TURBO> .....	80B-5	DOOR .....	80B-7
		LIFTGATE.....	80B-8

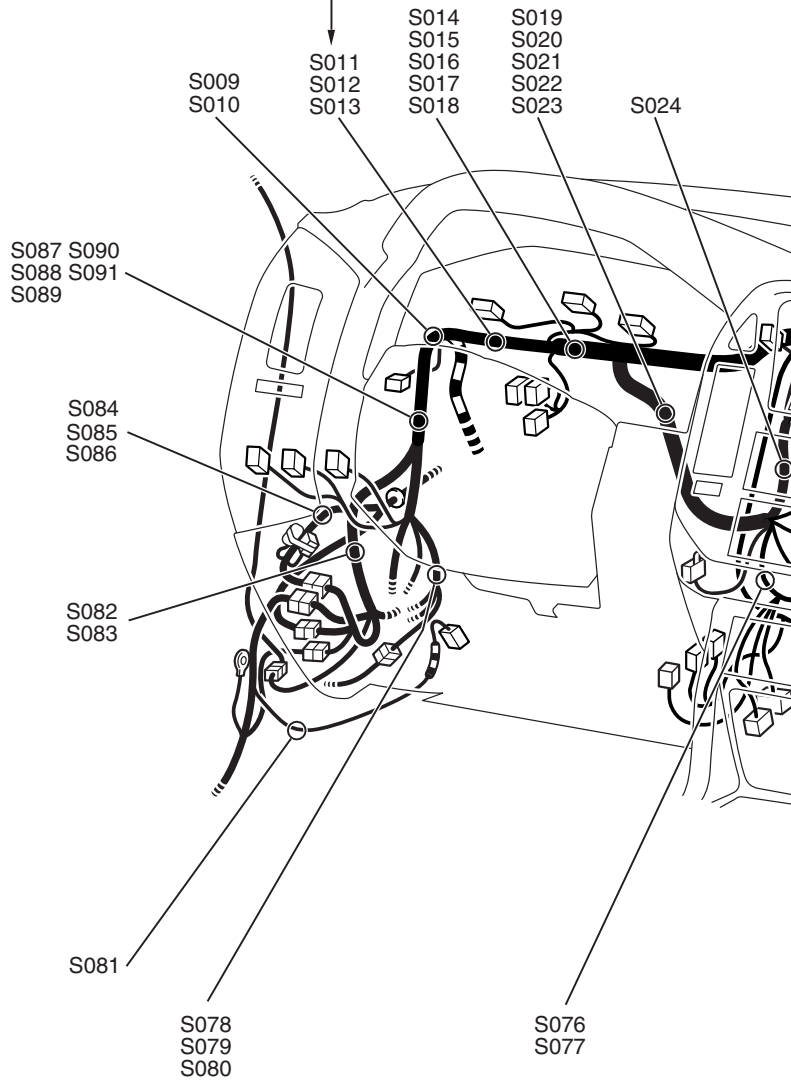
# HOW TO READ SPLICE LOCATIONS

"Splice locations" describes splice points of each wiring harness on an actual vehicle. Some variations are included in one splice location. Accordingly, some locations may not be applicable for individual vehicles.

Indicates a splice point number.  
The splice point numbers are identical to those in "CIRCUIT DIAGRAMS," making them easy to use.  
In addition, the splice point numbers are usually numbered clockwise.

Example: S 013

- Sequential number
- Prefix meaning splice point



# INDEX

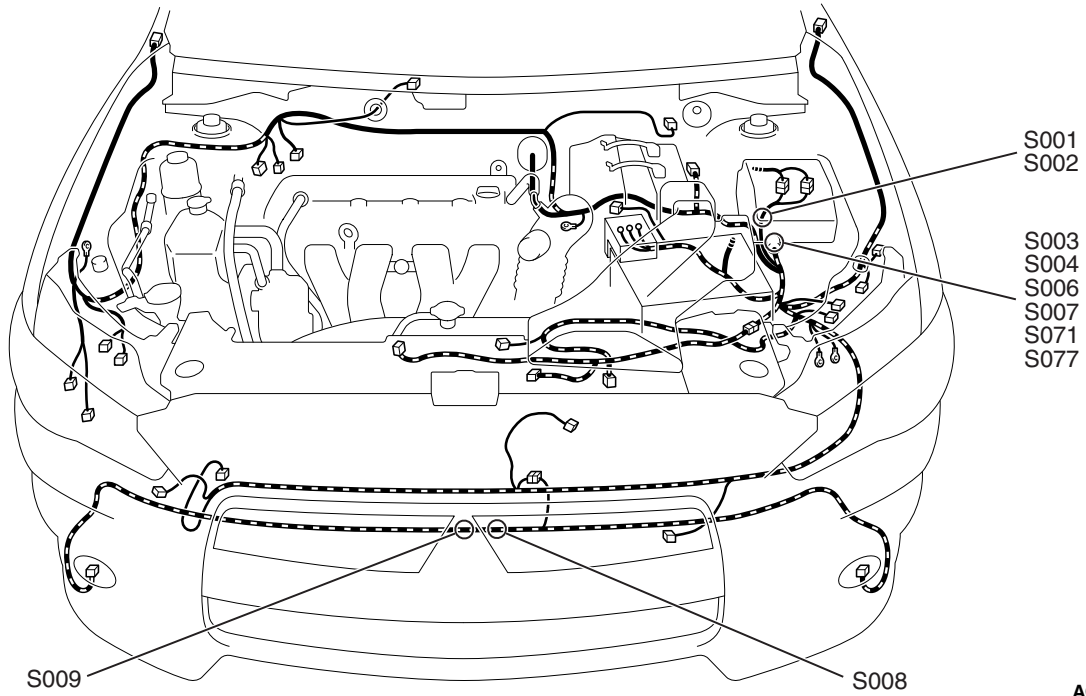
M1802000901486

This index shows the page numbers where the splice locations are.

Splice location NO.	Page	Splice location NO.	Page	Splice location NO.	Page	Splice location NO.	Page
S001	P.80B-4P. 80B-4	S002	P.80B-4P. 80B-4	S003	P.80B-4	S004	P.80B-4
S006	P.80B-4	S007	P.80B-4	S008	P.80B-4P. 80B-4	S009	P.80B-4P. 80B-4
S010	P.80B-5	S011	P.80B-5	S012	P.80B-5	S013	P.80B-5
S014	P.80B-5	S015	P.80B-5	S016	P.80B-5	S017	P.80B-5
S018	P.80B-5	S019	P.80B-6	S020	P.80B-6	S021	P.80B-6
S022	P.80B-6	S025	P.80B-6	S027	P.80B-6	S028	P.80B-6
S029	P.80B-6	S030	P.80B-6	S031	P.80B-6	S032	P.80B-6
S033	P.80B-6	S039	P.80B-6	S040	P.80B-6	S041	P.80B-6
S042	P.80B-6	S043	P.80B-6	S044	P.80B-6	S045	P.80B-6
S046	P.80B-6	S047	P.80B-6	S048	P.80B-6	S049	P.80B-7
S050	P.80B-7	S051	P.80B-7	S052	P.80B-7	S053	P.80B-7
S055	P.80B-7	S056	P.80B-7	S057	P.80B-7	S058	P.80B-7
S059	P.80B-7	S060	P.80B-8	S063	P.80B-8	S064	P.80B-8
S065	P.80B-8	S066	P.80B-8	S067	P.80B-6	S068	P.80B-4
S069	P.80B-4	S070	P.80B-4	S071	P.80B-4P. 80B-4	S072	P.80B-6
S073	P.80B-6	S074	P.80B-6	S075	P.80B-6	S076	P.80B-6
S077	P.80B-4	S078	P.80B-5	S079	P.80B-5	S080	P.80B-5
S081	P.80B-5	S082	P.80B-5	S083	P.80B-5	S084	P.80B-6
S085	P.80B-7	S088	P.80B-6	S089	P.80B-6	S090	P.80B-6
S091	P.80B-6	S092	P.80B-7	S093	P.80B-6	S094	P.80B-6
S095	P.80B-8	S096	P.80B-7				

# ENGINE COMPARTMENT <NON-TURBO>

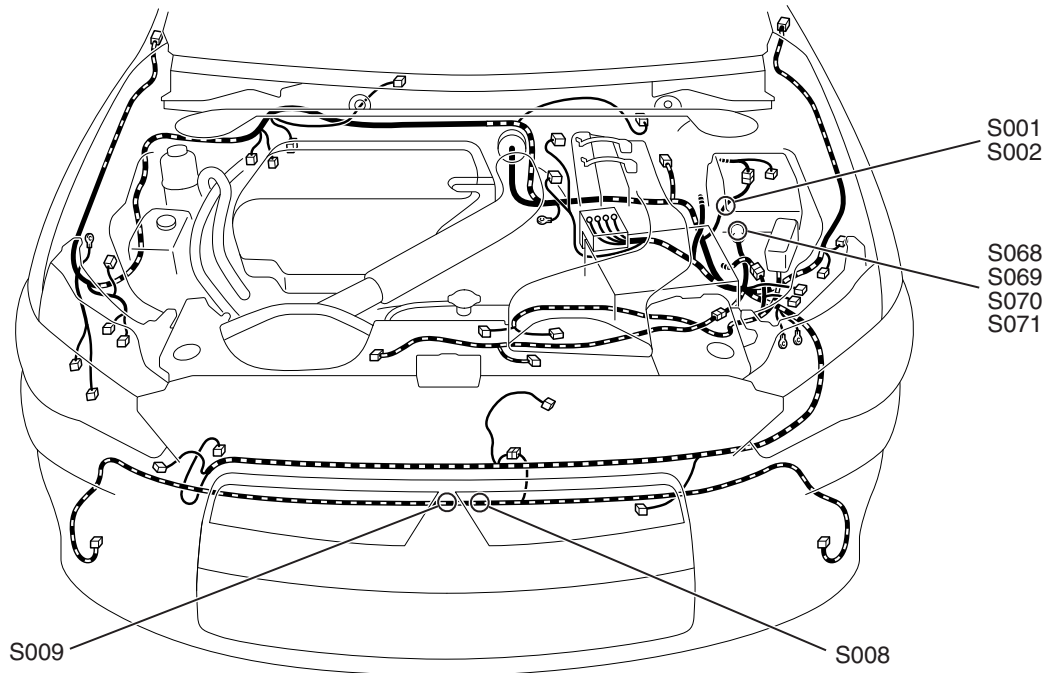
M1802000201078



AC901344AB

# ENGINE COMPARTMENT <TURBO>

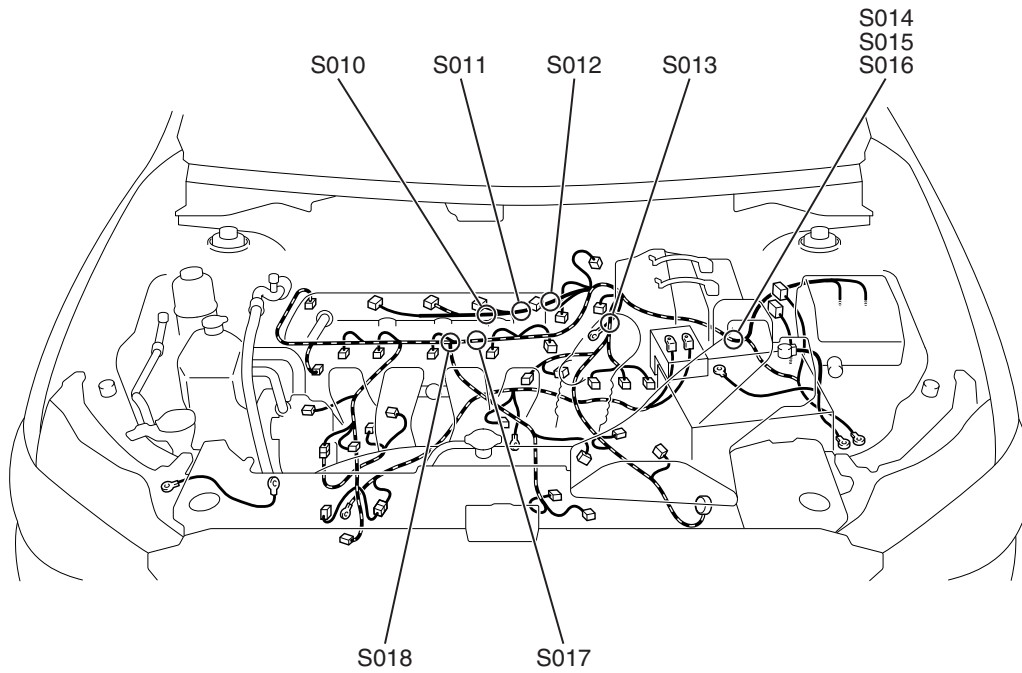
M1802000201089



AC901345AB

# ENGINE AND TRANSAXLE <NON-TURBO>

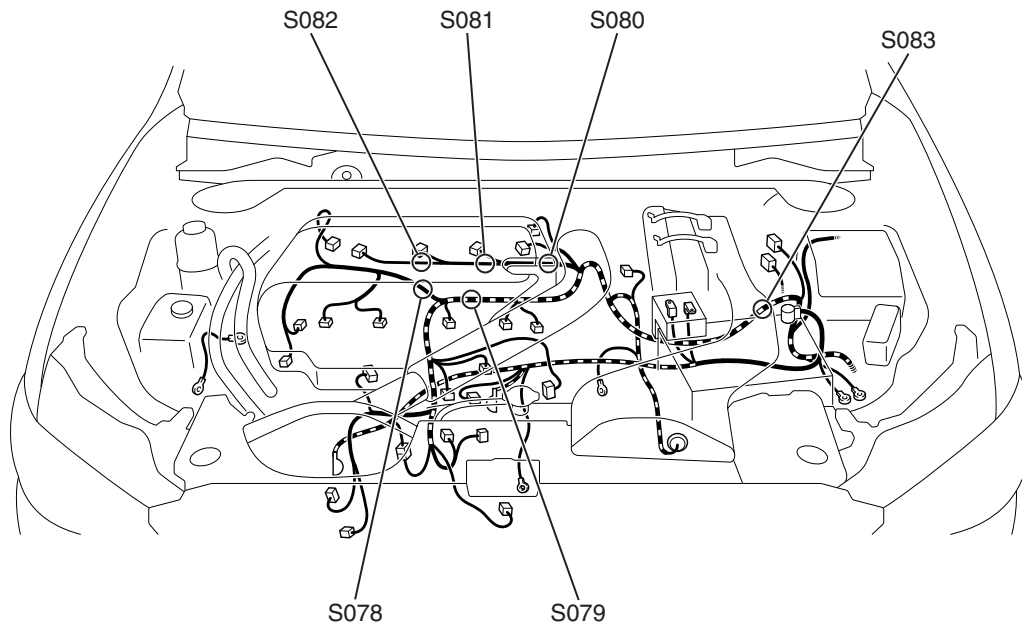
M1802001401075



AC807037AB

# ENGINE AND TRANSAXLE <TURBO>

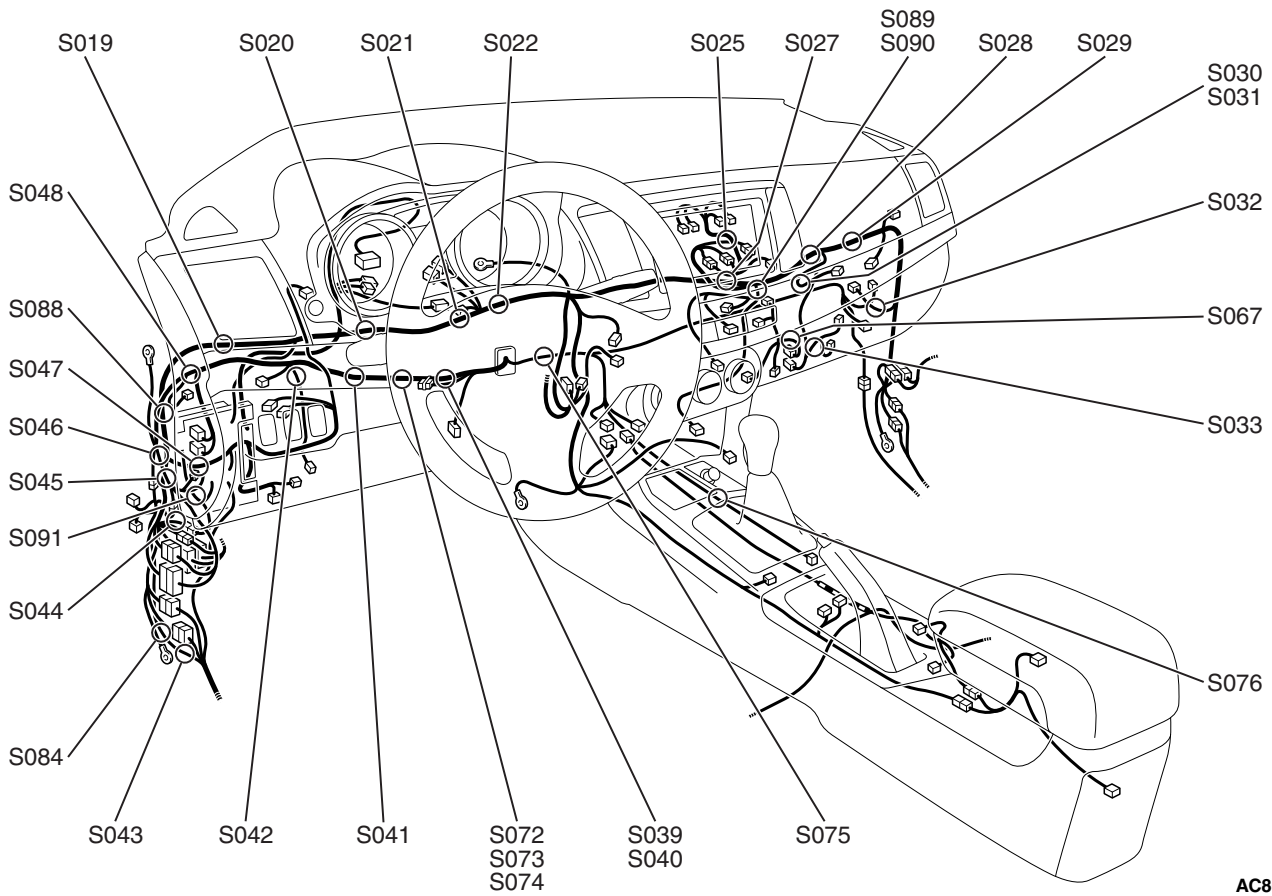
M1802001401020



AC802839AB

# DASH PANEL

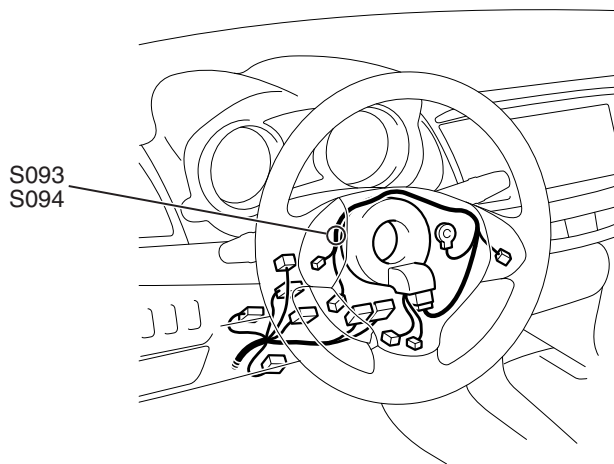
M1802000301309



AC807034AC

# STEERING COLUMN

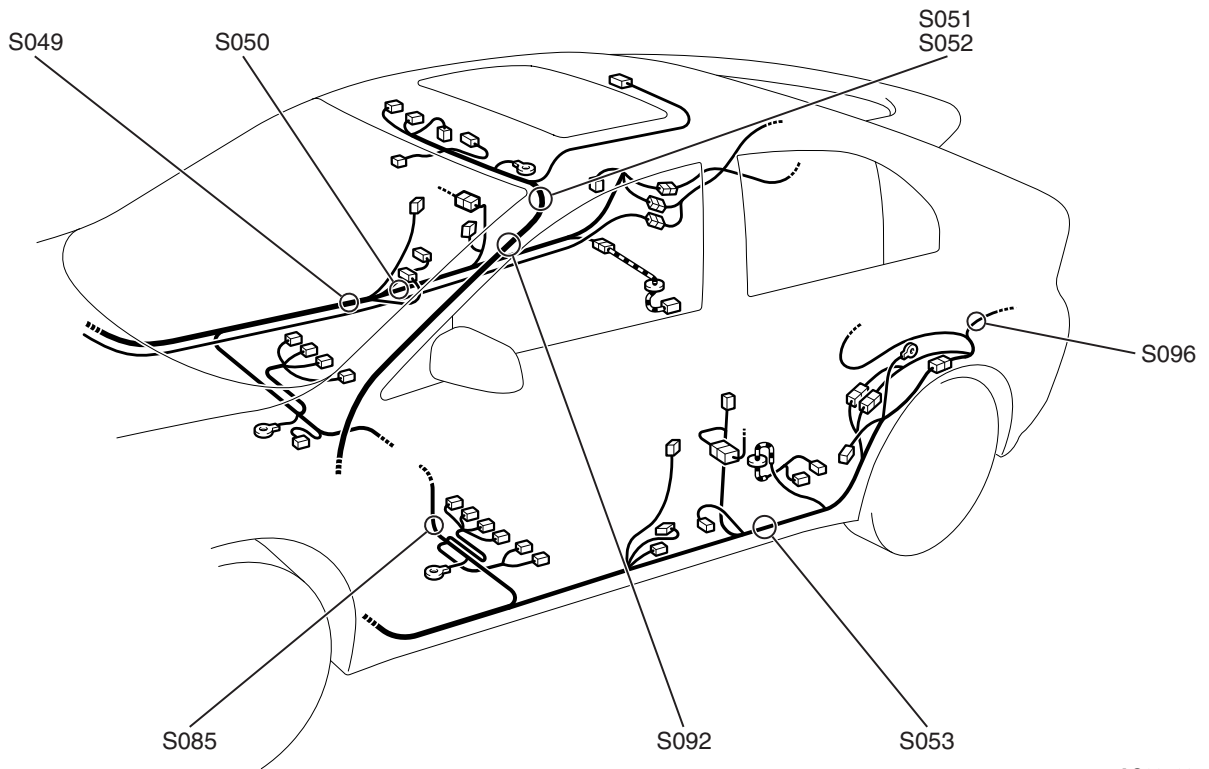
M1801003100029



AC802841AB

FLOOR AND ROOF

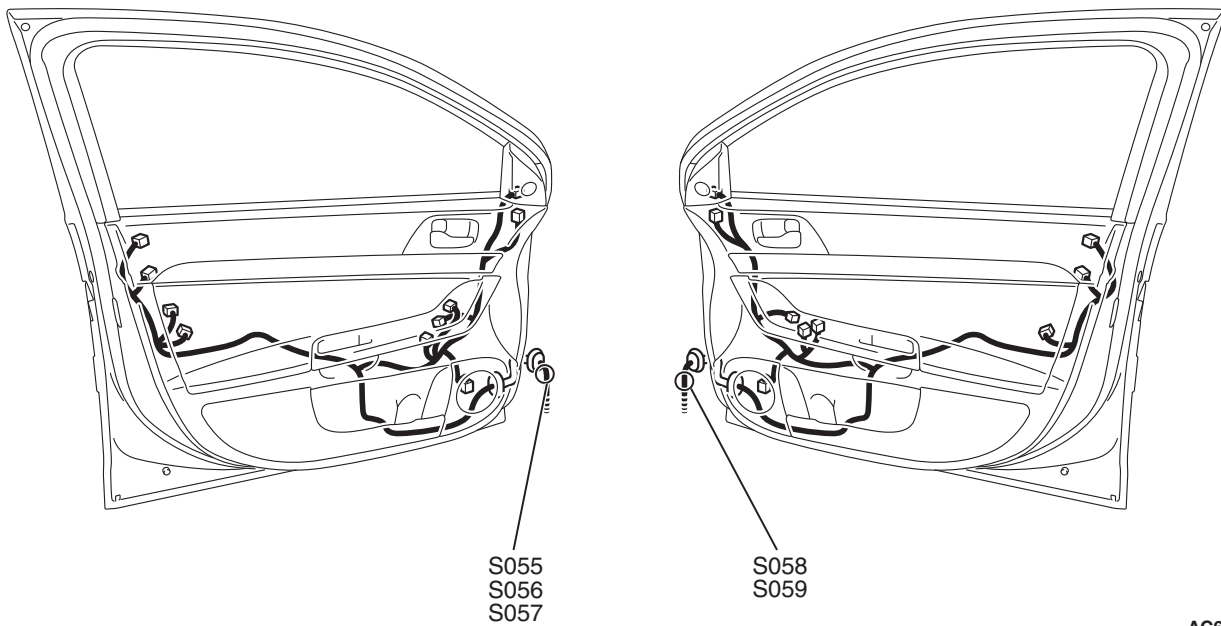
M1802001201059



AC807035AC

DOOR

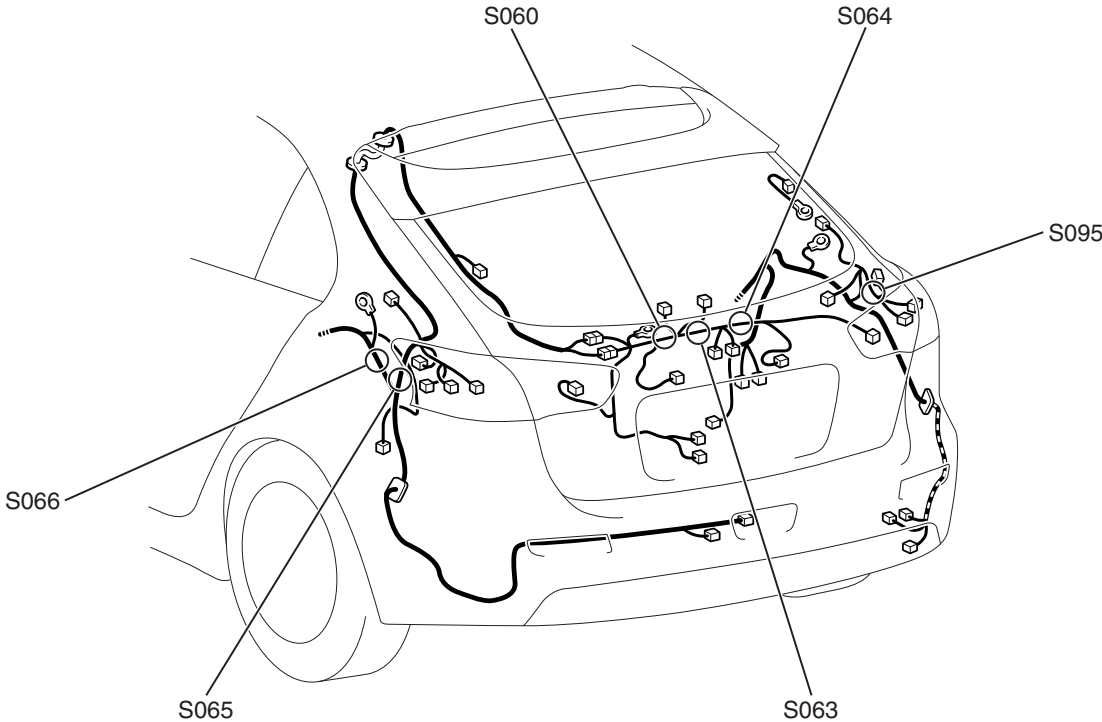
M1802000800710



AC607912AB

LIFTGATE

M1802001300376



AC807036AB