

GROUP 52A

INTERIOR

CONTENTS

SERVICE SPECIFICATIONS	52A-2	LIFTGATE TRIM	52A-17
SPECIAL TOOL	52A-2	REMOVAL AND INSTALLATION	52A-17
INSTRUMENT PANEL ASSEMBLY*	52A-3	HEADLINING	52A-18
REMOVAL AND INSTALLATION	52A-3	REMOVAL AND INSTALLATION	52A-18
GLOVE BOX	52A-6	INTERIOR MIRROR	52A-19
REMOVAL AND INSTALLATION	52A-6	SEAT ASSEMBLY*	52A-20
INSTRUMENT CENTER PANEL	52A-7	FRONT SEAT ASSEMBLY	52A-20
REMOVAL AND INSTALLATION	52A-7	REMOVAL AND INSTALLATION	52A-20
INSTRUMENT LOWER PANEL	52A-8	INSPECTION	52A-22
REMOVAL AND INSTALLATION	52A-8	DISASSEMBLY AND REASSEMBLY	52A-24
FLOOR CONSOLE ASSEMBLY	52A-9	REAR SEAT ASSEMBLY	52A-28
REMOVAL AND INSTALLATION	52A-9	REMOVAL AND INSTALLATION	52A-28
TRIMS	52A-11	DISASSEMBLY AND REASSEMBLY	52A-30
INTERIOR TRIM	52A-11	SEAT BELT*	52A-33
REMOVAL AND INSTALLATION	52A-11	FRONT SEAT BELT	52A-33
DOOR TRIM	52A-15	REMOVAL AND INSTALLATION	52A-33
REMOVAL AND INSTALLATION	52A-15	INSPECTION	52A-34
		REAR SEAT BELT	52A-36
		REMOVAL AND INSTALLATION	52A-36

WARNINGS REGARDING SERVICING OF SUPPLEMENTAL RESTRAINT SYSTEM (SRS) EQUIPPED VEHICLES

WARNING

- *Improper service or maintenance of any component of the SRS, or any SRS-related component, can lead to personal injury or death to service personnel (from inadvertent firing of the air bag) or to the driver and passenger (from rendering the SRS inoperative).*
- *Service or maintenance of any SRS component or SRS-related component must be performed only at an authorized MITSUBISHI dealer.*
- *MITSUBISHI dealer personnel must thoroughly review this manual, and especially its GROUP 52B - Supplemental Restraint System (SRS) before beginning any service or maintenance of any component of the SRS or any SRS-related component.*

NOTE

The SRS includes the following components: SRS air bag control unit, SRS warning light, front impact sensors, air bag module, side-airbag module, curtain air bag module, side impact sensors, seat belt pre-tensioners, clock spring, and interconnecting wiring. Other SRS-related components (that may have to be removed/installed in connection with SRS service or maintenance) are indicated in the table of contents by an asterisk (*).

SERVICE SPECIFICATIONS

M1521000300285

SEAT CUSHION HEATER

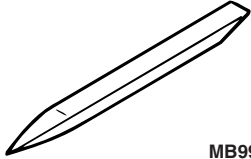
Item	Measured terminal	Standard value
Seat cushion heater (At room temperature 20° C)	Heated seat assembly terminals 1 – seat back heater terminal 1	4.83 - 5.85 Ω <Sport seat>
		3.84 - 4.69 Ω <RECARO seat>
	Heated seat assembly terminals 2 – seat back heater terminal 1	0.15 - 0.19 Ω <Sport seat>
		0.14 - 0.18 Ω <RECARO seat>

SEATBACK HEATER

Item	Measured terminal	Standard value
Seatback heater (At room temperature 20° C)	1 -2	4.06 - 4.96 Ω <Sport seat>
		5.40 - 6.60 Ω <RECARO seat>

SPECIAL TOOL

M1521000600480

Tool	Tool number and name	Supersession	Application
 MB990784	MB990784	Ornament remover	Removal of switches and trims

INSTRUMENT PANEL ASSEMBLY


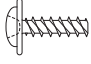
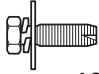
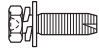
REMOVAL AND INSTALLATION

M1521001701977

⚠ WARNING

For removal and installation of the passenger's side air bag module, always observe the service procedures described in GROUP 52B, Driver's Air Bag Module P.52B-414 <GTS>P.52B-422 <RALLIART> to Passenger's (Front) Air Bag Module P.52B-429.

The following bolts and screws are used for installing the instrument panel. Bolts and screws are indicated as marks shown in the illustration in the sections of "Removal and Installation" and "Disassembly and Assembly."

Name	Symbol	Size (D × L) mm	Color	Shape
Tapping screw	a	5 × 12	–	 AC104450
	b	5 × 16	–	
	c	5 × 12	–	 AC104436
Bolt with washer	d	5 × 20	–	 AC104417
	e	6 × 16	–	 AC104429

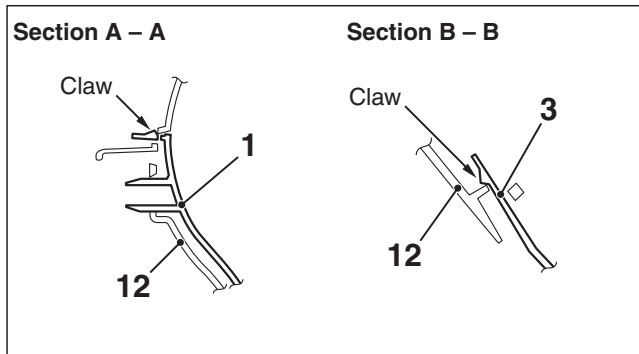
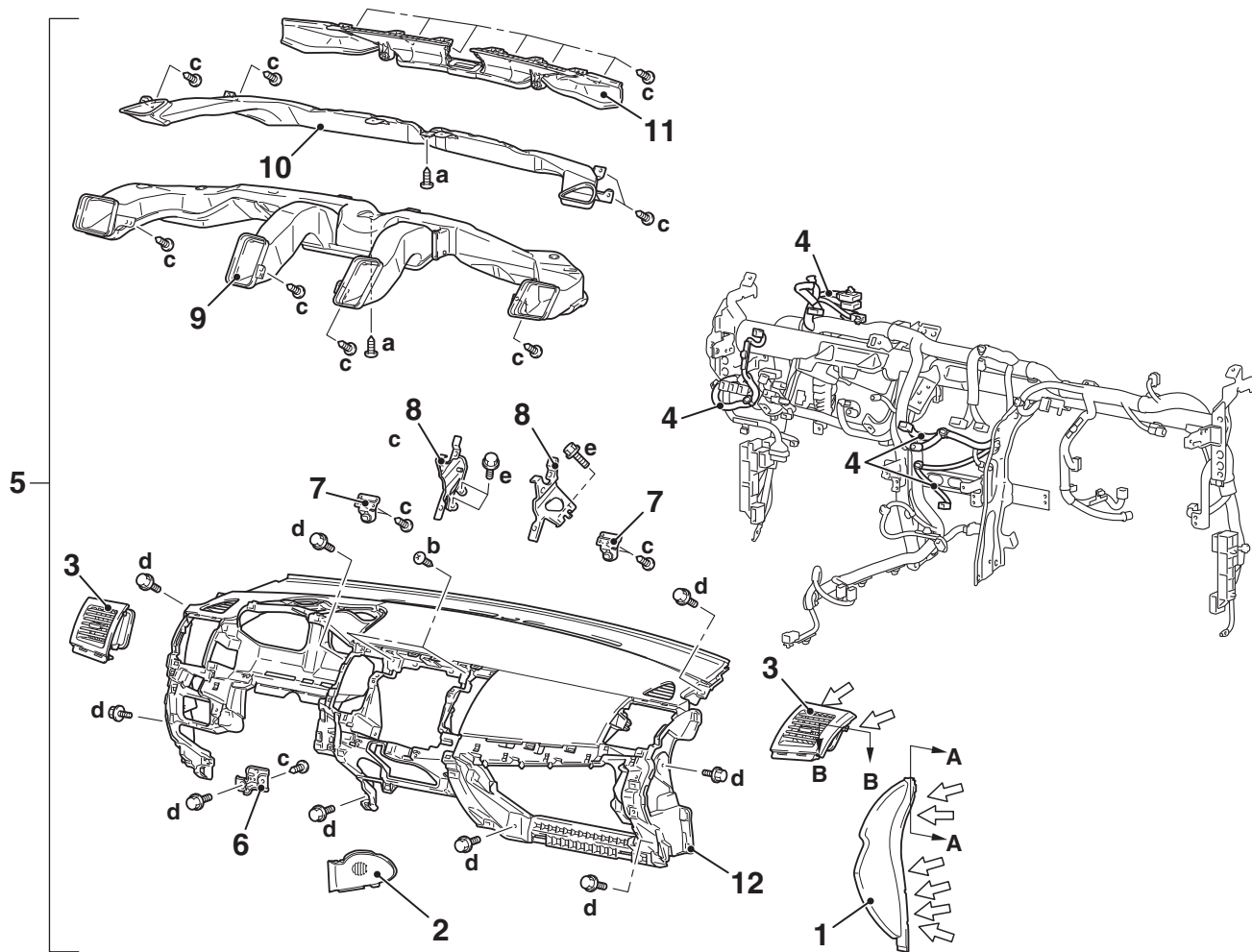
D: Thread diameter, L: Effective thread length

⚠ CAUTION

- Refer to GROUP 52B-SRS Service Precautions [P.52B-26](#) and Air bag Module and Clock Spring [P.52B-429](#) before removing the passenger side air bag module.
- Do not subject the SRS-ECU to any shocks when removing or installing the instrument panel.

Pre-removal and Post-installation Operation

- Removal and Installation of Front Pillar Trim (Refer to [P.52A-11](#)).
- Removal and Installation of Instrument Under Cover (Refer to [P.52A-11](#)).
- Removal and Installation of Glove Box (Refer to [P.52A-11](#)).
- Removal and Installation of Instrument Cover Lower, Air Outlet Garnish (Refer to [P.52A-11](#)).
- Removal and Installation of Radio and CD player bracket (Refer to GROUP 54A, Radio And CD Player [P.54A-413](#)).
- Removal and Installation of Steering shaft (Refer to GROUP 37, Steering Column Shaft [P.37-36](#)).



Note
←: Claw positions

AC807428AB

Removal steps

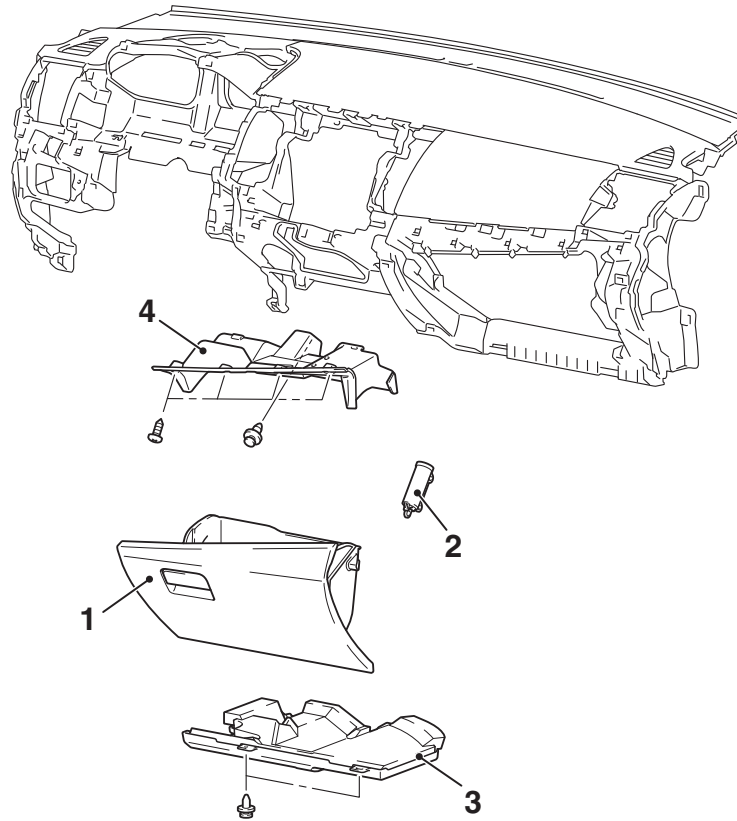
1. Instrument panel side cover
- Combination meter (Refer to GROUP 54A, Combination Meter P.54A-124).
2. Instrument panel console cover
3. Instrument panel side air outlet
4. Instrument panel harness clamp
5. Instrument panel assembly
- Passenger's (front) air bag module (Refer to GROUP 52B, Air Bag Module(s) and Clock Spring P.52B-429).

Removal steps (Continued)

6. Instrument panel side bracket lower
7. Instrument panel holder
8. Instrument panel reinforcement center
9. Ventilator air distribution duct
10. Side defroster duct
11. Defroster nozzle
12. Instrument panel

GLOVE BOX**REMOVAL AND INSTALLATION**

M1521011500108

**Removal steps**

1. Glove box
2. Glove box damper

AC708412AB

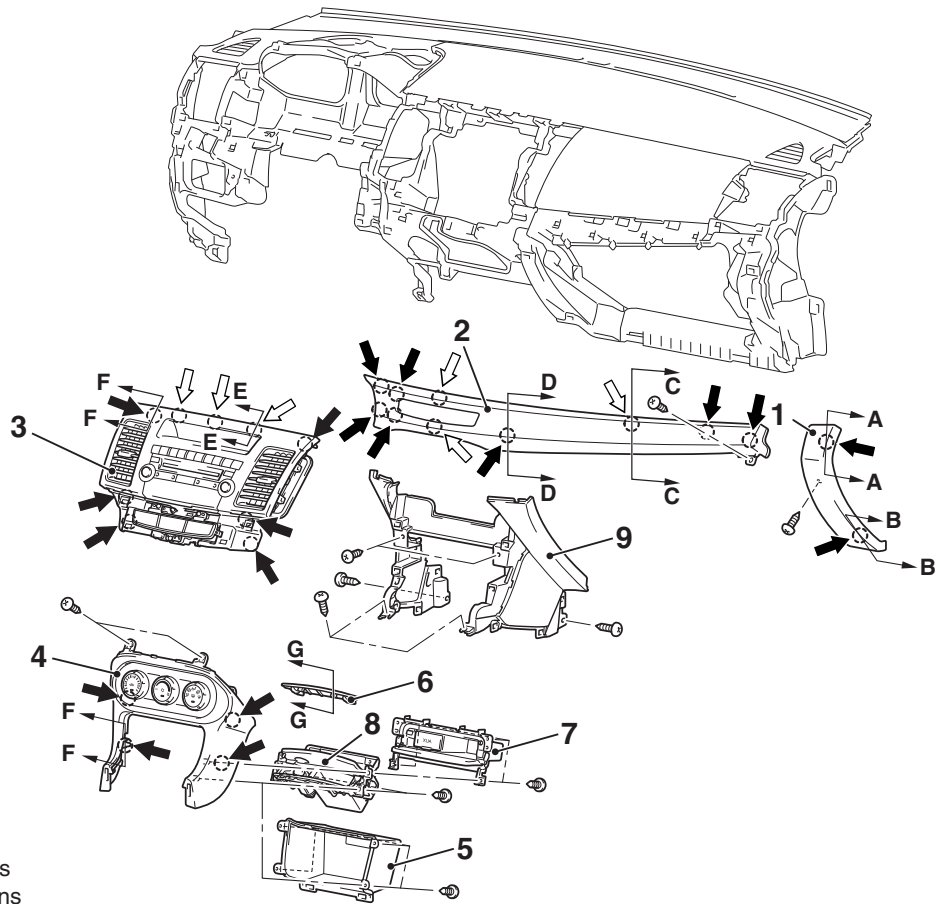
Removal steps (Continued)

3. Bottom cover (passenger side)
4. Glove box upper cover

INSTRUMENT CENTER PANEL

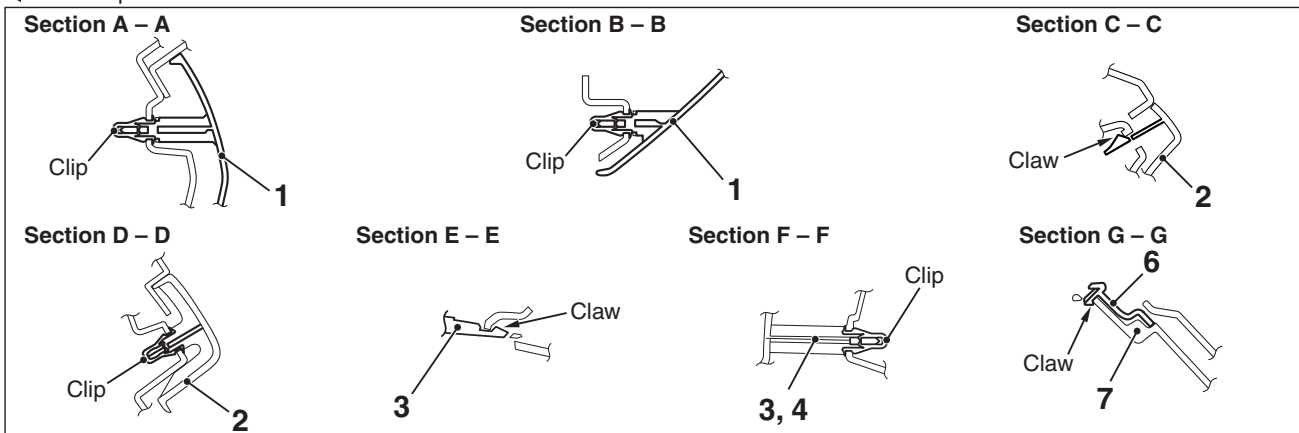
REMOVAL AND INSTALLATION

M1521011300427



Note

- ◄ : Clip positions
- ◄◄ : Claw positions



AC901811AB

Removal steps

1. Instrument panel parcel box panel
2. Instrument panel air outlet garnish lower (RH)
3. Instrument center panel
- Floor console side cover (Refer to [P.52A-9](#)).
4. Instrument panel center lower

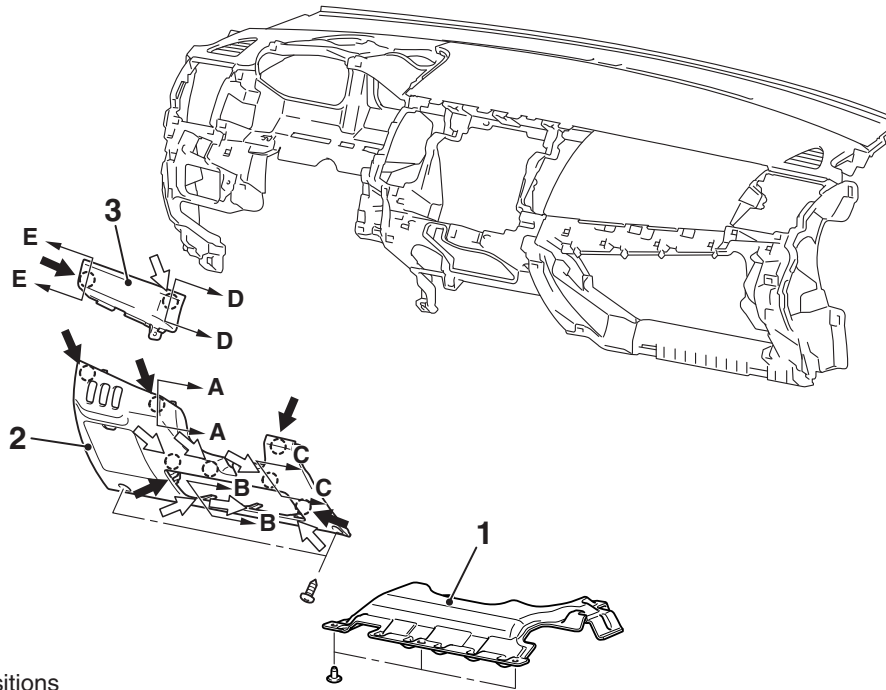
Removal steps (Continued)

5. Instrument panel console box <Vehicles with instrument panel console box>
6. Instrument panel console plug <Vehicles with extra box>
7. Tray <Vehicles with extra box>
8. Extra box <Vehicles with extra box>
- Instrument panel cover assembly (Refer to [P.52A-8](#)).
9. Instrument panel under cover

INSTRUMENT LOWER PANEL

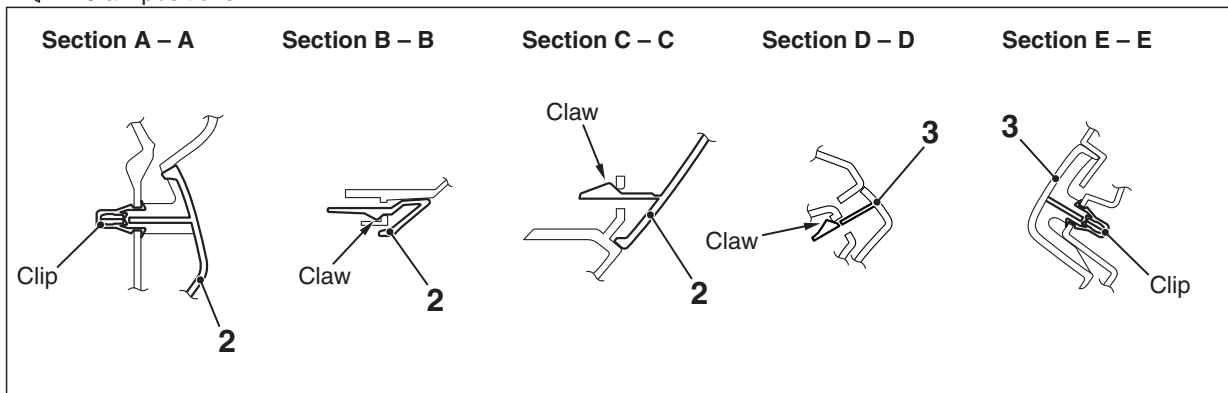
REMOVAL AND INSTALLATION

M1521011700135



Note

- ➔ : Clip positions
- ⬅ : Claw positions



AC802309AB

Removal steps

1. Instrument panel cover lower
<Vehicles with instrument panel cover lower>

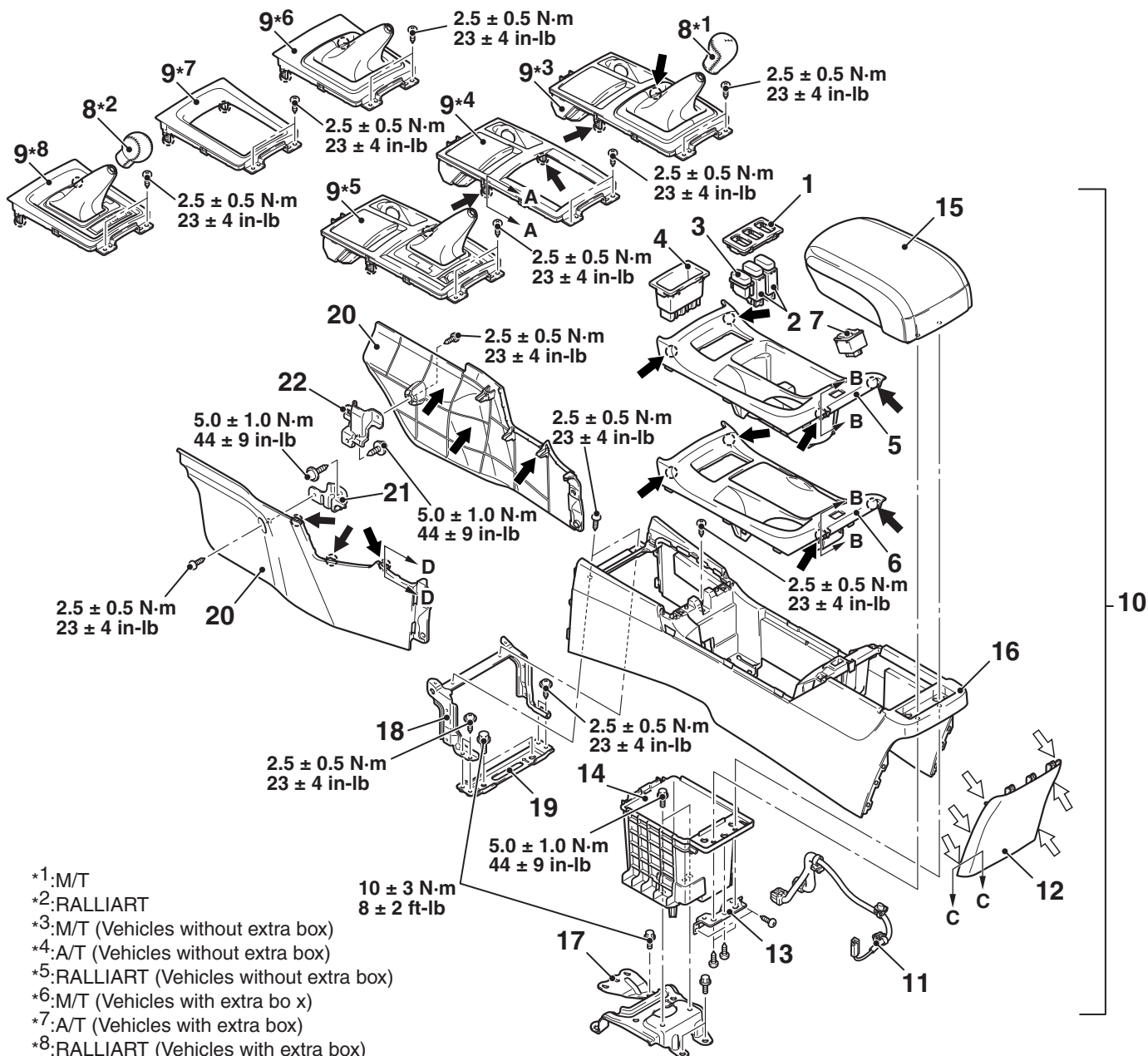
Removal steps (Continued)

2. Instrument panel lower
3. Instrument panel air outlet garnish lower (LH)

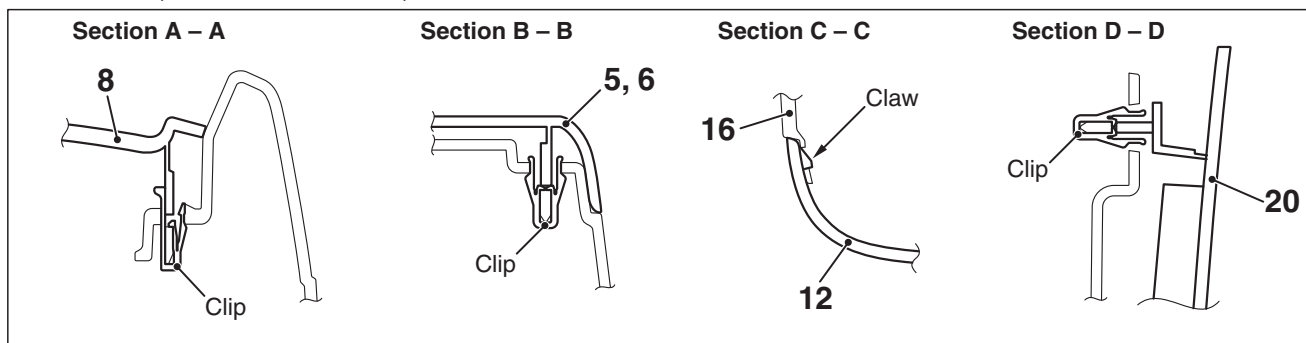
FLOOR CONSOLE ASSEMBLY

REMOVAL AND INSTALLATION

M1521002201254



- *1: M/T
- *2: RALLIART
- *3: M/T (Vehicles without extra box)
- *4: A/T (Vehicles without extra box)
- *5: RALLIART (Vehicles without extra box)
- *6: M/T (Vehicles with extra box)
- *7: A/T (Vehicles with extra box)
- *8: RALLIART (Vehicles with extra box)



AC901812AB

Removal steps

1. Floor console switch panel
2. Floor console plug

Removal steps (Continued)

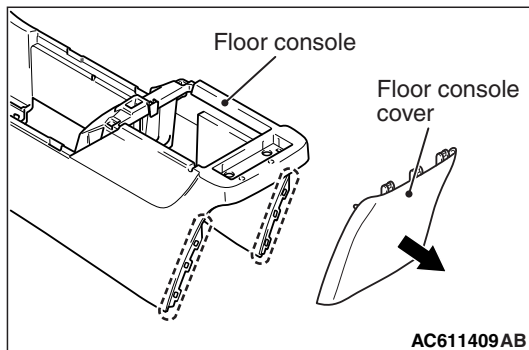
3. AFS control switch <Vehicles with AFS control switch>

Removal steps (Continued)

4. Floor console tray
5. Floor console box cup holder
<Vehicles without cup holder lid>
6. Floor console box cup holder
<Vehicles with cup holder lid>
7. Heated seat switch <Vehicles with heated seat>
8. Shift knob
9. Floor console panel assembly
10. Floor console assembly
11. Floor console harness
12. Floor console cover
13. Rear console bracket
14. Floor console box
15. Floor console armrest
- >>A<< 16. Floor console
17. Floor console bracket rear
18. Floor console bracket (A)
19. Floor console bracket (B)
20. Floor console side cover
21. Floor console front bracket (LH)
22. Floor console front bracket (RH)

REASSEMBLY SERVICE POINT**>>A<< FLOOR CONSOLE REASSEMBLY**

Floor console rear ends (shown in the dotted lines) may damage when removing the floor console cover. You can neglect this damage and floor console is reusable.

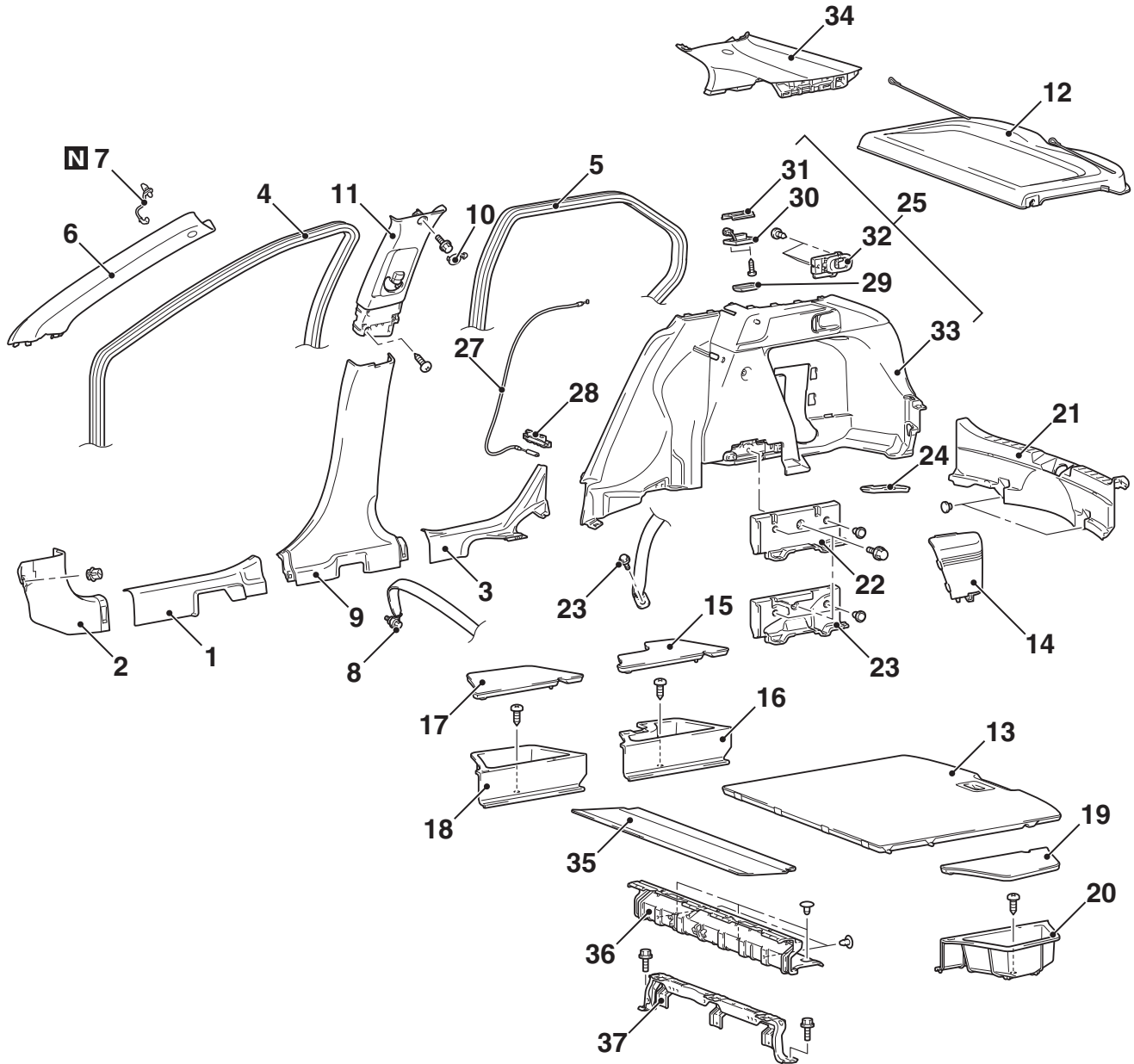


TRIMS

INTERIOR TRIM

REMOVAL AND INSTALLATION

M1521001101607



AC802434AB

Cowl side trim removal steps

1. Front scuff plate
2. Cowl side trim

Rear scuff plate removal steps

- Rear seat cushion (Refer to [P.52A-28](#)).

3. Rear scuff plate

Front pillar trim removal steps

4. Front door opening trim
6. Front pillar trim
7. Garnish clip

Upper center pillar trim removal steps

- Rear seat cushion (Refer to [P.52A-28](#)).
3. Rear scuff plate
 4. Front door opening trim
 5. Rear door opening trim
 8. Outer seatbelt lower anchor bolt
 9. Lower center pillar trim
 10. Upper center pillar trim cap
 11. Upper center pillar trim

<<A>>

<>

Rear shelf trim removal steps

12. Rear shelf trim

Cargo floor box (LH/RH) removal steps

13. Cargo floor board (rear) <GTS with spare wheel (aluminum type)>
14. Quarter trim plug <RALLIART>
15. Cargo floor box lid (RH) <RALLIART>
16. Cargo floor box (RH) <RALLIART>
17. Cargo floor box lid (RH) <GTS>
18. Cargo floor box (RH) <GTS>
19. Cargo floor box lid (LH) <Vehicles without rear speaker box assembly>
20. Cargo floor box (RH) <Vehicles without rear speaker box assembly>

Quarter trim removal steps

- Rear seat cushion (Refer to [P.52A-28](#)).
3. Rear scuff plate
 5. Rear door opening trim
 12. Rear shelf trim
 13. Cargo floor board (rear) <GTS with spare wheel (aluminum type)>
 14. Quarter trim plug <RALLIART>
 15. Cargo floor box lid (RH) <RALLIART>
 16. Cargo floor box (RH) <RALLIART>
 17. Cargo floor box lid (RH) <GTS>
 18. Cargo floor box (RH) <GTS>
 19. Cargo floor box lid (LH) <Vehicles without rear speaker box assembly>
 20. Cargo floor box (RH) <Vehicles without rear speaker box assembly>
 21. Trunk room rear end trim
 22. Flexible floor plug
 23. Flexible floor guide
 24. Rear seatbelt outer lower anchor bolt (Refer to [P.52A-36](#)).
 25. Rear combination lamp lid
 26. Quarter trim assembly
 27. Rear seat folding cable
 28. Rear seat folding knob guide
 29. Cargo room lamp lens
 30. Cargo room lamp
 31. Cargo room lamp bracket

Quarter trim removal steps

32. Rear seat folding knob
33. Quarter trim

Rear pillar trim removal steps

- Rear seat cushion (Refer to [P.52A-28](#)).
3. Rear scuff plate
 5. Rear door opening trim
 12. Rear shelf trim
 13. Cargo floor board (rear) <GTS with spare wheel (aluminum type)>
 14. Quarter trim plug <RALLIART>
 15. Cargo floor box lid (RH) <RALLIART>
 16. Cargo floor box (RH) <RALLIART>
 17. Cargo floor box lid (RH) <GTS>
 18. Cargo floor box (RH) <GTS>
 19. Cargo floor box lid (LH) <Vehicles without rear speaker box assembly>
 20. Cargo floor box (LH) <Vehicles without rear speaker box assembly>
 21. Trunk room rear end trim
 - Liftgate opening weatherstrip (Refer to GROUP 42A –Liftgate [P.42A-168](#)).
 22. Flexible floor plug
 23. Flexible floor guide
 24. Rear seatbelt outer lower anchor bolt (Refer to [P.52A-36](#)).
 26. Quarter trim assembly
 34. Rear pillar trim

Floor carpet reinforcement rear removal steps

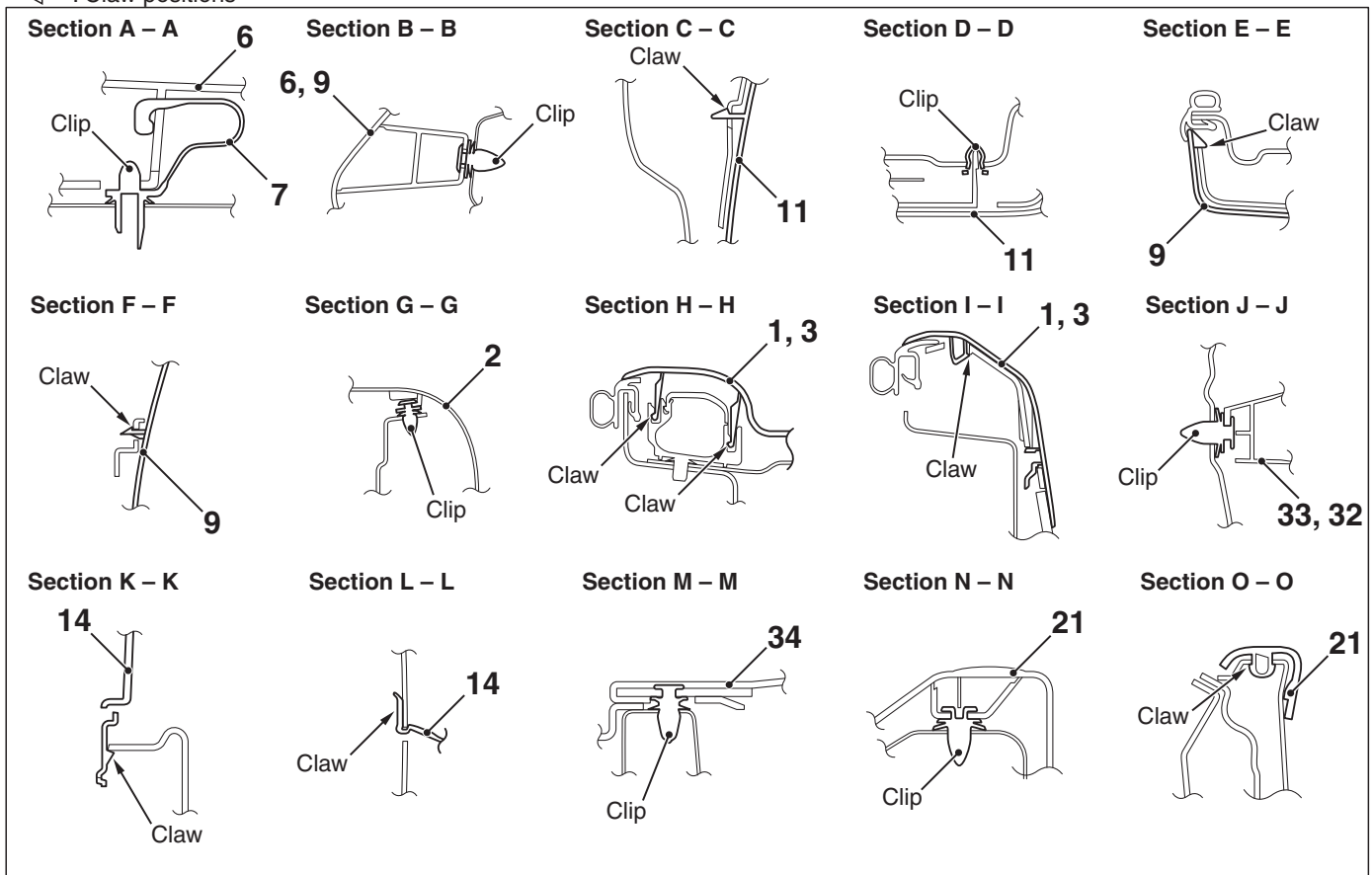
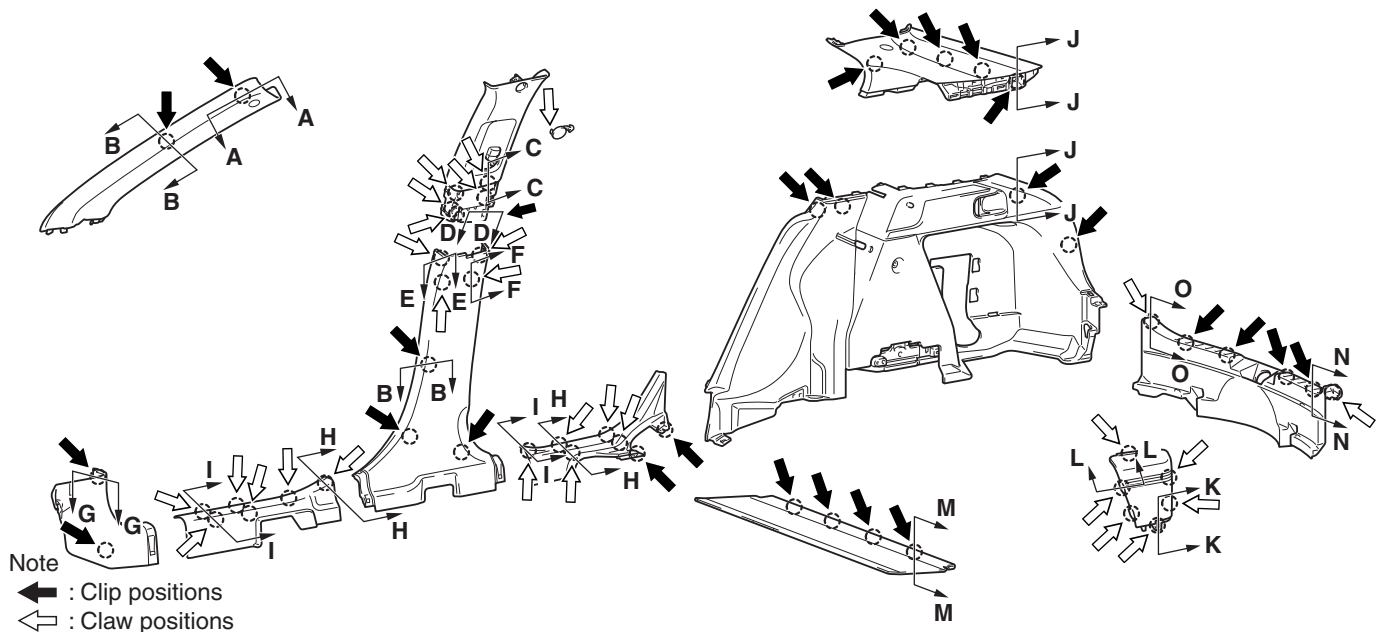
13. Cargo floor board (rear) <GTS with spare wheel (aluminum type)>
35. Cargo floor board (front)
 - Inside transmission antenna assembly (rear) (Refer to GROUP 42B –Outside transmission antenna assembly, inside transmission antenna assembly, receiver antenna module [P.42B-213](#)).
36. Rear partition board opening trim
37. Floor carpet reinforcement rear

Required Special Tool:

- MB990784: Ornament Remover

<<C>>

CLIP AND CLAW POSITIONS

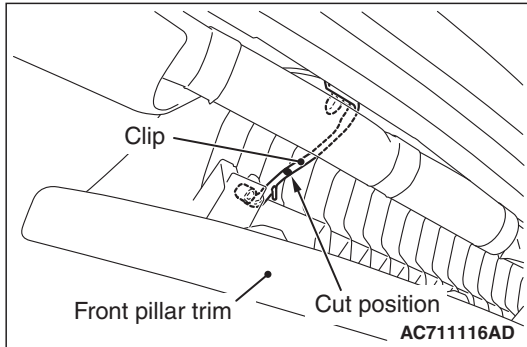


AC805605AB

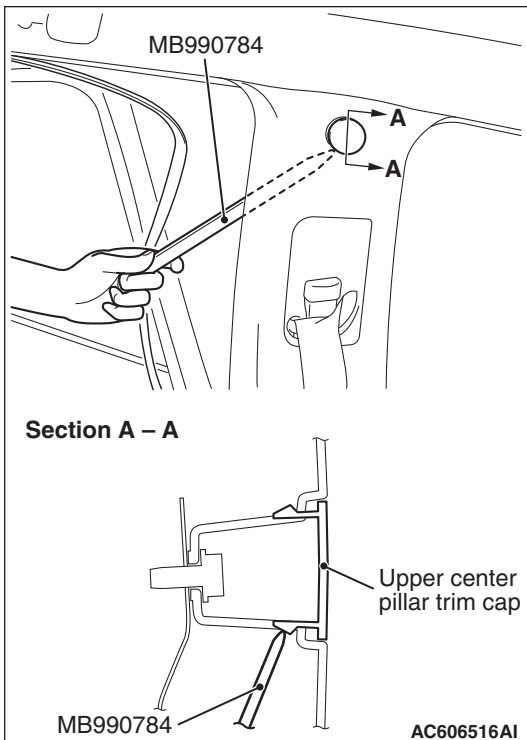
NOTE: Each number in the illustration indicates a part number.

REMOVAL SERVICE POINTS**<<A>>FRONT PILLAR TRIM REMOVAL**

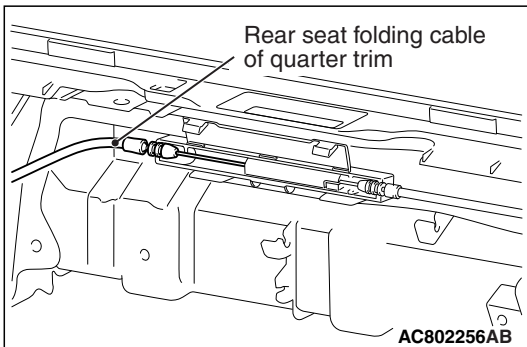
1. Pull down the front or rear pillar trim as shown in the figure.
2. Cut the clip at the cutting position shown in the figure, taking care not to damage the other components.
3. Remove the clip remaining on the front or rear pillar trim, taking care not to scratch the trim.
4. Remove the clip remaining on the vehicle side by breaking it to prevent damage to the flange of the clip mounting hole.

**<> UPPER CENTER PILLAR TRIM CAP REMOVAL**

Remove the opening trim. Remove the trim cap by inserting the special tool ornament remover (MB990784) between the trim and body as shown in the illustration.

**<<C>> REAR SEAT FOLDING CABLE REMOVAL**

Among the three fixed positions, securely fit the rear seat folding cable in the center position.



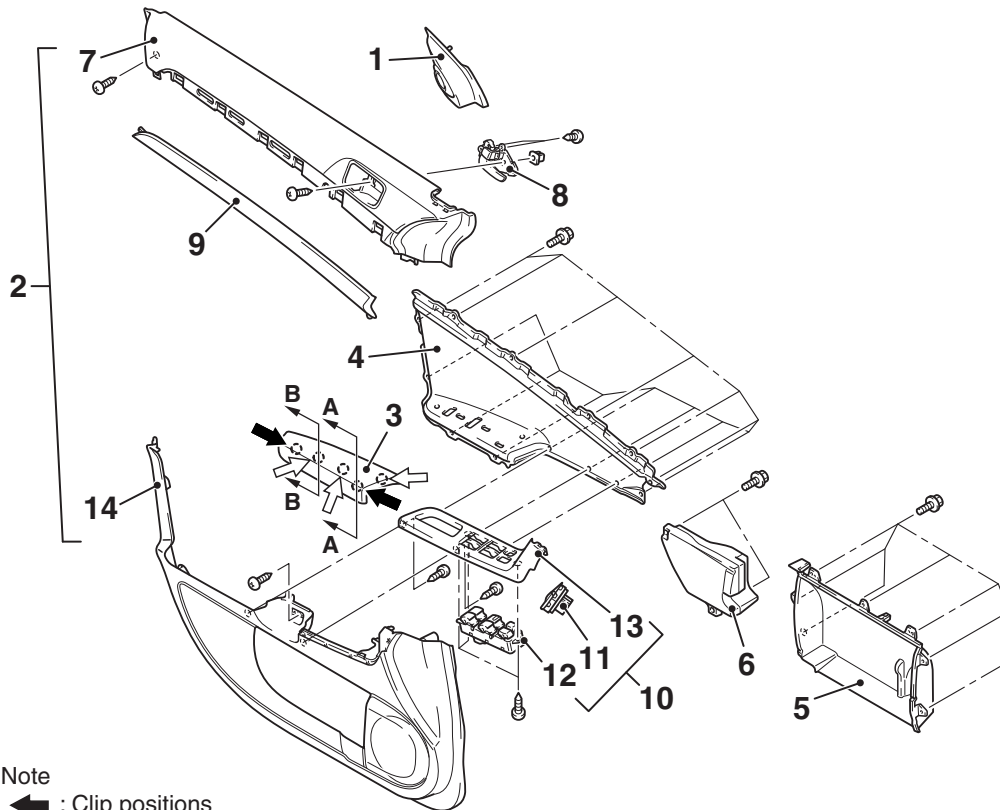
DOOR TRIM
REMOVAL AND INSTALLATION

M1521006401067

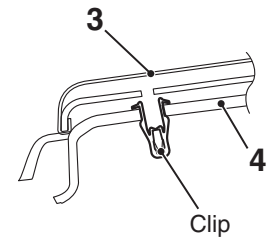
Post-installation Operation

- Door Inside Handle Knob Play Check (Refer to GROUP 42A, Door Inside Handle Check P.42A-127).

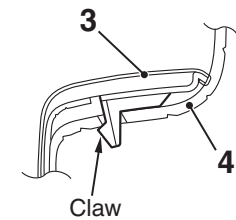
<Front door trim>



Section A - A

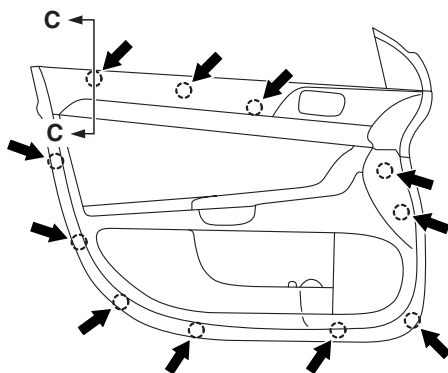


Section B - B

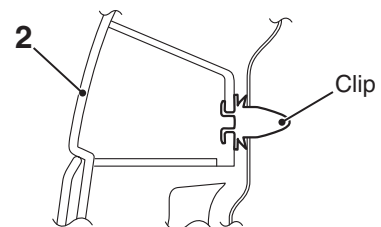


Note

- ➔ : Clip positions
- ↔ : Claw positions



Section C - C



AC901866AB

Removal steps

1. Front door sash trim
2. Front door trim assembly
3. Front door armrest <Vehicles for leather interior>
4. Front door ornament
5. Front door pocket

Removal steps (Continued)

6. Front lower pad energy absorption
7. Front door trim upper
8. Door inside handle
9. Decoration panel
10. Front door power window switch panel assembly

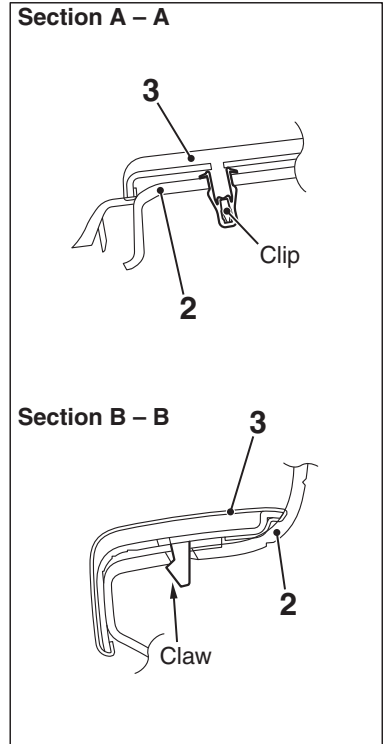
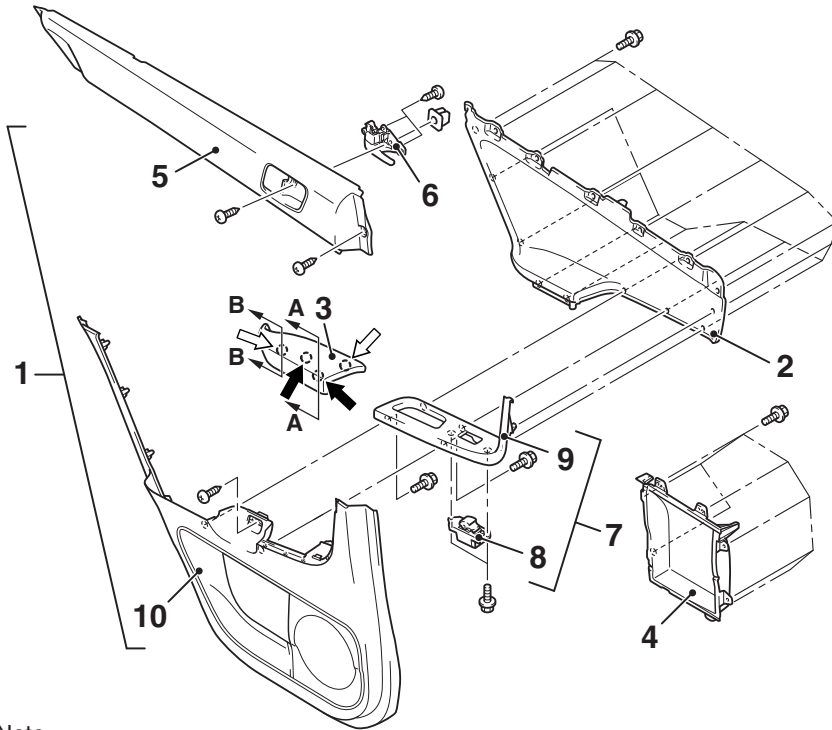
Removal steps (Continued)

11. Remote control mirror switch
12. Front door power window switch
13. Front power window switch panel
14. Front door trim lower

Required Special Tool:

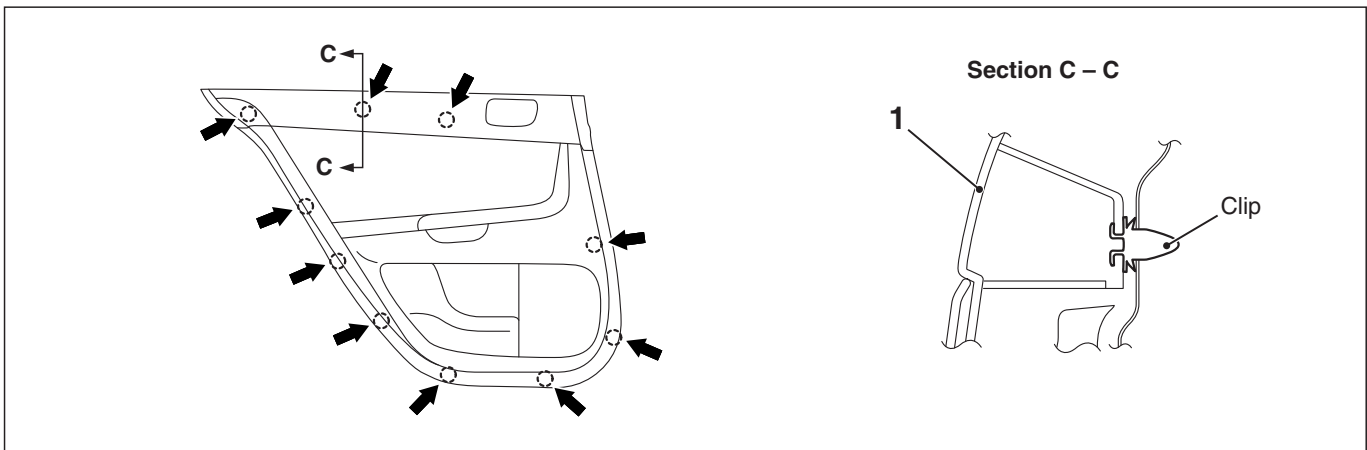
- MB990784: Ornament Remover

<Rear door trim>



Note

- ← : Clip positions
- ↔ : Claw positions



Removal steps

1. Rear door trim assembly
2. Rear door ornament
3. Rear door armrest <Vehicles for leather interior>
4. Rear door pocket
5. Rear door trim upper
6. Door inside handle

Removal steps (Continued)

7. Rear door power window switch panel assembly
8. Rear door power window switch
9. Rear power window switch panel
10. Rear door trim lower

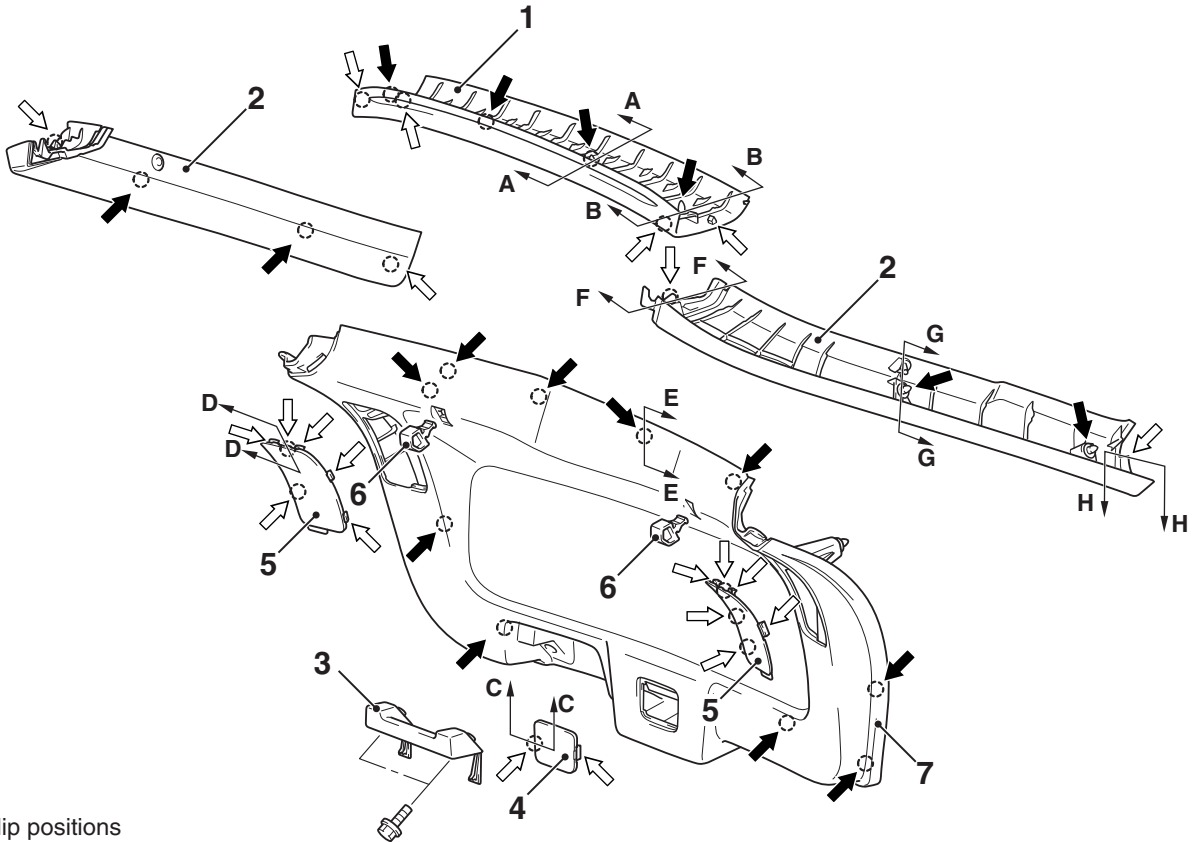
Required Special Tool:

- MB990784: Ornament Remover

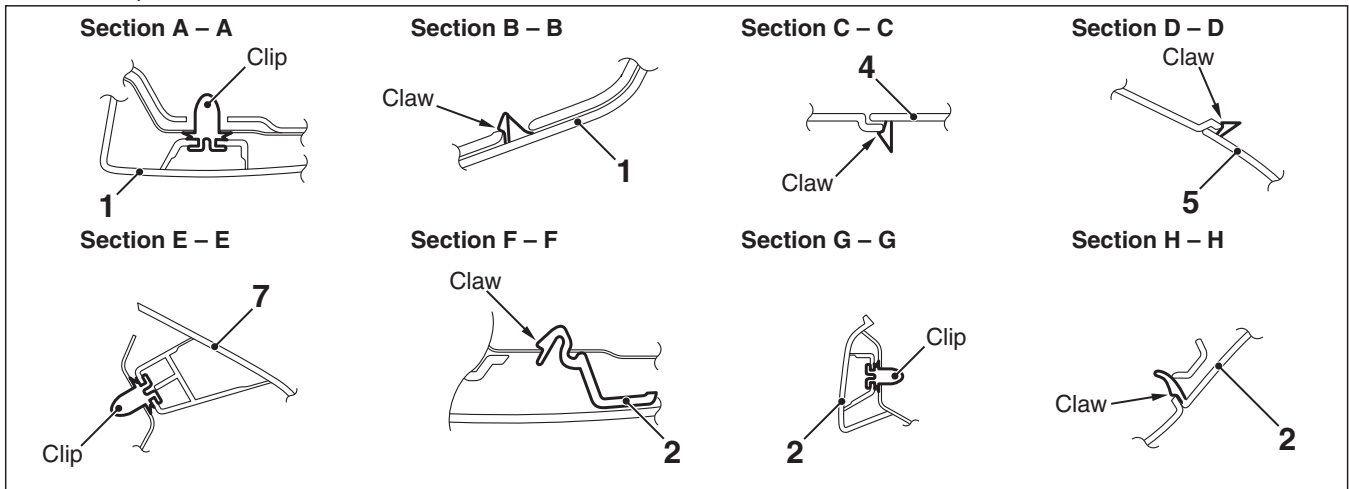
AC807471AC

**LIFTGATE TRIM
REMOVAL AND INSTALLATION**

M1521006500469



Note
 ← : Clip positions
 ⇐ : Claw positions



AC801427AB

Removal steps

1. Liftgate trim upper
2. Liftgate trim upper (RH/LH)
3. Liftgate grip
4. Liftgate lower trim lid

Removal steps (Continued)

5. Liftgate lower trim lid (RH/LH)
6. Liftgate damper
7. Liftgate lower trim

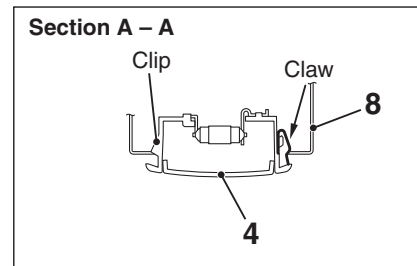
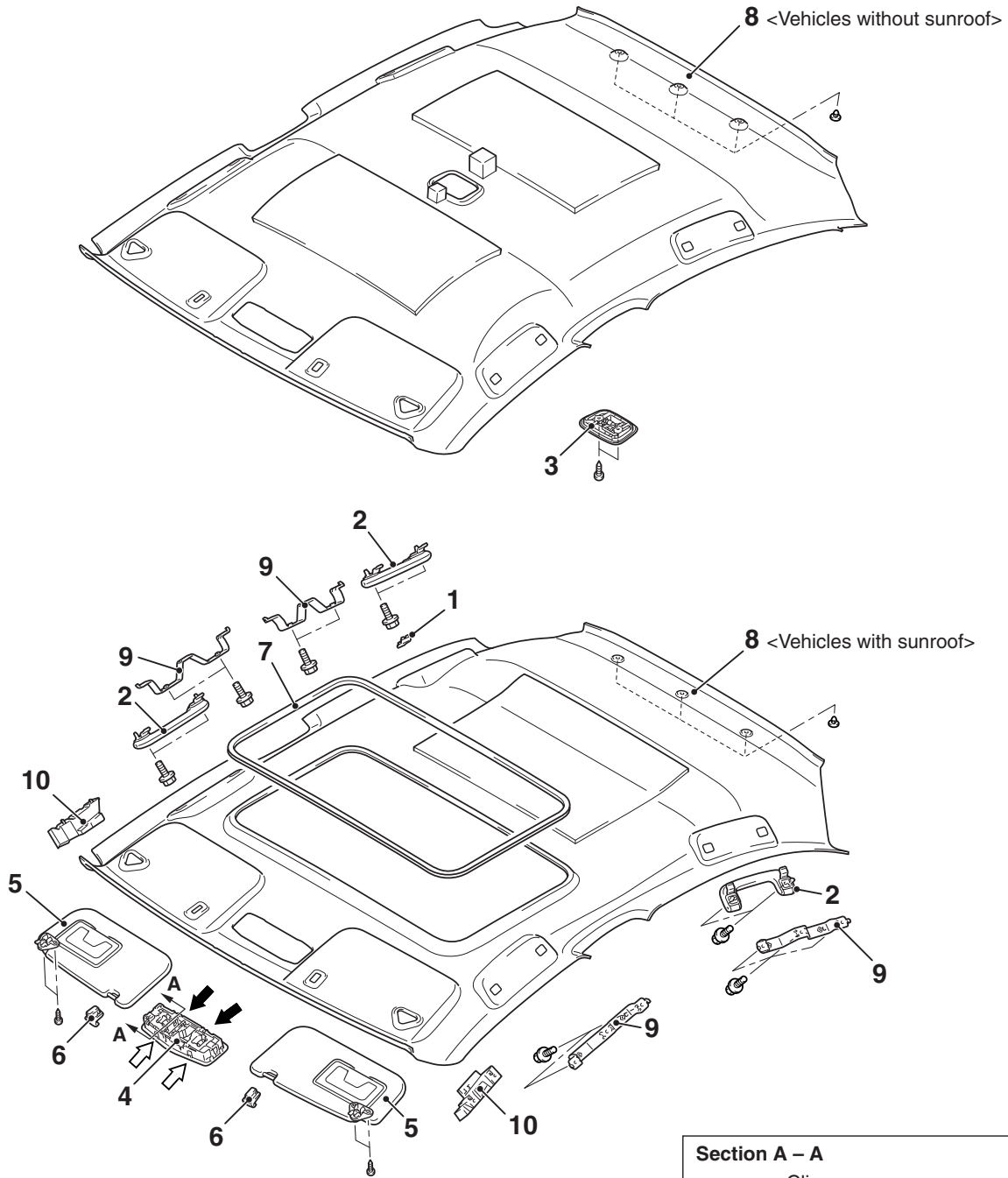
HEADLINING

REMOVAL AND INSTALLATION

M1521001401330

Pre-removal and Post-installation Operation

- Removal and Installation of Front Pillar Trim, Upper Center Pillar Trim, Rear Pillar Trim (Refer to P.52A-11).
- Removal and Installation of Rear Seatbelt Outer Assembly (RH or LH) (Refer to P.52A-36).



Note
 ← : Clip positions
 ↖ : Claw positions

AC807246AB

TSB Revision

Removal steps

1. Assist grip cover
2. Assist grip
3. Rear dome light <Vehicles without sunroof> <>
4. Front dome light
5. Sun visor assembly
6. Sun visor holder

<<A>>

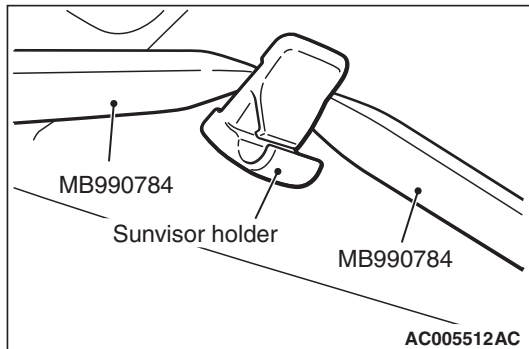
Removal steps (Continued)

7. Sunroof lid inner weather strip rear <Vehicles with sunroof>
8. Headlining
9. Assist grip bracket
10. Roof energy absorption box <Vehicles without curtain air bag>

REMOVAL SERVICE POINTS

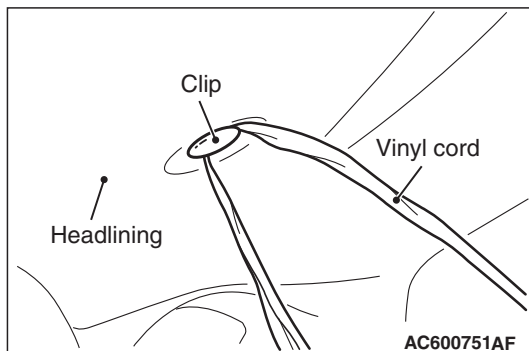
<<A>> SUN VISOR HOLDER REMOVAL

Insert the special tools ornament remover (MB990784) into the sun visor holder from its left and right sides to disengage the claws on the sun visor holder sides.



<> HEADLINING REMOVAL

To remove the clip, insert a vinyl cord into a clearance between the clip and the headlining, and pass it around the clip. Then, pull out the clip downwards while pulling the vinyl cord.

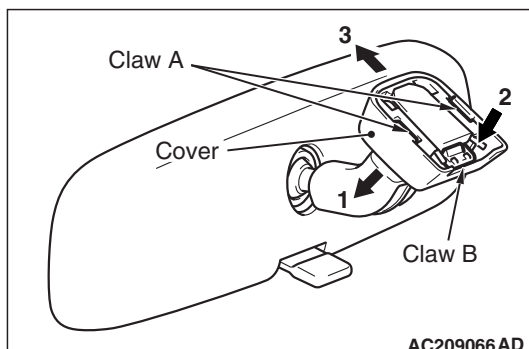


INTERIOR MIRROR

M1521002600442

REMOVAL SERVICE POINT

1. Disengage the claw A and lower the cover toward arrow 1 direction.
2. Push the claw B toward arrow 2 direction to unlock, and pull out the mirror toward arrow 3 direction.



SEAT ASSEMBLY

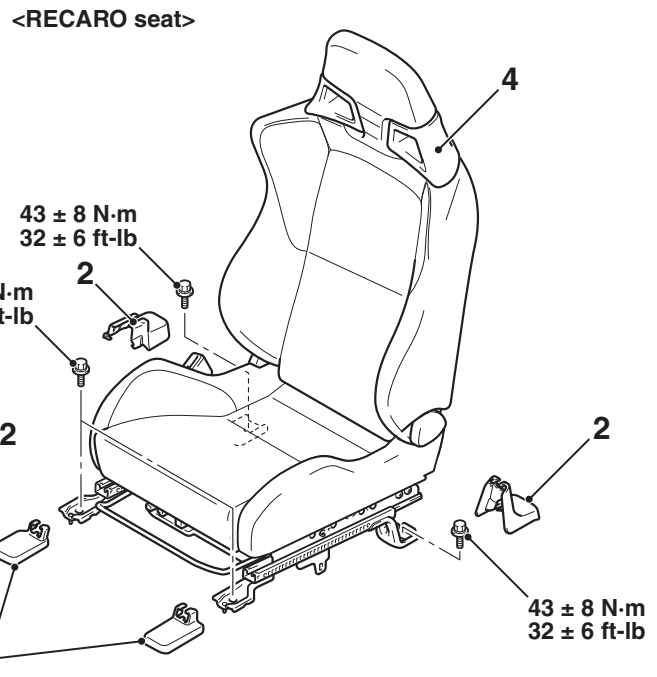
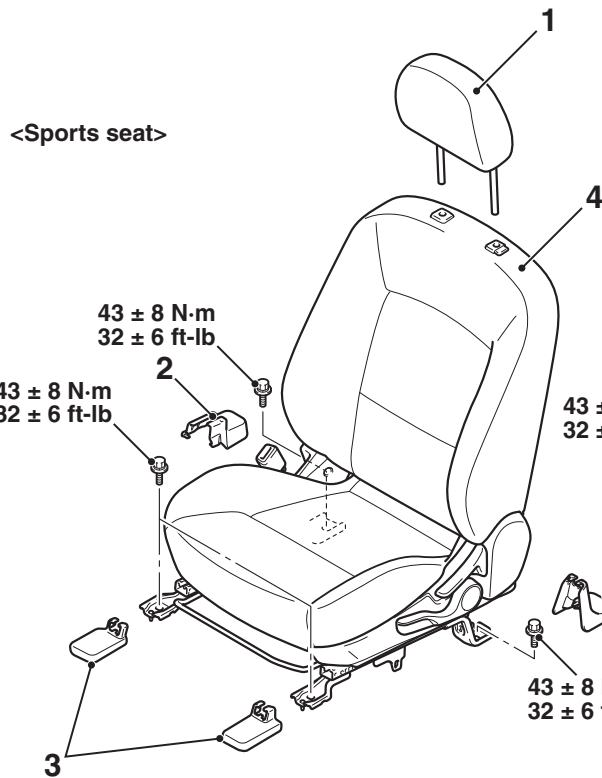
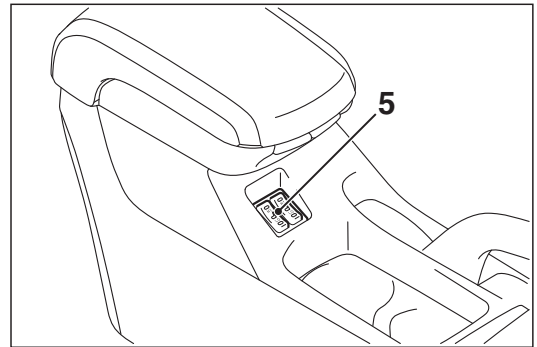
FRONT SEAT ASSEMBLY

REMOVAL AND INSTALLATION

M1522001301637

CAUTION

Before removing the front seat assembly, refer to GROUP 52B, Service Precautions P.52B-26 and Air Bag Module and Clock Spring P.52B-445.



AC801853AB

Removal steps

1. Headrest
2. Front seat anchor cover rear
3. Front seat anchor cover front
- Wiring harness connectors

Removal steps (Continued)

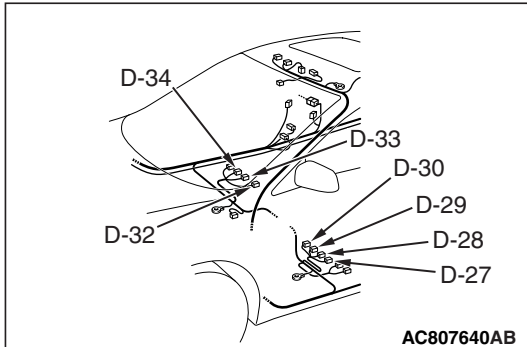
- >>A<<
4. Front seat assembly
 5. Heated seat switch <Vehicles with heated seat> (Refer to Floor Console Assembly Removal and Installation P.52A-9.)

<<A>>

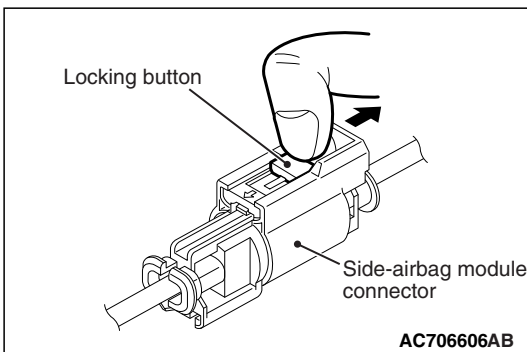
REMOVAL SERVICE POINT

**<<A>> WIRING HARNESS CONNECTORS DIS-
CONNECTION**

Disconnect the following wiring harness connectors:



Connector number	Connector name
D-27(4-black)	Heated seat assembly(LH) <Vehicles with heated seat>
D-28 (2 – gray)	Seat slide sensor (LH)
D-29 (4 – black)	Seat belt switch (Driver’s side)
D-30 (2 – yellow)	Side-airbag module (squib) (LH) <Vehicles with side-airbag>
D-32 (2 – yellow)	Side-airbag module (squib) (RH) <Vehicles with side-airbag>
D-33 (2 – black)	Seat belt switch (Passenger’s side)
D-34 (4 – black)	Heated seat assembly (RH) <Vehicles with heated seat>

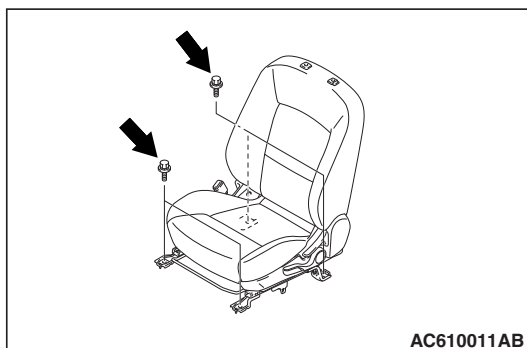


NOTE: When disconnecting the side air bag module connectors of D-30 and D-32, unlock the connector by sliding the locking button to the direction of the arrow as shown in the figure, and then disconnect the connector.

INSTALLATION SERVICE POINT

>>A<< FRONT SEAT ASSEMBLY INSTALLATION

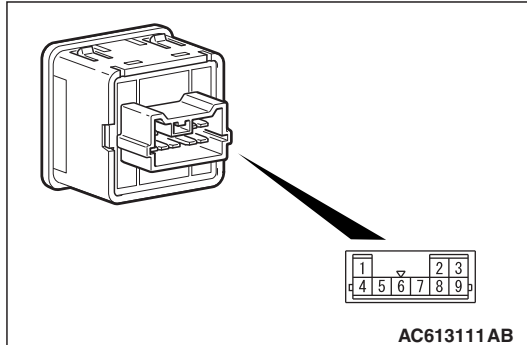
1. Confirm that both the seat slides are locked, and then temporarily tighten all the bolts shown in the figure so that no load is applied to the front seat cushion.
2. Tighten all the bolts to the specified torque.



INSPECTION

CONTINUITY TEST OF HEATED SEAT SWITCH

1. Check for continuity between terminals.



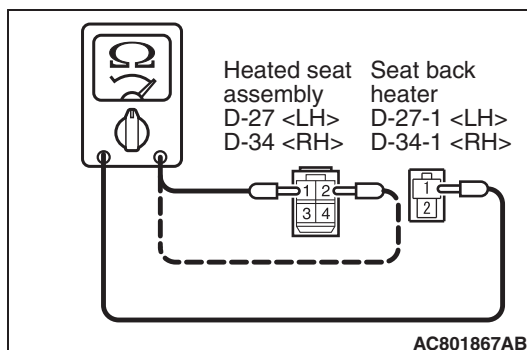
Item	Switch position	Tester connection	Specified condition
Driver's seat side	HI	1 -5, 3 -8	Continuity exists (2Ω or less)
	OFF	1 -5, 3 -5, 5 -8	Open circuit
	LO	3 -5	Continuity exists (2Ω or less)
Passenger's seat side	HI	4 -5, 8 -9	Continuity exists (2Ω or less)
	OFF	4 -5, 5 -8, 5 -9	Open circuit
	LO	5 -9	Continuity exists (2Ω or less)

2. Check that the indicator is lighted at HI or LO when battery voltage is supplied to terminal 5 and terminal 8 is grounded.
3. Check that illumination is lighted when battery voltage is supplied to terminals 2 and terminal 6.

SEAT CUSHION HEATER CHECK

Measure the resistance between terminals.

Standard value: At room temperature 20 °C

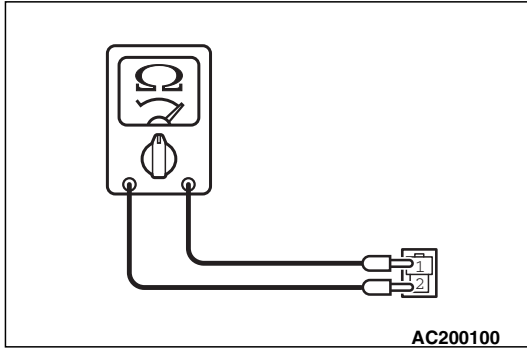


Tester connection	Specified condition
Heated seat assembly terminal 1 -Seat back heater terminal 1	4.83 - 5.85 Ω <Sports seat>
	3.84 - 4.69 Ω <RECARO seat>
Heated seat assembly terminal 2 -Seat back heater terminal 1	0.15 - 0.19 Ω <Sports seat>
	0.14 - 0.18 Ω <RECARO seat>

SEATBACK HEATER CHECK

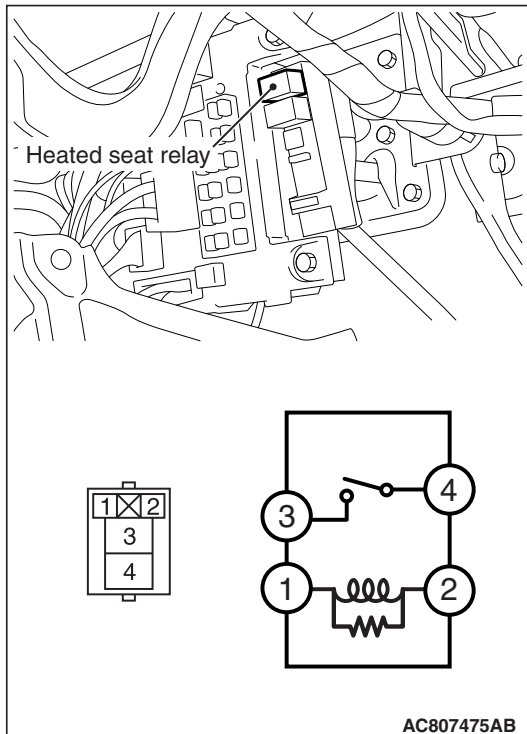
Measure the resistance between terminals.

Standard value: At room temperature 20 °C



Tester connection	Specified condition
terminal 1 –terminal 2	4.06 - 4.96 Ω <Sports seat>
	5.40 - 6.60 Ω <RECARO seat>

HEATED SEAT RELAY CONTINUITY CHECK

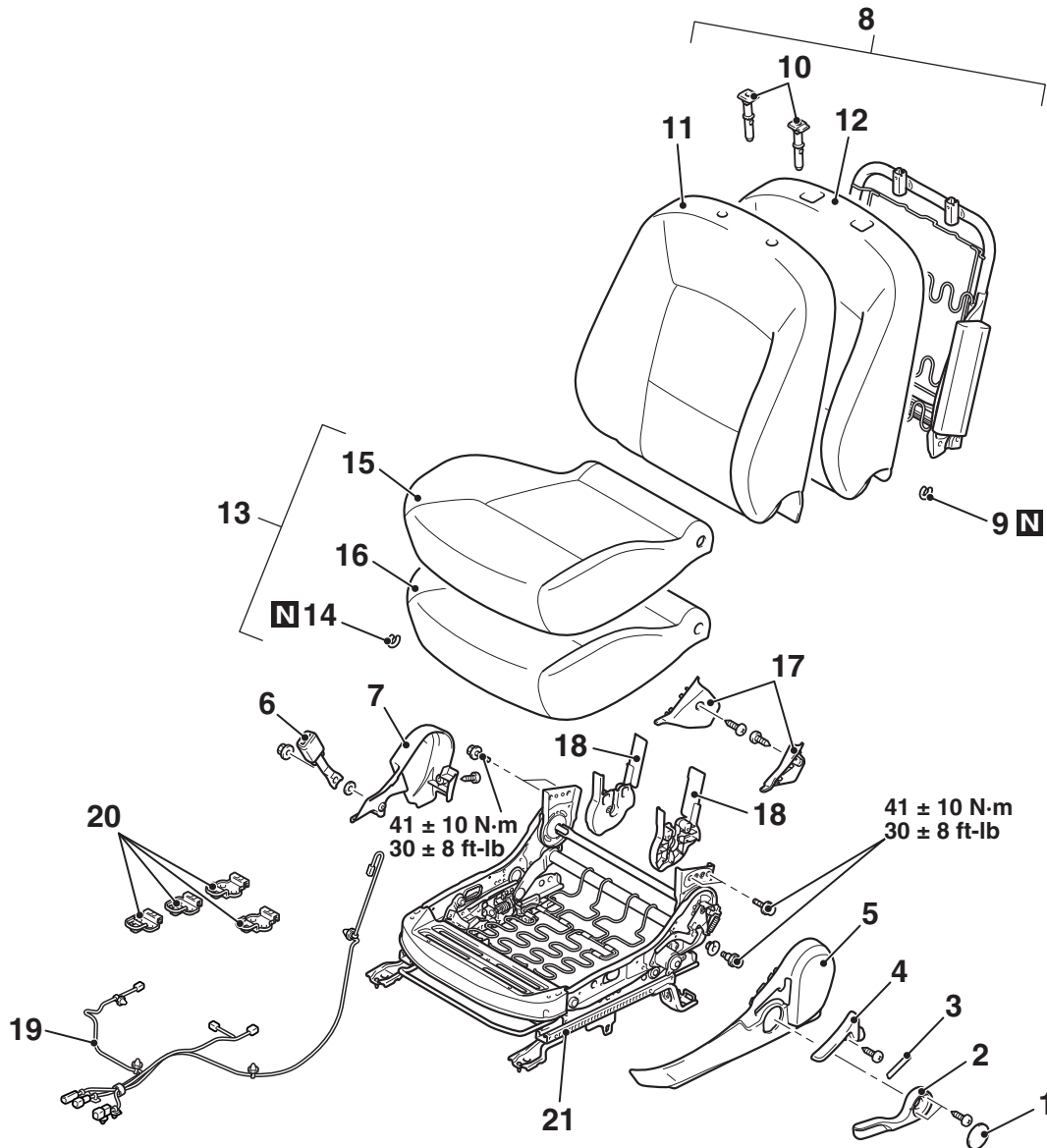


Battery voltage	Tester connection	Specified condition
Not applied	3 –4	Open circuit
<ul style="list-style-type: none"> • Connect terminal 2 to the positive battery terminal • Connect terminal 1 to the negative battery terminal 	3 –4	Continuity exists (2Ω or less)

DISASSEMBLY AND REASSEMBLY

M1522001501686

<SPORT SEAT>



AC700553AB

<<A>>

Disassembly steps

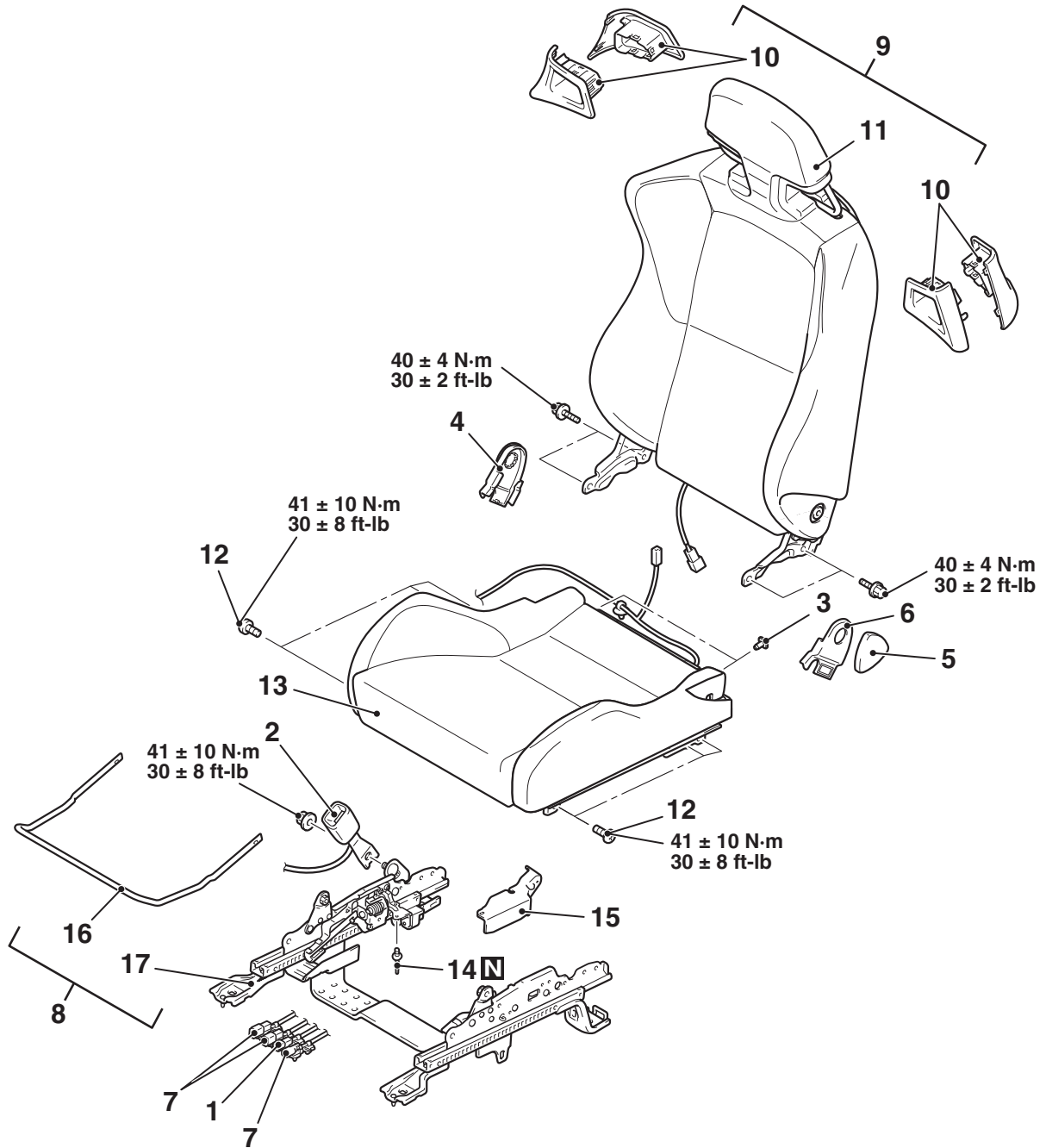
1. Height adjuster lever cap
2. Height adjuster lever
3. Reclining adjuster cap
4. Reclining adjuster lever
5. Side shield cover
6. Inner seat belt
7. Hinge cover
8. Front seatback pad and frame assembly
9. Hog ring
10. Headrest guide

<>

Disassembly steps (Continued)

11. Front seatback cover
12. Front seatback pad
13. Front seat cushion assembly
14. Hog ring
15. Front seat cushion cover
16. Front seat cushion pad
17. Side shield inner cover
18. Reclining adjuster cover
19. Harness
20. Hook
21. Front seat cushion frame

<RECARO SEAT>



AC807639AB

Disassembly steps

1. Seat belt harness connector
2. Seat belt inner
3. Seat cushion cover fixation clip
4. Hinge cover
5. Reclining adjuster knob
6. Side shield cover
7. Heated seat & Side air bag harness connector
8. Slide adjuster assembly

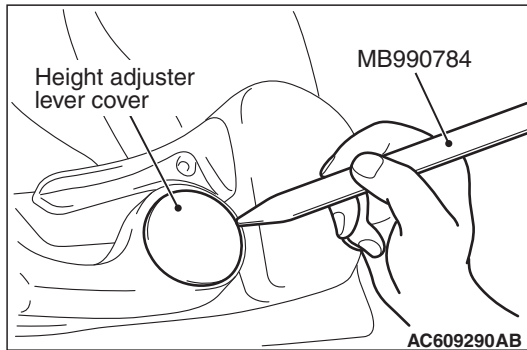
Disassembly steps (Continued)

9. Front seatback assembly
10. Headrest garnish
11. Front seatback
12. Slide rail adjuster mounting bolts
13. Front seat cushion
14. Rivet
15. Slide sensor cover
16. Front seat slide adjuster lever
17. Slide adjuster

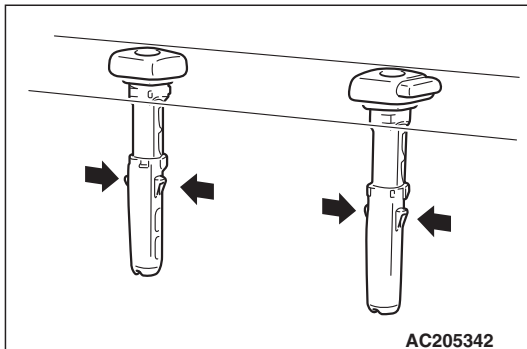
<<C>> >>A<<

DISASSEMBLY SERVICE POINTS**<<A>> HEIGHT ADJUSTER CAP REMOVAL**

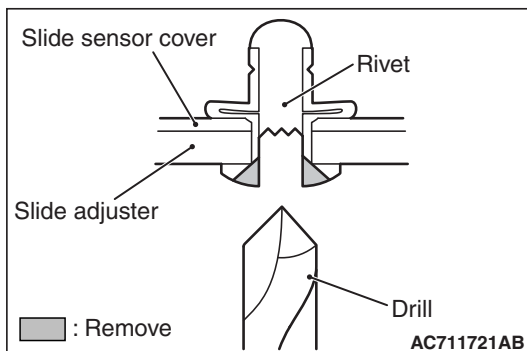
Use special tool MB990784 as shown to remove the height adjuster lever cap.

**<> HEADRESTRAINT GUIDE REMOVAL**

Peel of the front seatback cover and pad to access the headrest guides. Pull off the guides upwards while pushing the tabs (arrows) as shown.

**<<C>> RIVETS REMOVAL**

Use a drill [6.0 mm (0.24 inch)] to break the rivet by drilling a hole, and remove the rivet from slide adjuster. When breaking it, be careful not to damage the slide adjuster.

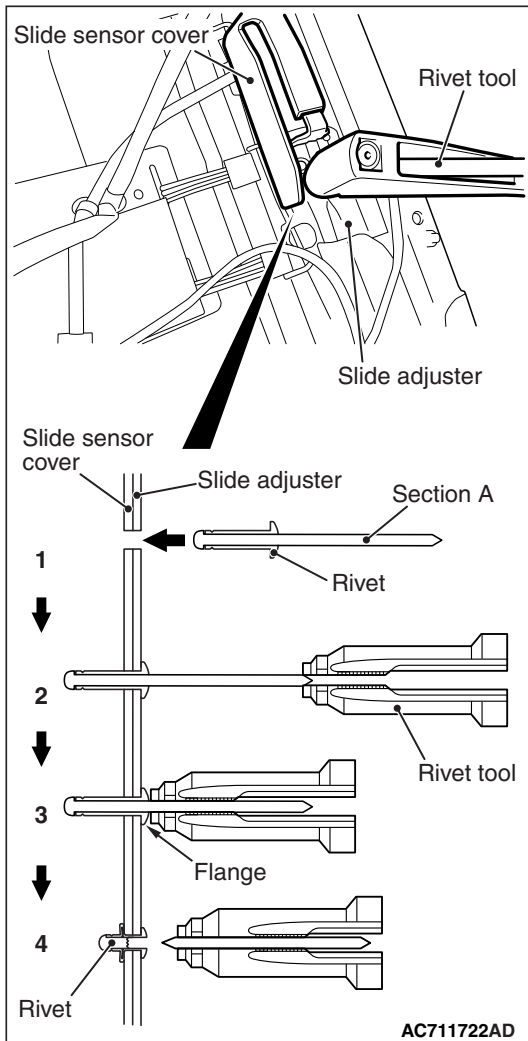


REASSEMBLY SERVICE POINT

>>A<< RIVETS INSTALLATION

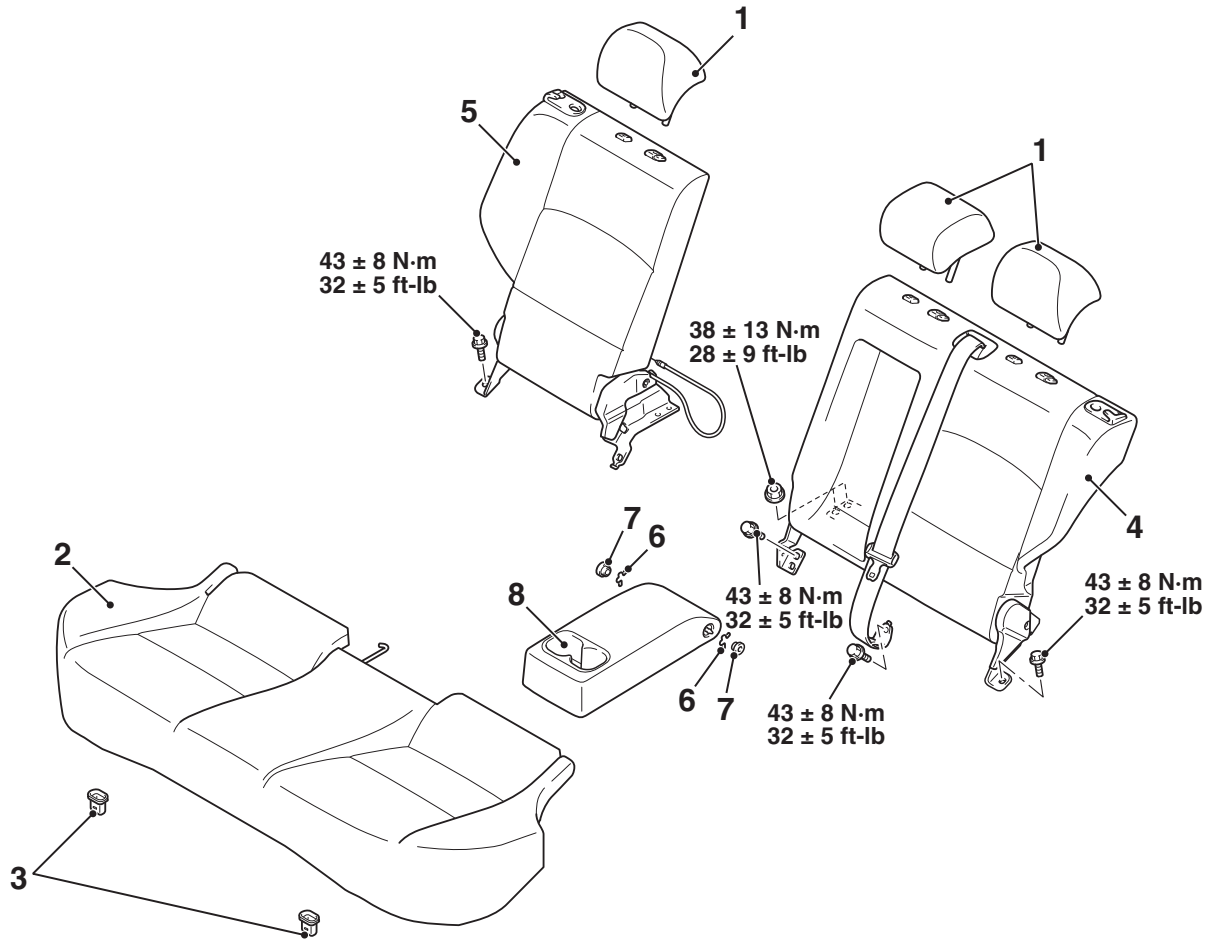
Rivet the slide sensor cover to the slide adjuster according to the procedure below.

1. Insert the rivets into the slide sensor cover and slide adjuster.
2. Insert "A" of the rivet into the rivet tool.
3. Pressing the flange surface of the rivet, move the handle of the rivet tool.
4. The thinnest point of "A" is cut and the rivet is held in the position.



REAR SEAT ASSEMBLY
REMOVAL AND INSTALLATION

M1522001800822



AC801834AB

Removal steps

- 1. Rear seat headrest
- >>B<< 2. Rear seat cushion assembly
- 3. Rear seat stopper
- >>A<< 4. Rear seatback assembly (LH)

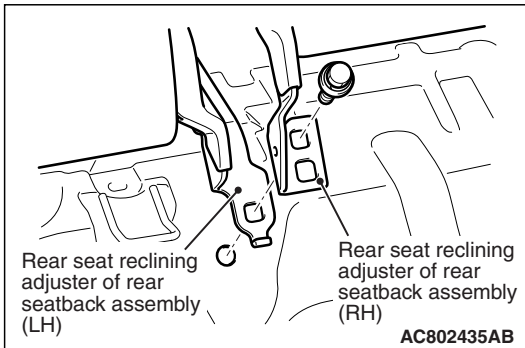
Removal steps (Continued)

- >>A<< 5. Rear seatback assembly (RH)
- 6. Rear seat snap ring
- 7. Rear seat bushing
- 8. Rear seat armrest

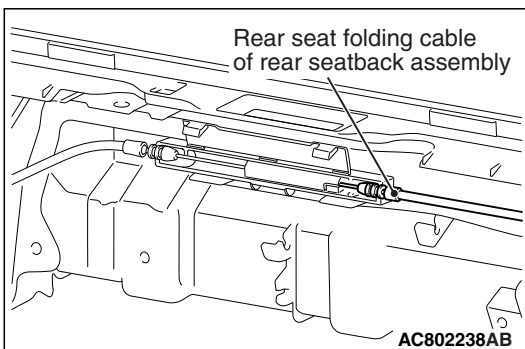
INSTALLATION SERVICE POINTS

>>A<<REAR SEATBACK ASSEMBLY (LH)/REAR SEATBACK ASSEMBLY (RH) INSTALLATION

1. Place the rear seat reclining adjuster of the rear seatback assembly (LH) on top of the rear seat reclining adjuster of the rear seatback assembly (RH) for installation.

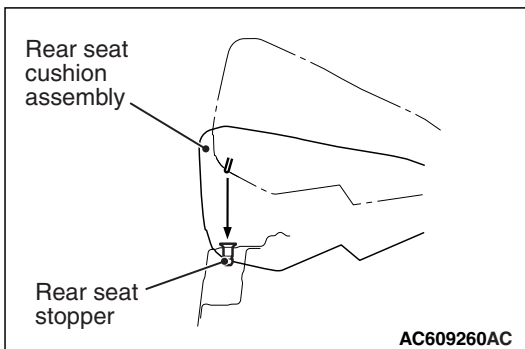


2. Among the three fixed positions, securely fit the rear seat folding cable in the center position.



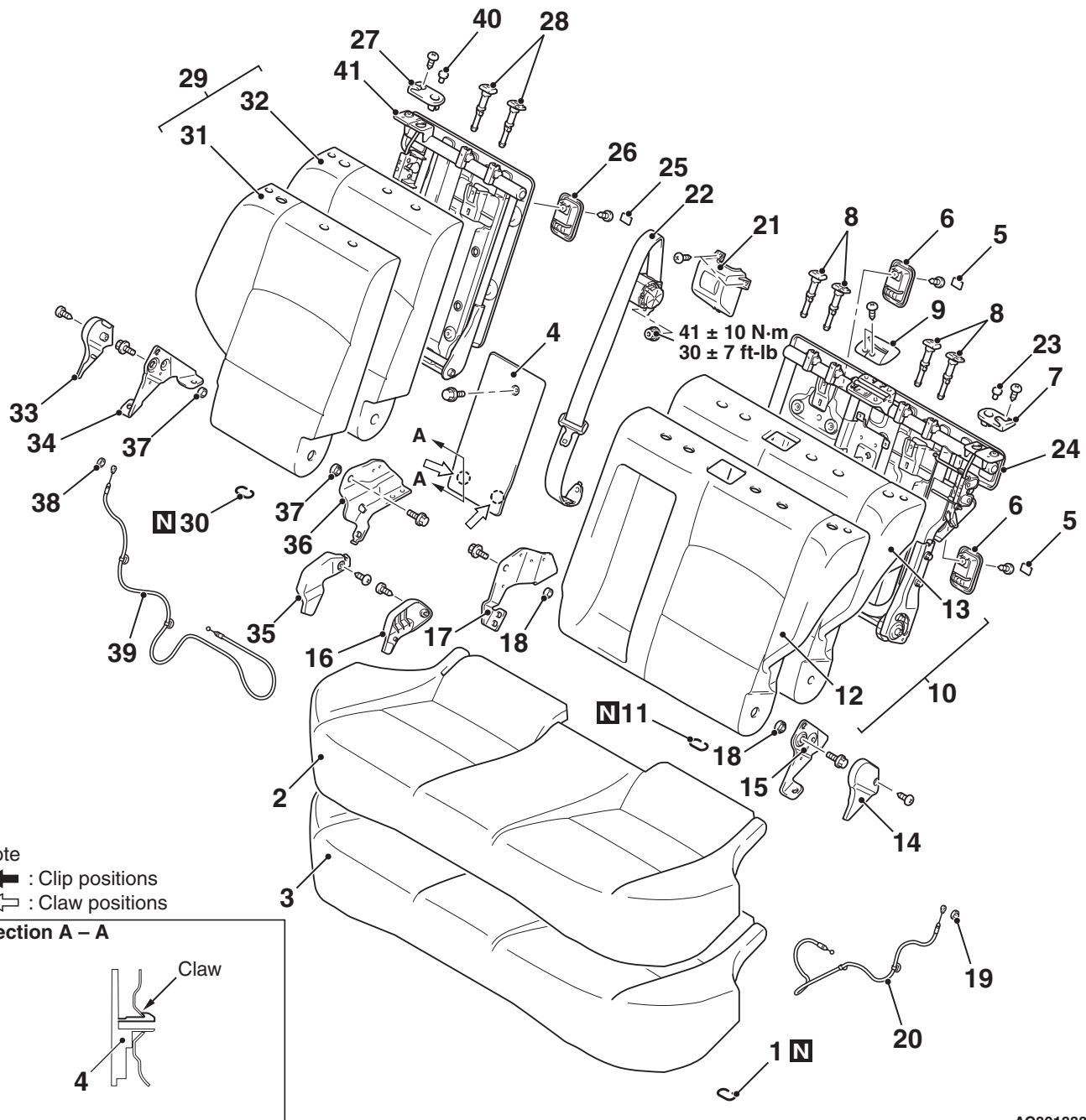
>>B<<REAR SEAT CUSHION ASSEMBLY INSTALLATION

- Fit the rear seat cushion into the rear seat hook securely.



DISASSEMBLY AND REASSEMBLY

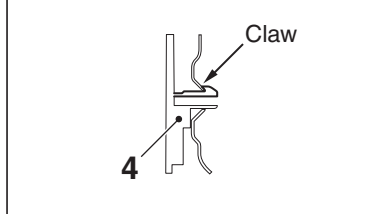
M1522002000926



Note

- ← : Clip positions
- ⇐ : Claw positions

Section A - A



AC801833AB

Disassembly steps

1. Hog ring
2. Rear seat cushion cover
3. Rear seat cushion pad
4. Rear seat armrest board
5. Rear seat cap
6. Rear seat catch cover
7. Rear seatbelt retractor cover
8. Rear seat headrest guide
9. Rear seatbelt sash guide cover
10. Rear seatback pad & cover
11. Hog ring
12. Rear seatback cover
13. Rear seatback pad

Disassembly steps (Continued)

14. Rear seat side hinge cover (LH)
15. Rear seat side hinge (LH)
16. Rear seat reclining adjuster cover (LH)
17. Rear seat reclining adjuster (LH)
18. Rear seat bushing
19. Rear seat spring nut
20. Rear seat folding cable
21. Rear seat ELR cover
22. Rear seat belt outer center
23. Rear seat folding knob
24. Rear seatback frame
25. Rear seat cap

<<A>>

<>

Disassembly steps (Continued)

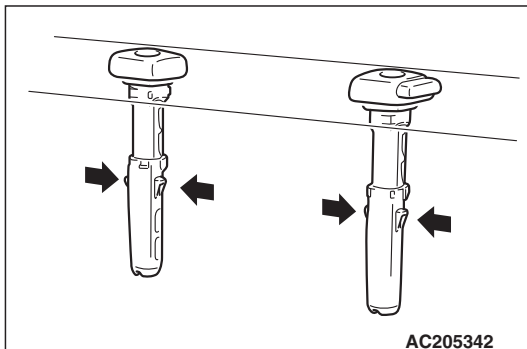
<<A>>

26. Rear seat catch cover
27. Rear seatbelt retractor cover
28. Rear seat headrest guide
29. Rear seatback pad & cover
30. Hog ring
31. Rear seatback cover
32. Rear seatback pad
33. Rear seat side hinge cover (RH)
34. Rear seat side hinge (RH)
35. Rear seat reclining adjuster cover (RH)
36. Rear seat reclining adjuster (RH)
37. Rear seat bushing
38. Rear seat spring nut
39. Rear seat folding cable
40. Rear seat folding knob
41. Rear seatback frame

DISASSEMBLY SERVICE POINTS

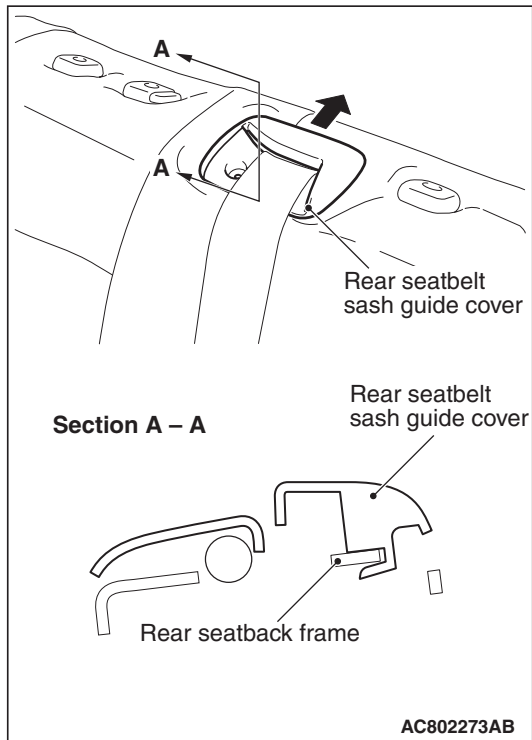
<<A>> REAR SEAT HEADRESTRAINT GUIDE REMOVAL

Peel off the rear seatback cover and pad to access the head-restraint guides. Pull off the guides upwards while pushing the tabs (arrows) as shown.



**<> REAR SEATBELT SASH GUIDE COVER
REMOVAL**

Remove the rear seat belt sash guide cover by pulling it toward the rear side of the rear seatback.



SEAT BELT

FRONT SEAT BELT

REMOVAL AND INSTALLATION

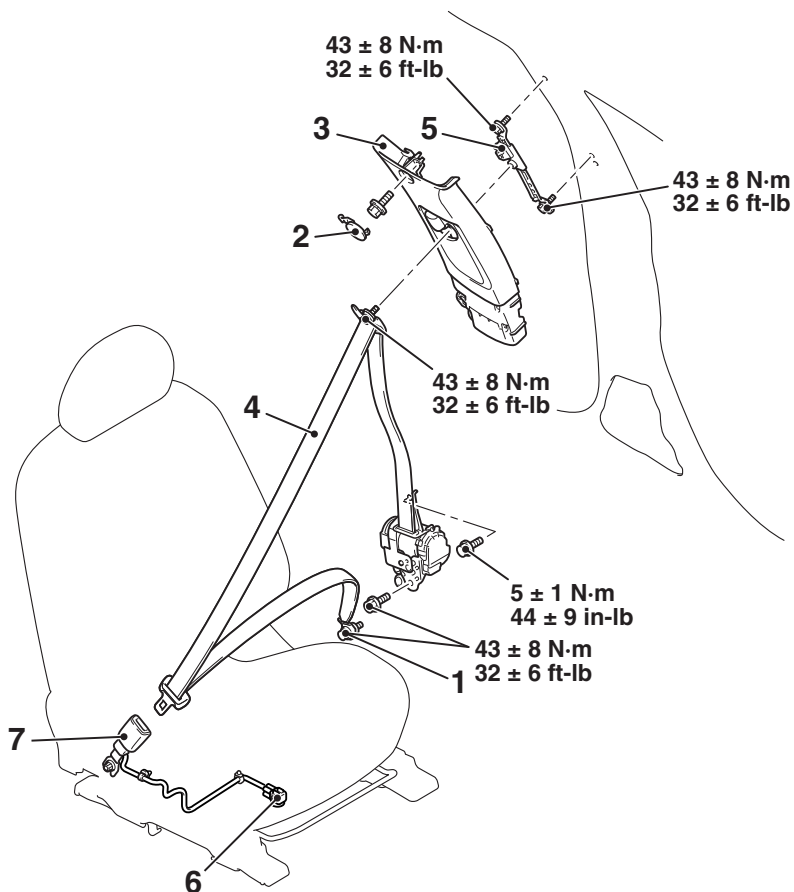
M1523001301146

CAUTION

SRS: Before removing and installing the seat belts with pre-tensioner, refer to GROUP 52B –SRS Service Precautions [P.52B-26](#) and Seat Belt with Pre-tensioner [P.52B-454](#).

Pre-removal and Post-installation Operation

- Turn the ignition key to the LOOK (OFF) position.
- Disconnect the negative battery terminal.



AC610305AD

Outer seat belt removal steps

1. Outer seat belt lower anchor bolt
2. Upper center pillar trim cap
 - Lower center pillar trim (Refer to [P.52A-11](#)).
3. Upper center pillar trim (Refer to [P.52A-11](#)).

Outer seat belt removal steps

4. Outer seat belt (Refer to GROUP 52B, Seat Belt with Pre-tensioner [P.52B-449](#)).
5. Adjustable seat belt anchor

Inner seat belt removal steps

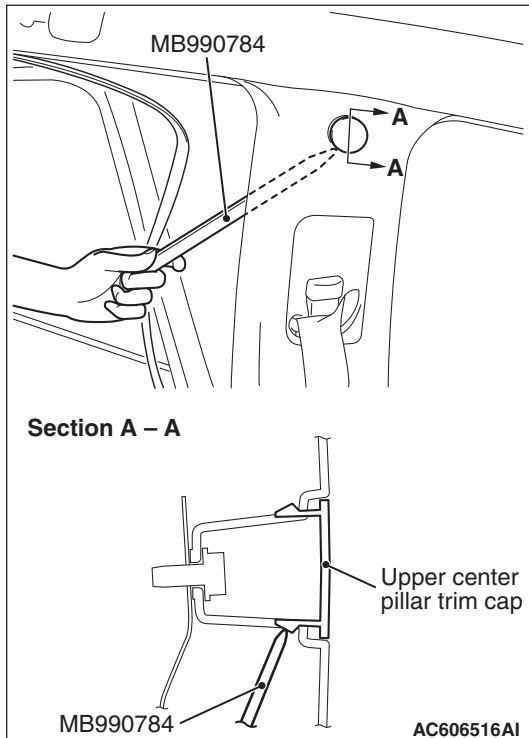
6. Harness connector
 - Side shield cover (Refer to [P.52A-24](#)).
7. Inner seat belt

<<A>>

REMOVAL SERVICE POINT

**<<A>> UPPER CENTER PILLAR TRIM CAP
REMOVAL**

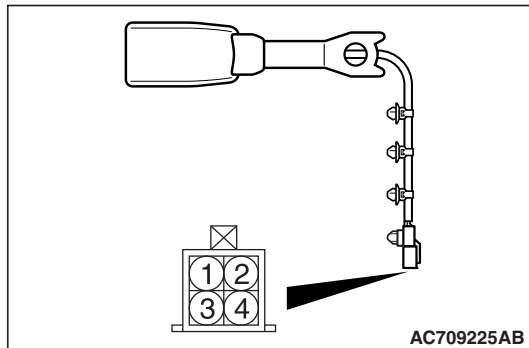
Remove the opening trim. Remove the trim cap by inserting the special tool ornament remover (MB990784) between the trim and body as shown in the illustration.



INSPECTION

M1523004400622

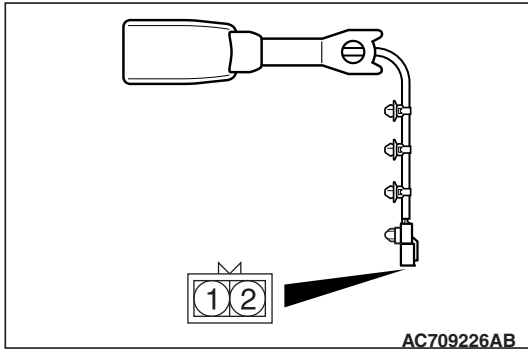
**SEAT BELT BUCKLE SWITCH CONTINUITY
CHECK (DRIVER'S SIDE)**



Item	Tester connection	Specified condition
Fastened seat belt	1 -2	Open circuit
Unfastened seat belt		Continuity exists (2Ω or less)

**SEAT BELT BUCKLE SWITCH CONTINUITY
CHECK (PASSENGER'S SIDE)**

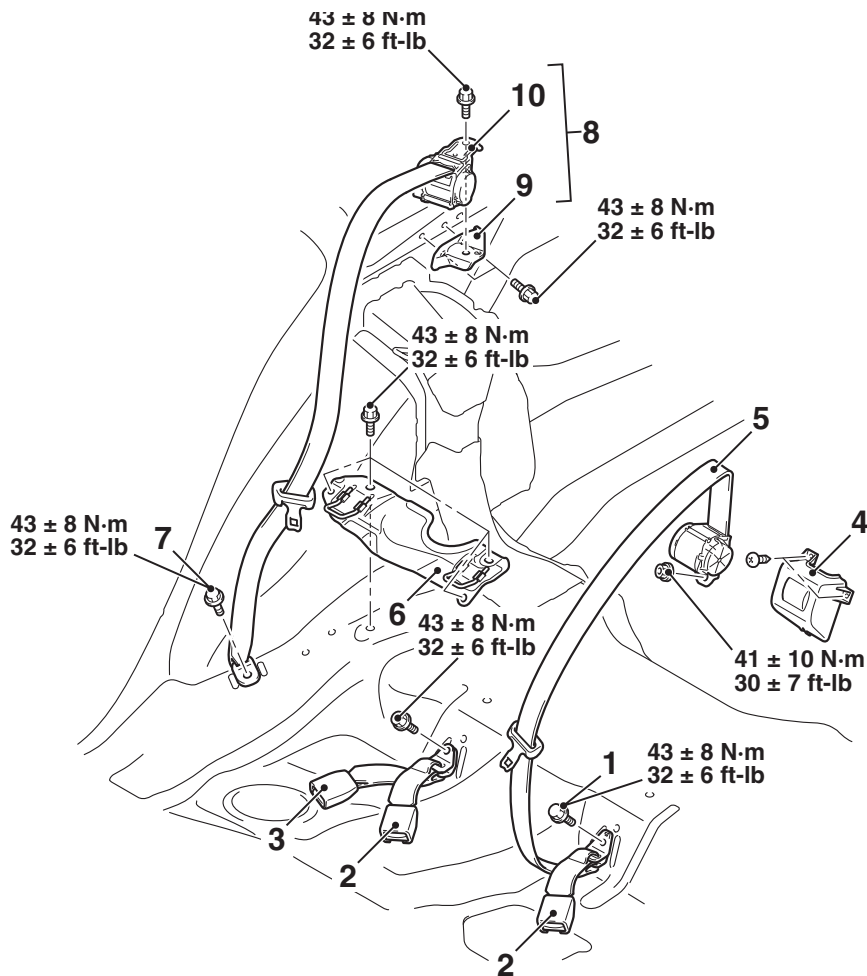
Power supply voltage: 5V



Check condition	Power supply connection	Normal condition
The seatbelt is fastened.	<ul style="list-style-type: none"> • Connect terminal No.1 to the negative terminal. • Connect terminal No.2 to the positive terminal. 	12 - 17 mA
The seatbelt is not fastened.		4 - 7 mA

REAR SEAT BELT REMOVAL AND INSTALLATION

M1523001601039



AC802027AC

Removal steps

- Rear seat cushion assembly (Refer to [P.52A-28](#)).
- 1. Rear seatbelt outer center lower anchor bolt
- 2. Rear seatbelt inner
- 3. Rear seatbelt inner center
- Rear seatback cover & pad (Refer to [P.52A-30](#)).
- 4. Rear seatbelt ELR cover

Removal steps (Continued)

- 5. Rear seatbelt outer center
- 6. Child restraint bracket
- 7. Rear seatbelt outer lower anchor bolt
 - Rear pillar trim (Refer to [P.52A-11](#)).
- 8. Rear seatbelt outer assembly
- 9. Rear seatbelt retractor bracket
- 10. Rear seatbelt outer